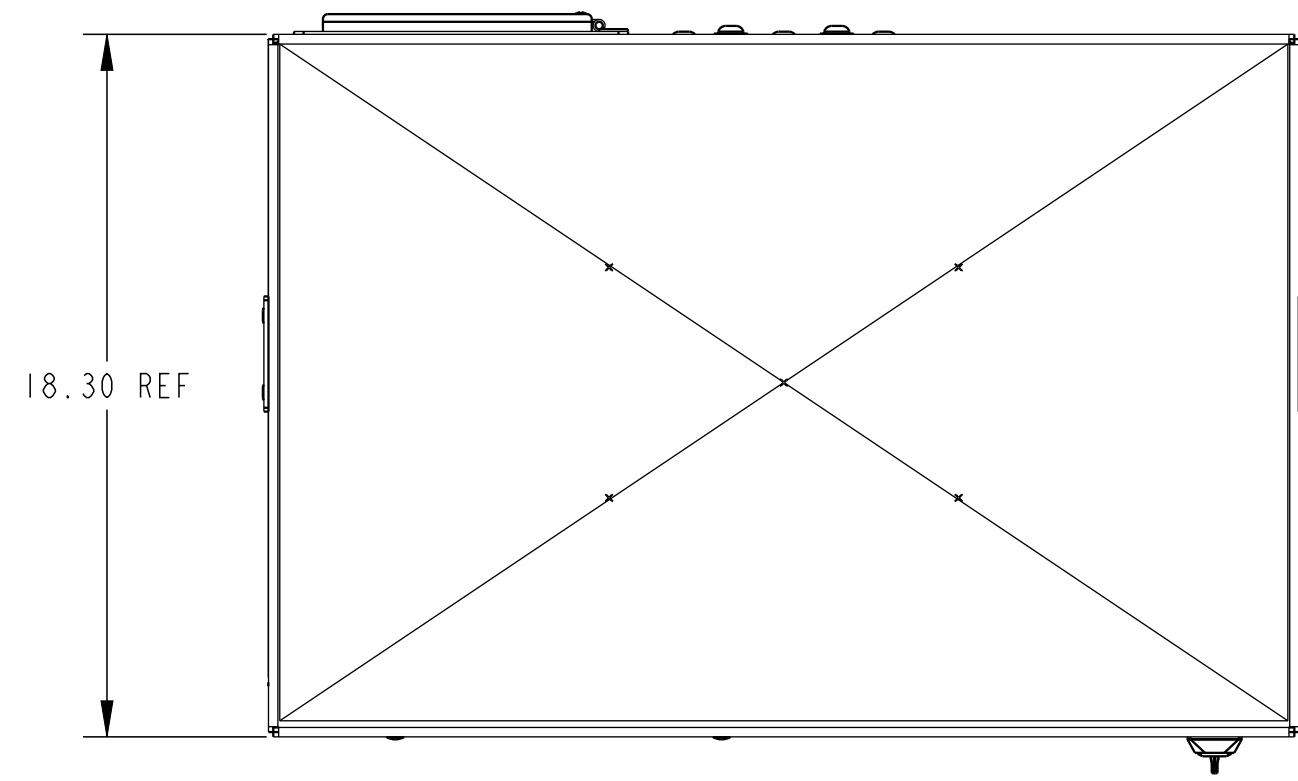
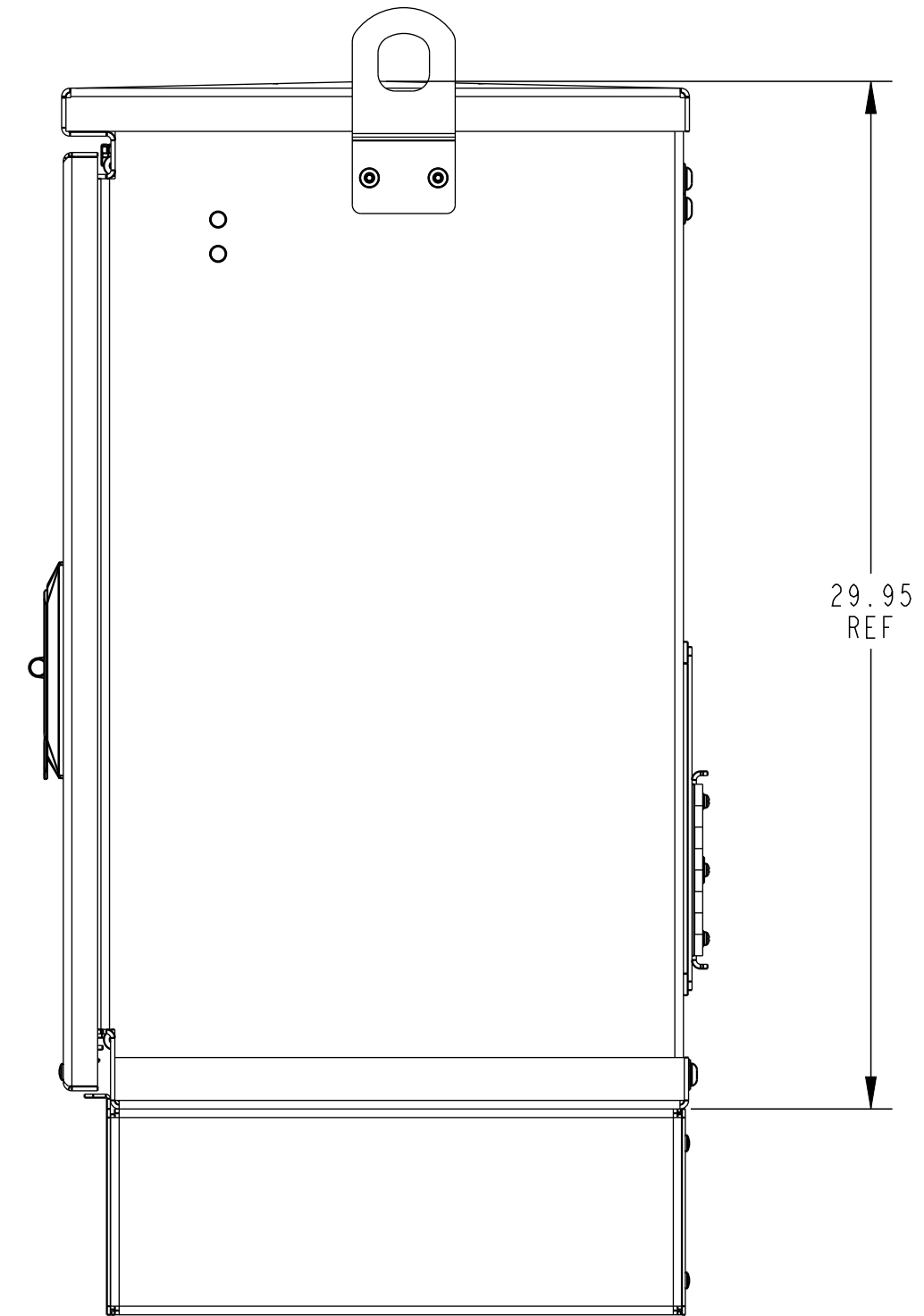
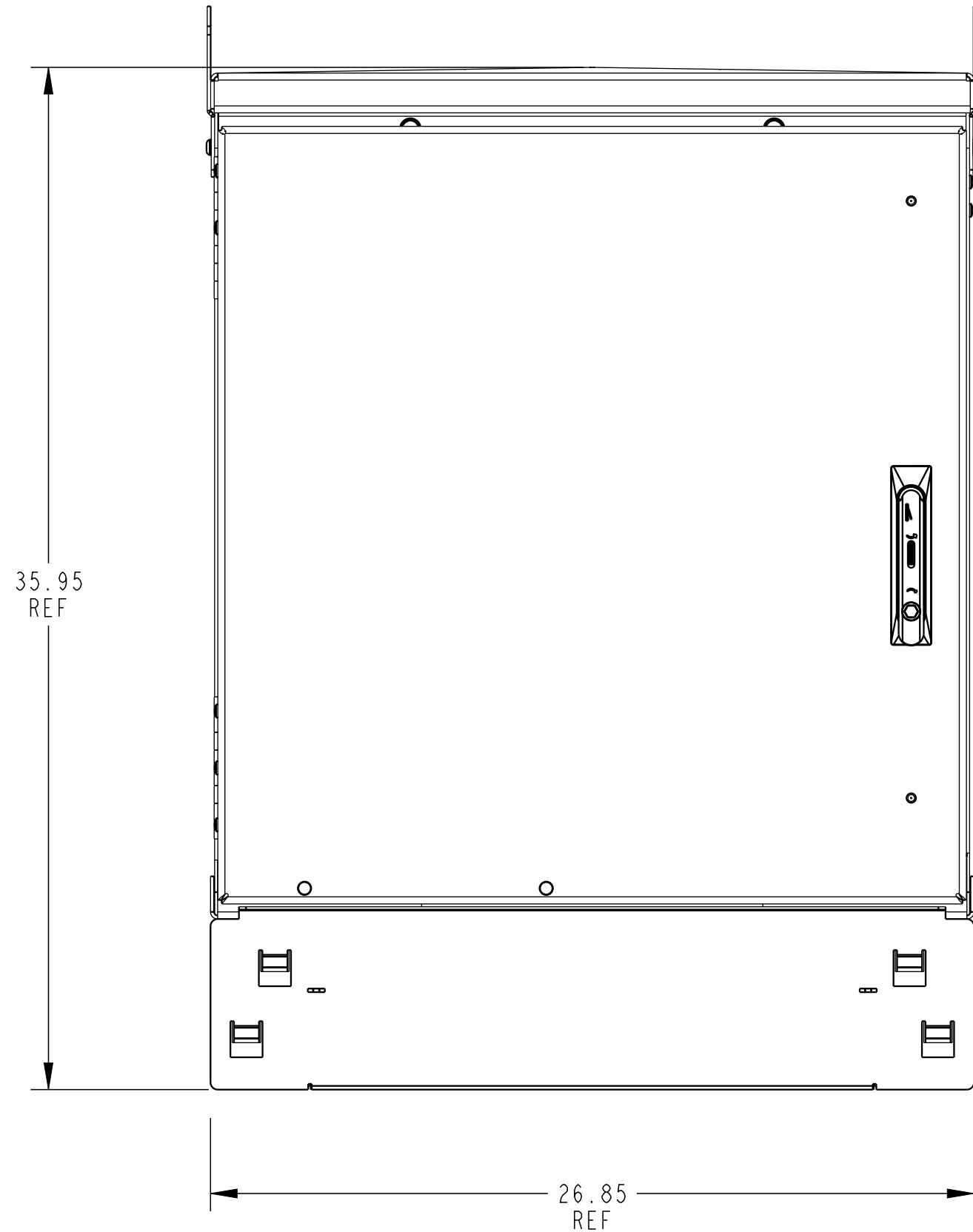


REV	MCO	DWN	DATE
C	40022627MCO	JST	19-JUN-15
D	40032857MCO	RCR	17-AUG-16



**NOTES:**

1. CONTACT THE "TAC" TEAM TO GET A COPY OF THE RE-SKIN PROCEDURE.



© 2016 COMMSCOPE, INC. CONFIDENTIAL  
 NOTICE: THESE DRAWINGS AND SPECIFICATIONS  
 ARE THE PROPRIETARY PROPERTY OF  
 COMMSCOPE, INC. AND MAY BE USED ONLY FOR THE  
 SPECIFIC PURPOSE AUTHORIZED IN WRITING BY  
 COMMSCOPE, INC.

TITLE SHAW, INST DRAWING,  
 288 FDH3000

ALL DIMS AND TOLERANCES .XX:±N/A  
 ARE INCHES UNLESS .XXX:±N/A  
 OTHERWISE SPECIFIED ANGULAR:±N/A

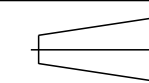
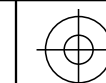
C DRAWING NUMBER D  
 SIZE 300001748601 REV

COMMSCOPE, INC.

DO NOT SCALE DRAWING

ENGR: GABRIEL VARELA C.  
 DWN: GABRIEL VARELA C.

SHT. 1 OF 4



**DIMENSIONS IN INCHES  
 THIRD ANGLE PROJECTION**

A

B

C

D

1

2

3

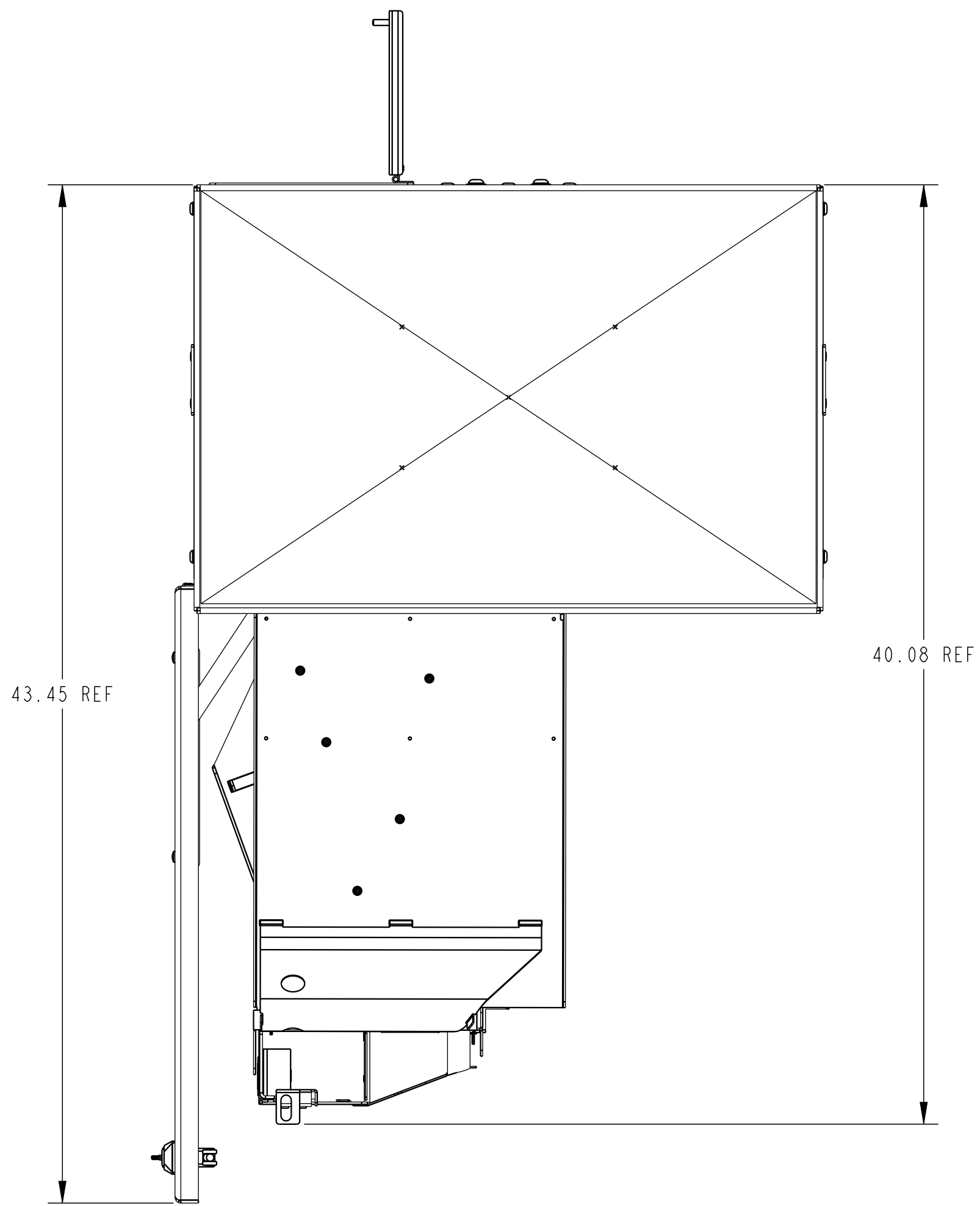
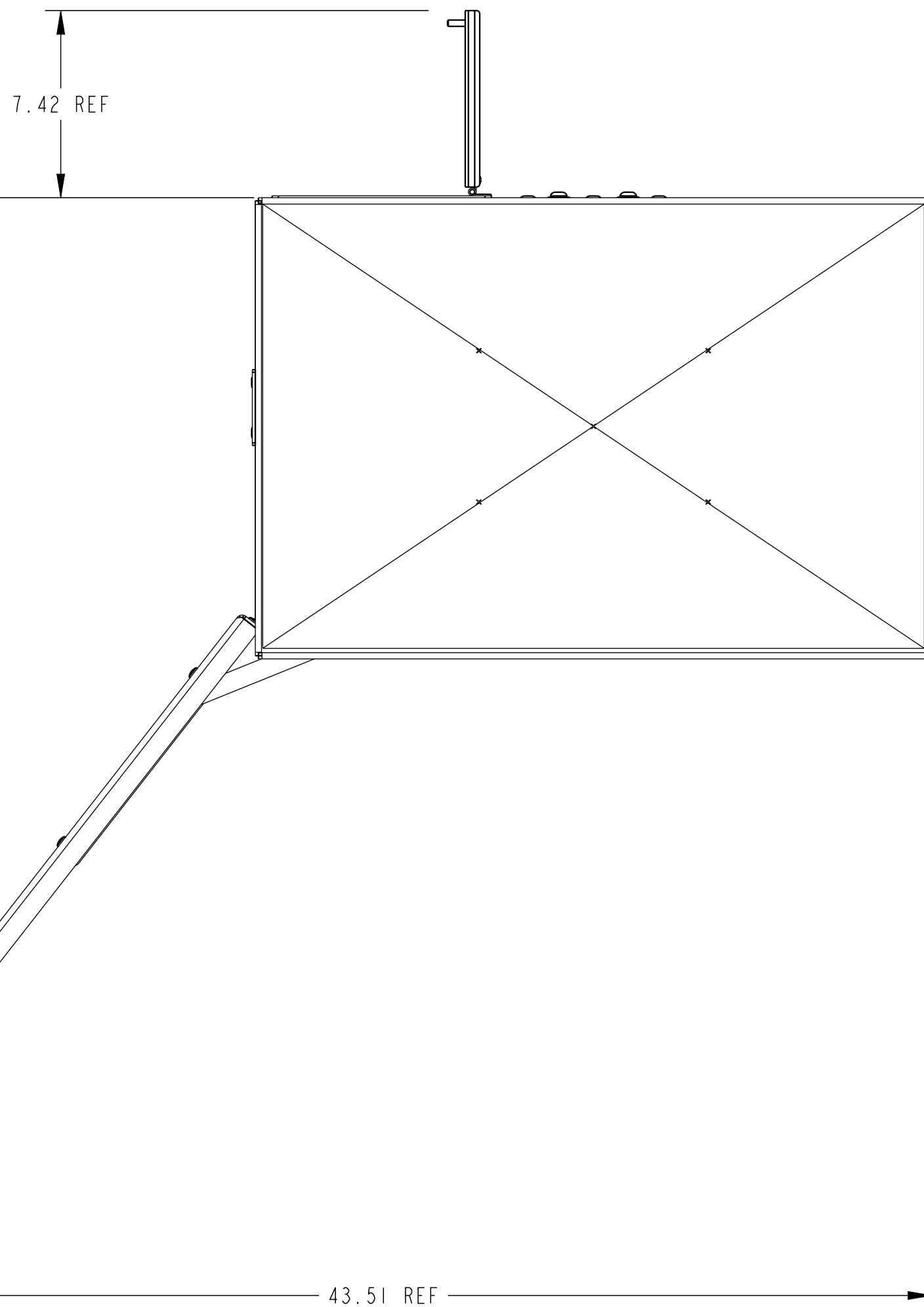
4

1

2

3

4



COMMSCOPE, INC.

© 2016 COMMSCOPE, INC. CONFIDENTIAL  
 NOTICE: THESE DRAWINGS AND SPECIFICATIONS  
 ARE THE PROPRIETARY PROPERTY OF  
 COMMSCOPE, INC. AND MAY BE USED ONLY FOR THE  
 SPECIFIC PURPOSE AUTHORIZED IN WRITING BY  
 COMMSCOPE, INC.

TITLE SHAW, INST DRAWING,  
 288 FDH3000

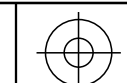
ALL DIMS AND TOLERANCES .XX:±N/A  
 ARE INCHES UNLESS .XXX:±N/A  
 OTHERWISE SPECIFIED ANGULAR:±N/A

C SIZE	DRAWING NUMBER 300001748601	D REV
-----------	--------------------------------	----------

DO NOT SCALE DRAWING

ENGR: GABRIEL VARELA C.  
 DWN: GABRIEL VARELA C.

SHT. 2 OF 4



DIMENSIONS IN INCHES  
THIRD ANGLE PROJECTION

A

B

C

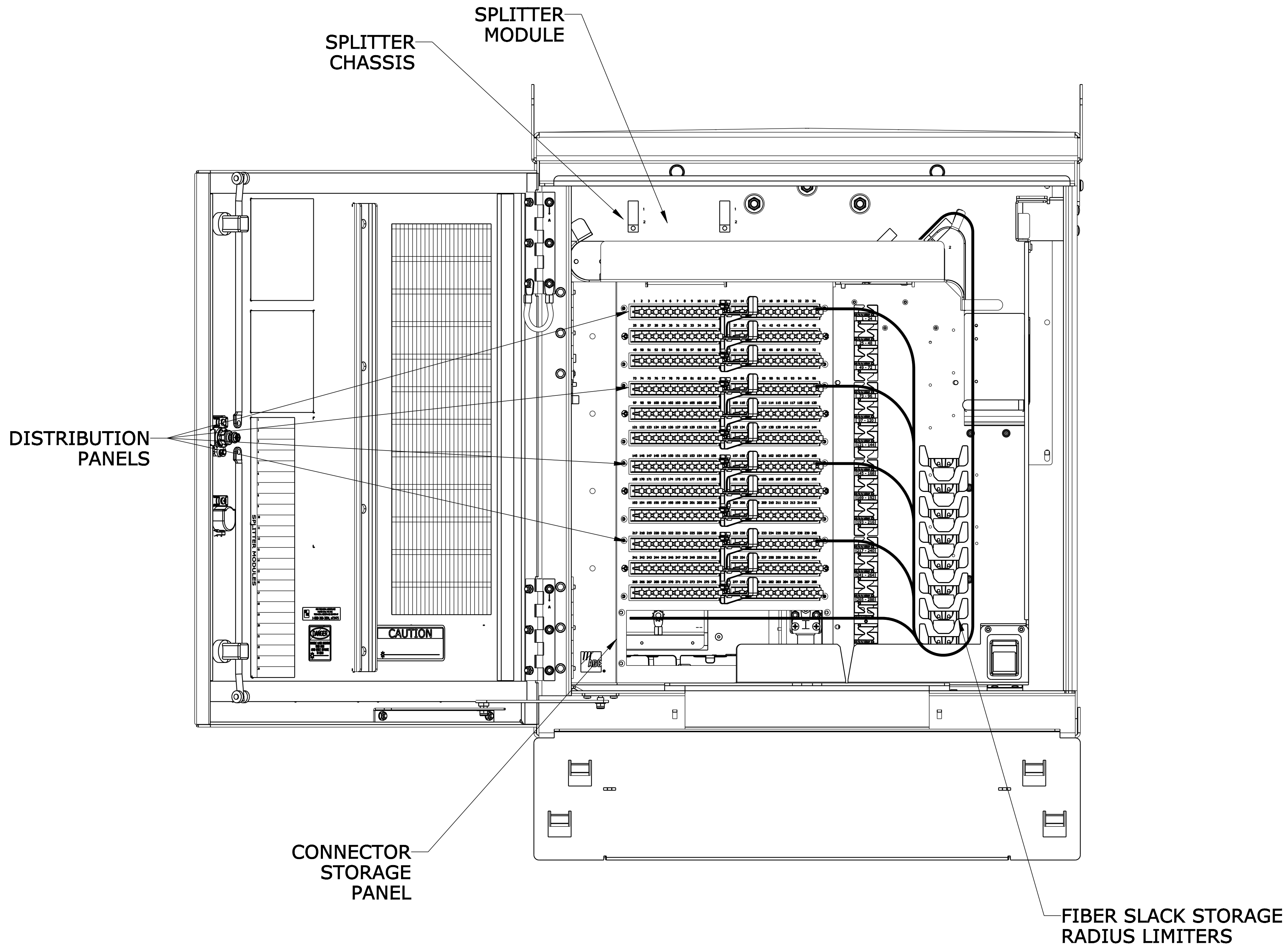
D

1

2

3

4



COMMSCOPE, INC.

© 2016 COMMSCOPE, INC. CONFIDENTIAL  
 NOTICE: THESE DRAWINGS AND SPECIFICATIONS  
 ARE THE PROPRIETARY PROPERTY OF  
 COMMSCOPE, INC. AND MAY BE USED ONLY FOR THE  
 SPECIFIC PURPOSE AUTHORIZED IN WRITING BY  
 COMMSCOPE, INC.

ALL DIMS AND TOLERANCES .XX:±N/A  
 ARE INCHES UNLESS .XXX:±N/A  
 OTHERWISE SPECIFIED ANGULAR:±N/A

DO NOT SCALE DRAWING

TITLE		SHAW, INST DRAWING, 288 FDH3000	
C	DRAWING NUMBER	D	REV
SIZE	300001748601		
ENGR: GABRIEL VARELA C.		SHT. 3 OF 4	
DWN: GABRIEL VARELA C.			

DIMENSIONS IN INCHES  
 THIRD ANGLE PROJECTION

A

B

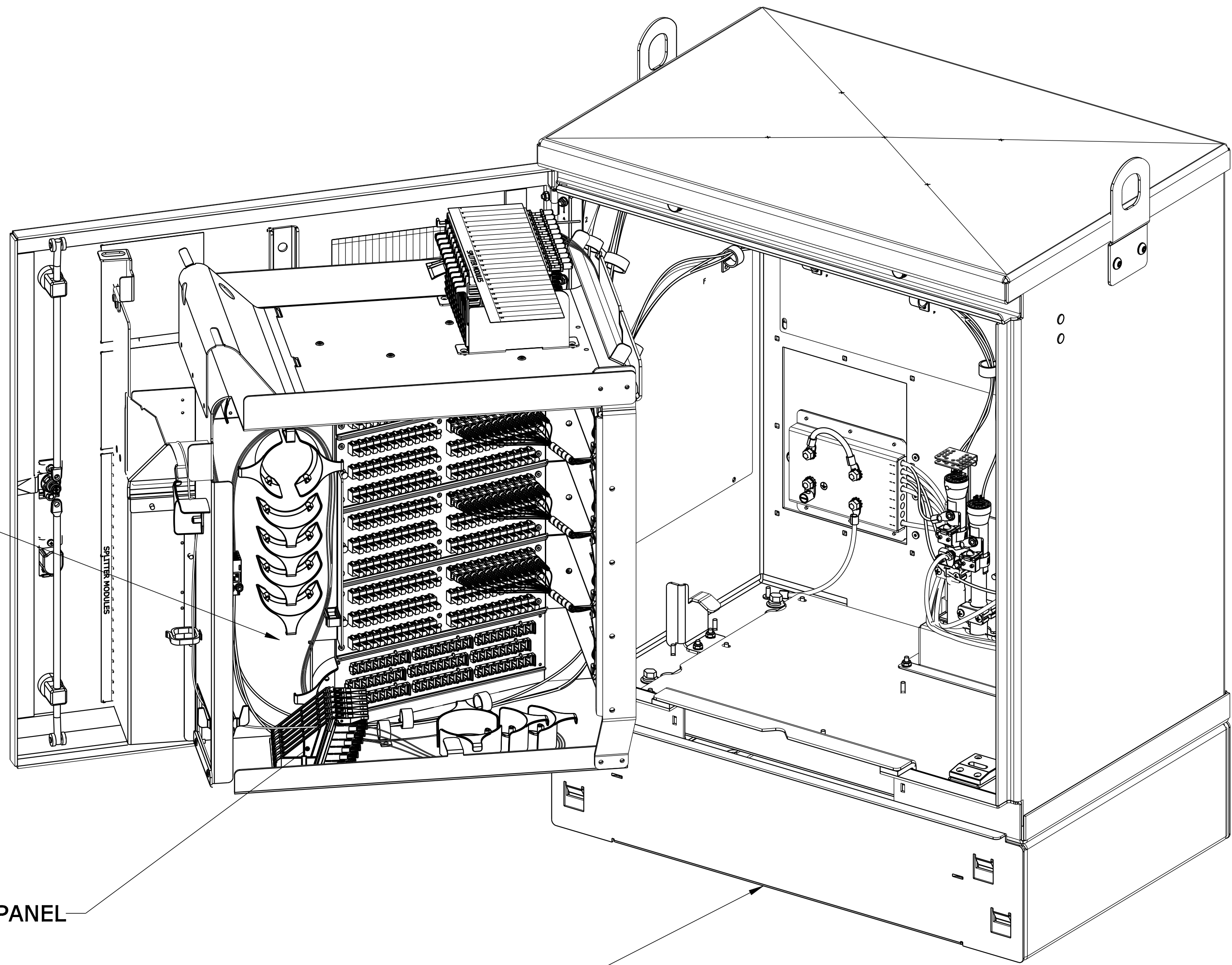
C

D

FEEDER  
PANEL

PATCH PANEL

OPEN DOOR  
TO REMOVE  
FRONT COVER.



SPLITTER  
MODULES

COMMSCOPE, INC.

INFORMATION ON THIS DOCUMENT IS  
PROPRIETARY TO TE CONNECTIVITY AND  
SHALL NOT BE USED, COPIED, REPRODUCED OR  
DISCLOSED IN WHOLE OR IN PART WITHOUT  
WRITTEN CONSENT OF TE CONNECTIVITY.

TITLE SHAW, INST DRAWING,  
288 FDH3000

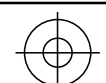
ALL DIMS AND TOLERANCES .XX:±N/A  
ARE INCHES UNLESS .XXX:±N/A  
OTHERWISE SPECIFIED ANGULAR:±N/A

DRAWING NUMBER 300001748601

DO NOT SCALE DRAWING

ENGR: GABRIEL VARELA C.  
DWN: GABRIEL VARELA C.

SHT. 4 OF 4



DIMENSIONS IN INCHES  
THIRD ANGLE PROJECTION

A

B

C

1

2

3

4

1

2

3

4