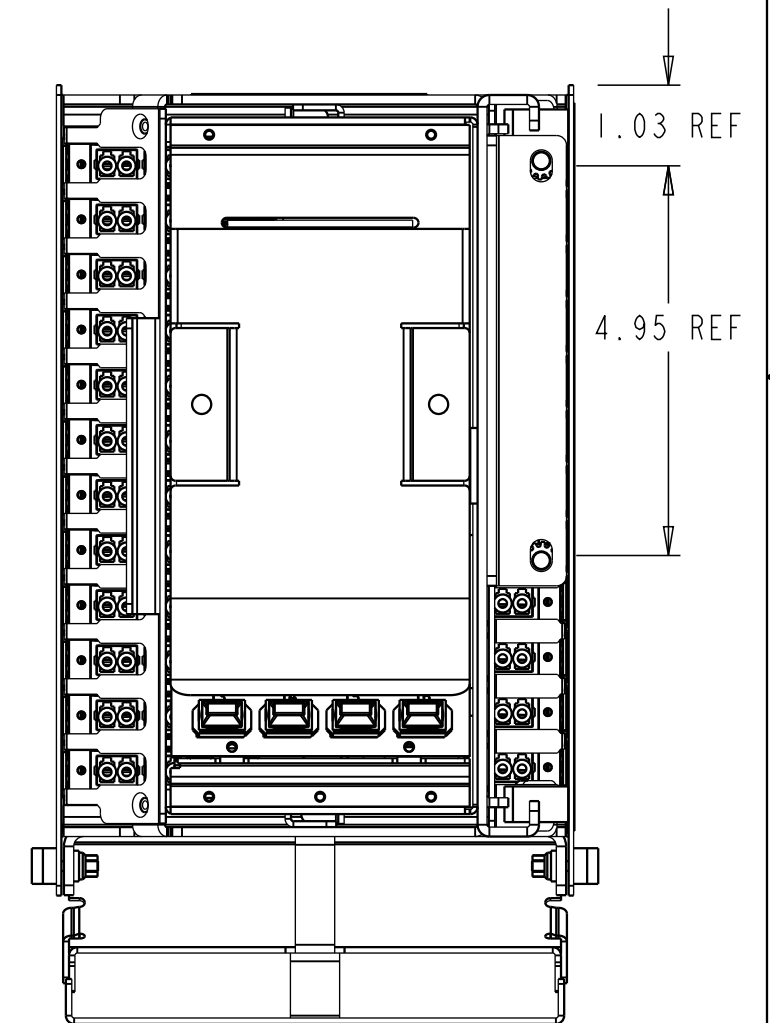
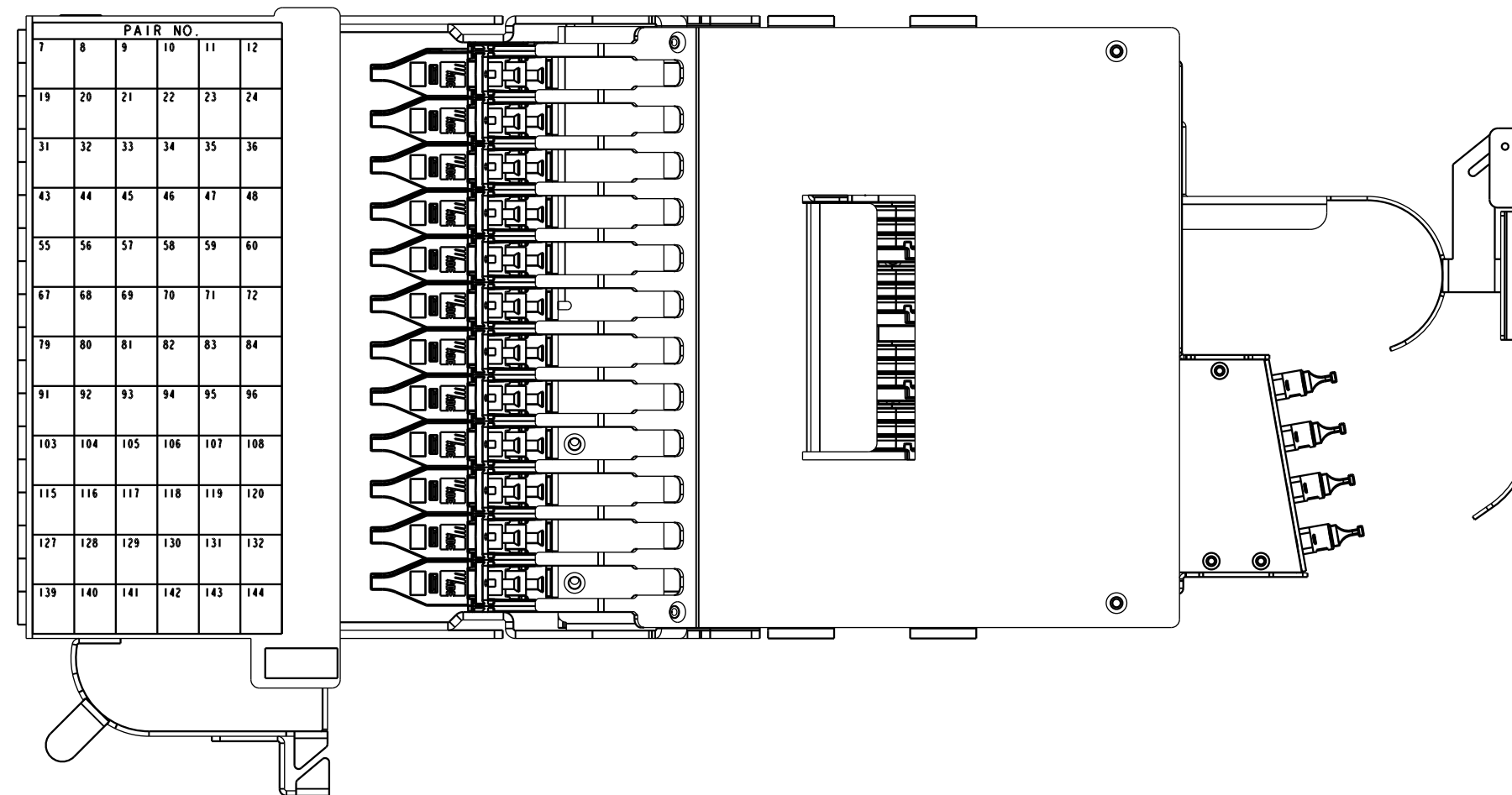
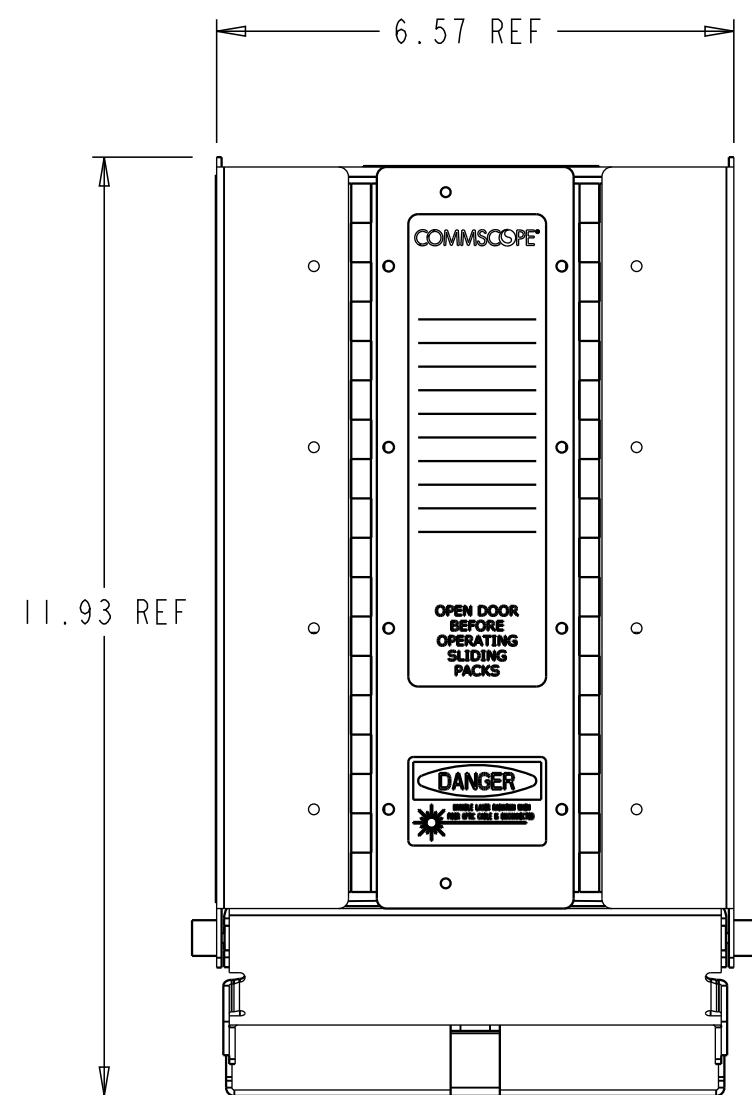
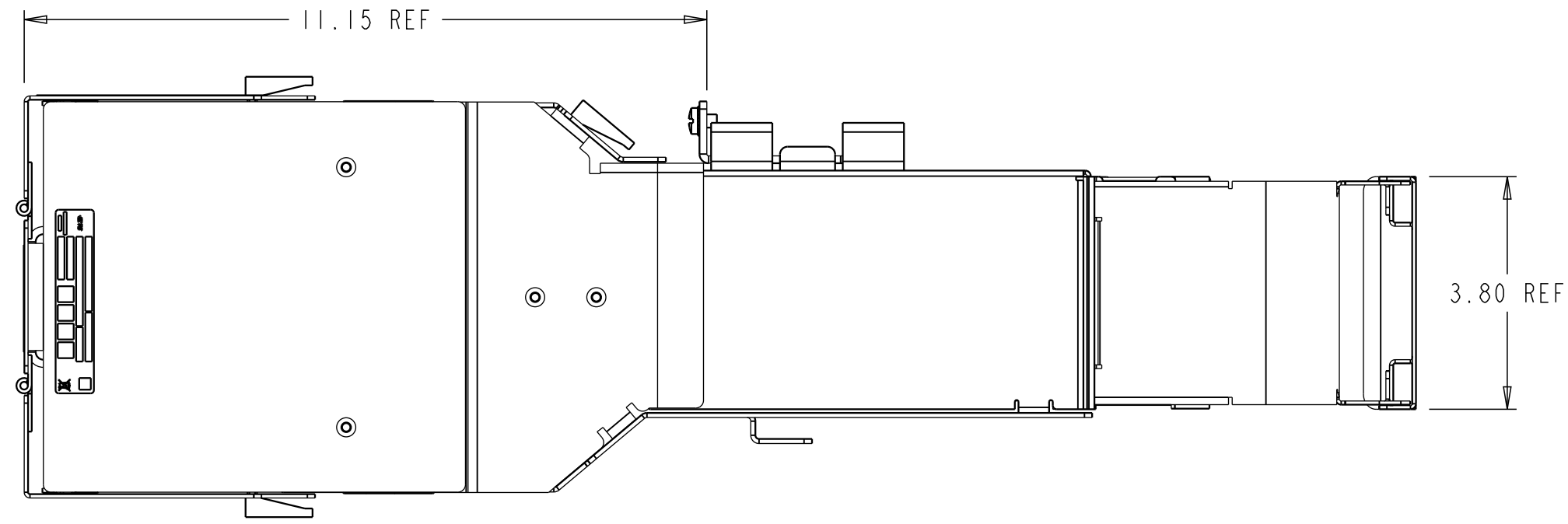


REV	MCO	DWN	DATE
B	40030848MCO	JSR	17-MAY-16
C	40031902MCO	JSR	12-JUL-16



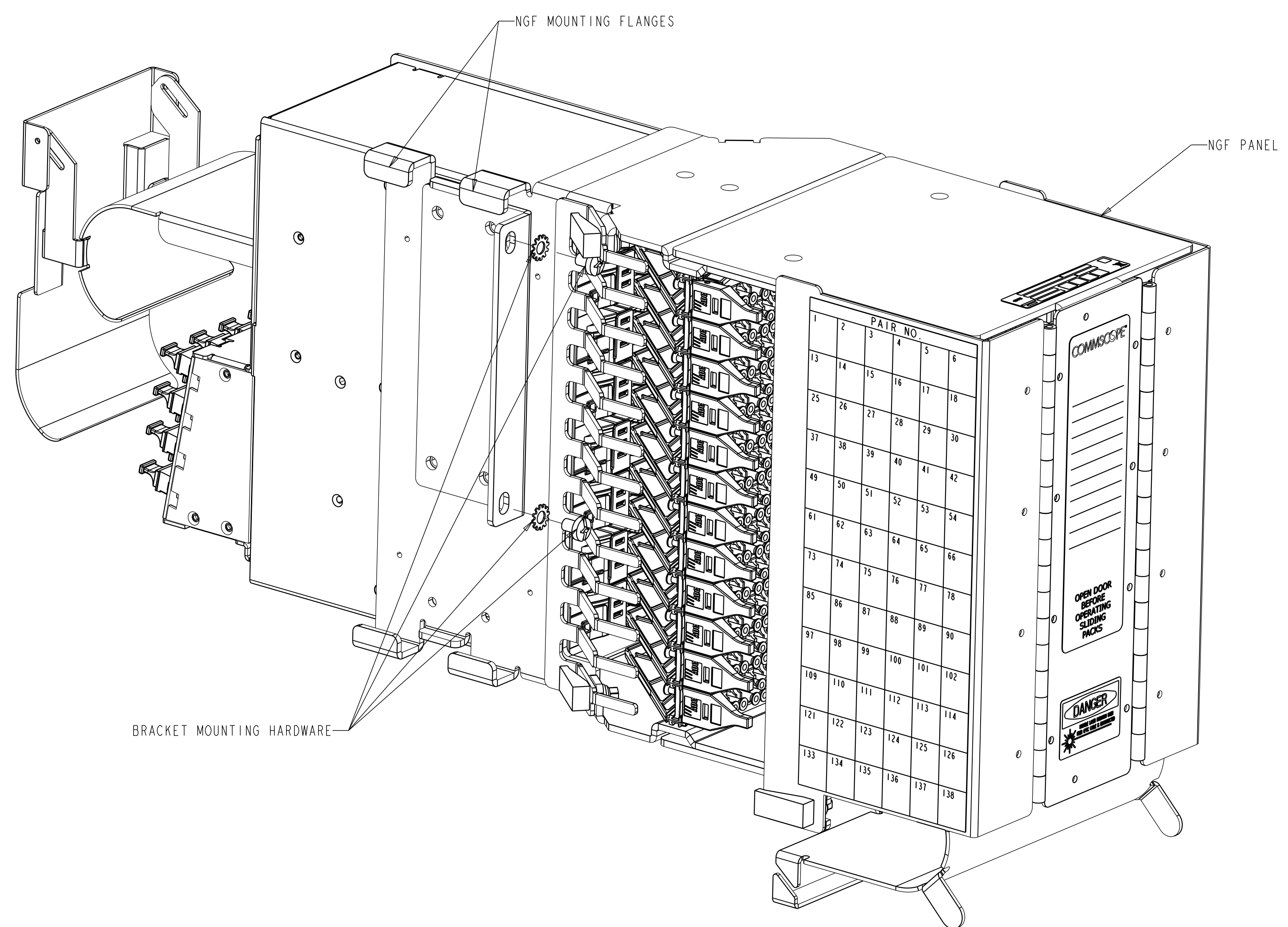
NGF MPO 192 POSITION

COMMSCOPE, INC.

<small>© 2016 COMMSCOPE, INC. CONFIDENTIAL NOTICE: THESE DRAWINGS AND SPECIFICATIONS ARE THE PROPRIETARY PROPERTY OF COMMSCOPE, INC. AND MAY BE USED ONLY FOR THE SPECIFIC PURPOSE AUTHORIZED IN WRITING BY COMMSCOPE, INC.</small>		TITLE NGF 192 POS LEFT INSTALLATION DRAWING	
<small>ALL DIMS AND TOLERANCES ARE INCHES UNLESS OTHERWISE SPECIFIED</small>		DRAWING NUMBER 300100116982	<small>C SIZE C REV</small>
DO NOT SCALE DRAWING		ENGR: JORGE SILVA ROMO DWN: JORGE SILVA ROMO	SHT. 1 OF 4

DIMENSIONS IN INCHES
 THIRD ANGLE PROJECTION

A B C D



- NOTES:
1. AFTER UNPACKING MODEL FROM EPS AND BOX REMOVE BRACKET MOUNTING HARDWARE FROM PACKAGING BRACKET AND SLIDE BRACKET THRU THE NGF TO REMOVE IT FROM THE MPO PANEL.
 2. DISCARD PACKAGING BRACKET AND BRACKET MOUNTING HARDWARE AFTER REMOVING IT FROM THE PANEL.

COMMSCOPE, INC.

<small>© 2016 COMMSCOPE, INC. CONFIDENTIAL NOTICE: THESE DRAWINGS AND SPECIFICATIONS ARE THE PROPRIETARY PROPERTY OF COMMSCOPE, INC. AND MAY BE USED ONLY FOR THE SPECIFIC PURPOSE AUTHORIZED IN WRITING BY COMMSCOPE, INC.</small>		TITLE NGF 192 POS LEFT INSTALLATION DRAWING	
<small>ALL DIMS AND TOLERANCES ARE INCHES UNLESS OTHERWISE SPECIFIED</small>	<small>.XX:±.XX .XXX:±.XXX ANGULAR:±N/A</small>	C SIZE	DRAWING NUMBER 300100116982
DO NOT SCALE DRAWING		ENGR: JORGE SILVA ROMO DWN: JORGE SILVA ROMO	SHT. 2 OF 4

DIMENSIONS IN INCHES
 THIRD ANGLE PROJECTION

A B C

A

B

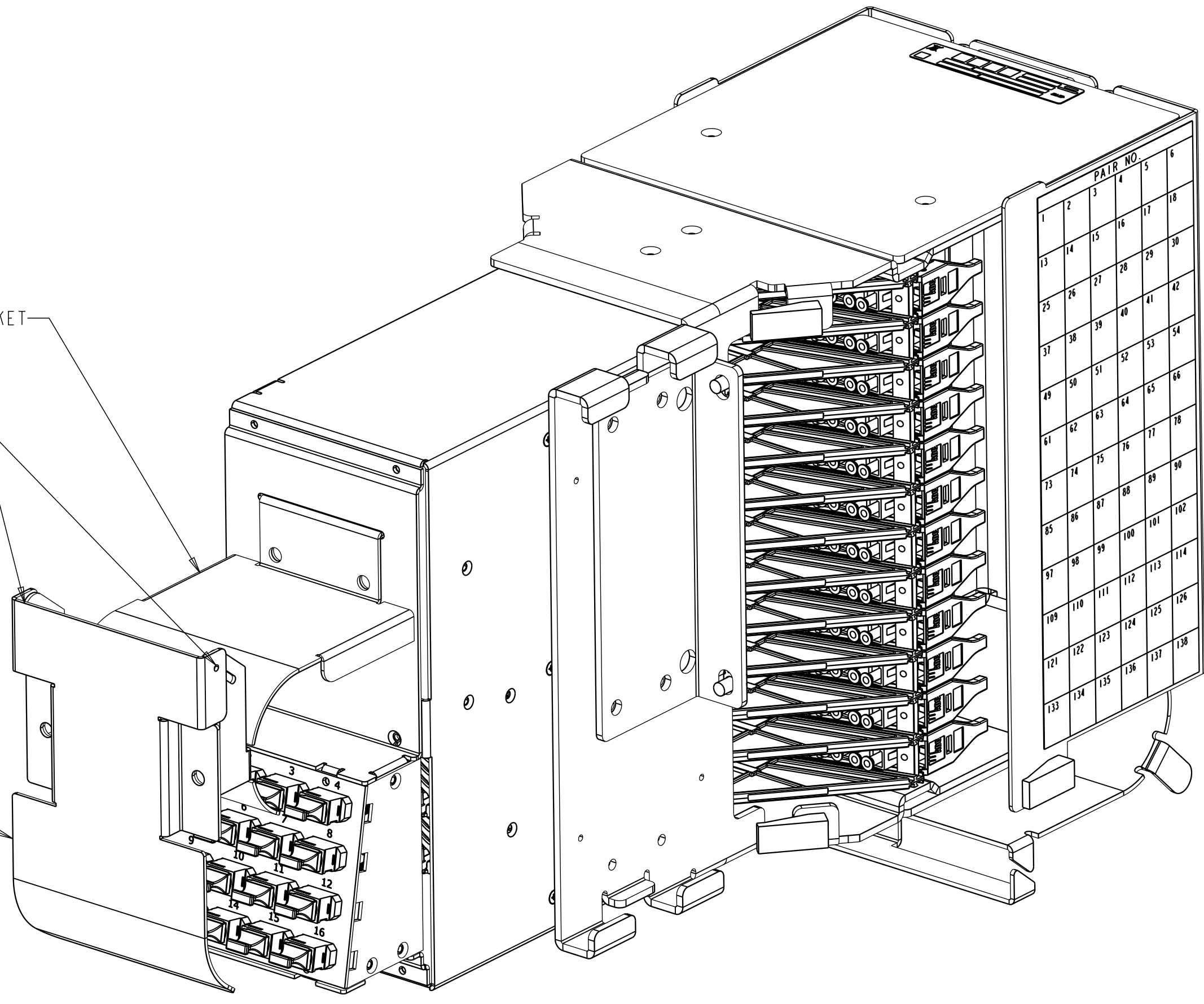
C

D

RADIUS BRACKET

4-40 SCREWS
TORQUE 4-8 INCH/LBS.

REAR COVER



NOTES:

- 3. ATTACH RADIUS BRACKET USING THE PLUNGERS ATTACHED,
- 4. ATTACH REAR COVER USING THE PLUNGERS ATTACHED, ONCE IN PLACE ADD THE 4-40 SCREWS (2) PROVIDED, TORQUE SCREW TO 4-8 INCH/LBS.

COMMSCOPE, INC.

© 2016 COMMSCOPE, INC. CONFIDENTIAL
 NOTICE: THESE DRAWINGS AND SPECIFICATIONS
 ARE THE PROPRIETARY PROPERTY OF
 COMMSCOPE, INC. AND MAY BE USED ONLY FOR THE
 SPECIFIC PURPOSE AUTHORIZED IN WRITING BY
 COMMSCOPE, INC.

ALL DIMS AND TOLERANCES .XX:±xx
 ARE INCHES UNLESS .XXX:±xxx
 OTHERWISE SPECIFIED ANGULAR:±N/A

DO NOT SCALE DRAWING

TITLE NGF 192 POS LEFT INSTALLATION DRAWING		DRAWING NUMBER 300100116982	
C SIZE	C REV	ENGR: JORGE SILVA ROMO	SHT. 3 OF 4
DWN: JORGE SILVA ROMO			

⊕ DIMENSIONS IN INCHES
THIRD ANGLE PROJECTION

FRAME MOUNTING BRACKET

NGF MOUNTING FLANGES

INSTALL NGF TO FRAME USING (2) SCREWS AND (2) STAR WASHERS PROVIDED

NOTES:

- 5. POSITION NGF SUCH THAT THE MOUNTING BRACKET LOCATED ON THE FRAME SLIDES BETWEEN THE FLANGES ON THE NGF. FASTEN NGF TO THE FRAME USING (2) #12 SCREWS AND (2) STAR WASHERS.

COMMSCOPE, INC.

© 2016 COMMSCOPE, INC. CONFIDENTIAL
 NOTICE: THESE DRAWINGS AND SPECIFICATIONS ARE THE PROPRIETARY PROPERTY OF COMMSCOPE, INC. AND MAY BE USED ONLY FOR THE SPECIFIC PURPOSE AUTHORIZED IN WRITING BY COMMSCOPE, INC.

ALL DIMS AND TOLERANCES ARE IN INCHES UNLESS OTHERWISE SPECIFIED
 .XX:±N/A
 .XXX:±N/A
 ANGULAR:±N/A

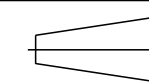
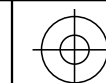
DO NOT SCALE DRAWING

ENGR: JORGE SILVA ROMO
 DWN: JORGE SILVA ROMO

TITLE NGF 192 POS LEFT
 INSTALLATION DRAWING

DRAWING NUMBER 300100116982

SHT. 4 OF 4



DIMENSIONS IN INCHES
 THIRD ANGLE PROJECTION