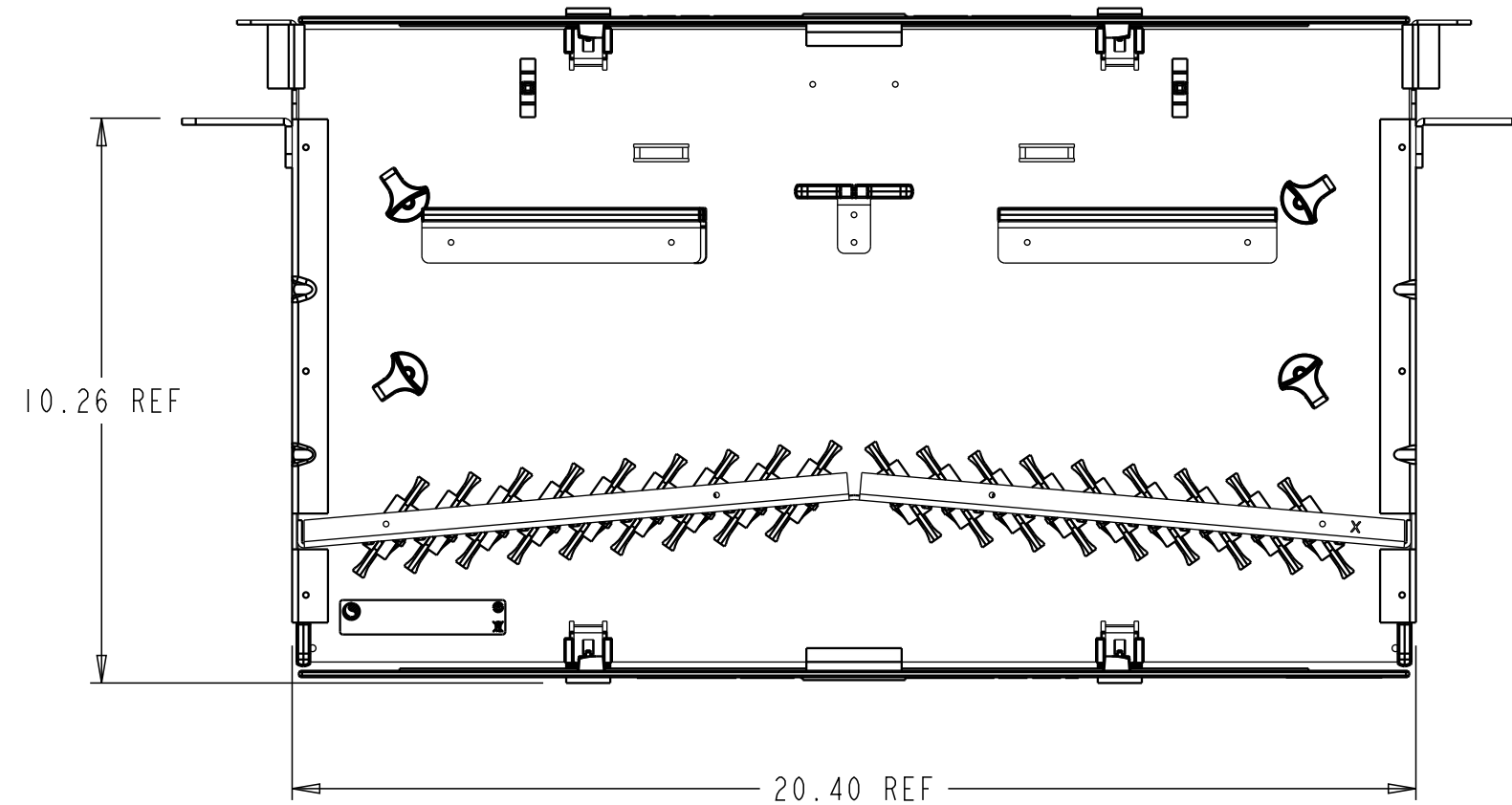
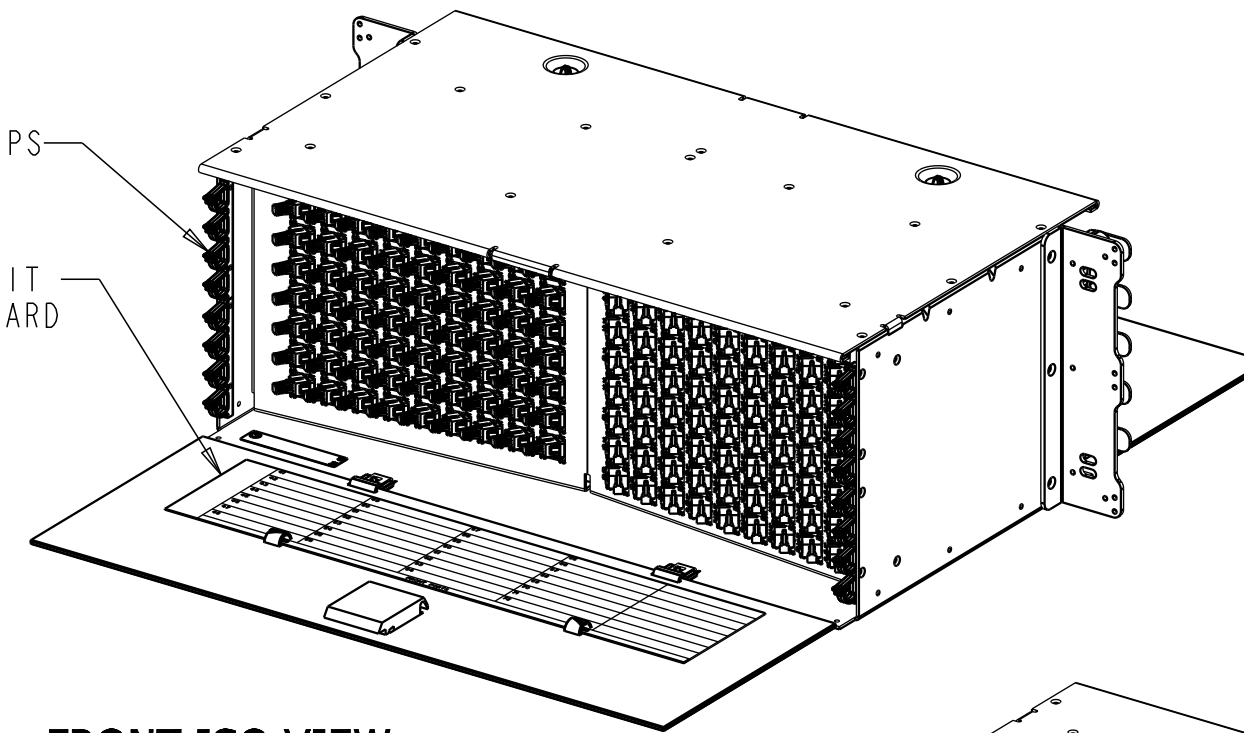


REV.	MCO	DWN	DATE
C	40026630MCO	JGA	25-NOV-15
D	8000018631	OAVL	29-DEC-16

**TOP VIEW
(TOP COVER REMOVED)**

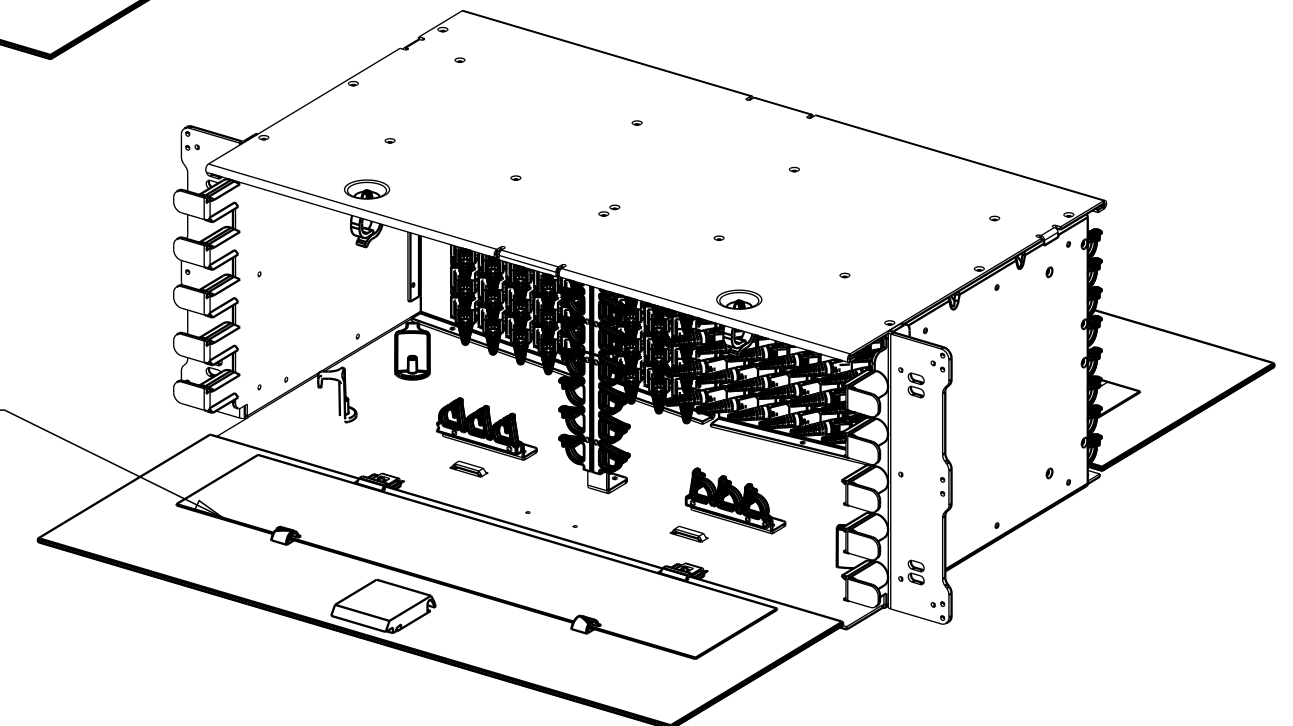


FANNING STRIPS
FRONT CIRCUIT DESIGNATION CARD

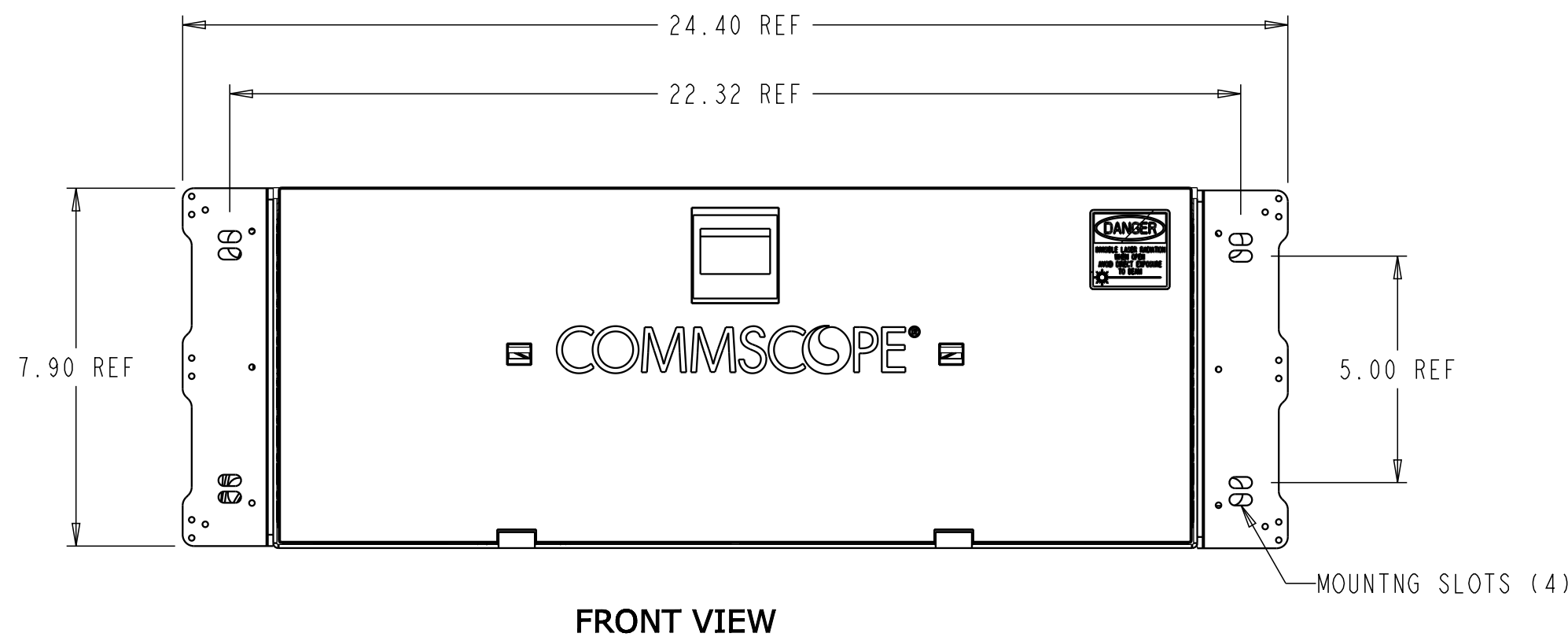


FRONT ISO VIEW
(SHOWN WITH RETAINERS/ADAPTERS,
FRONT AND REAR DOORS SWING DOWN 90°)

REAR CIRCUIT DESIGNATION CARD
AND ROUTING INSTRUCTIONS
DESIGNATION CARD

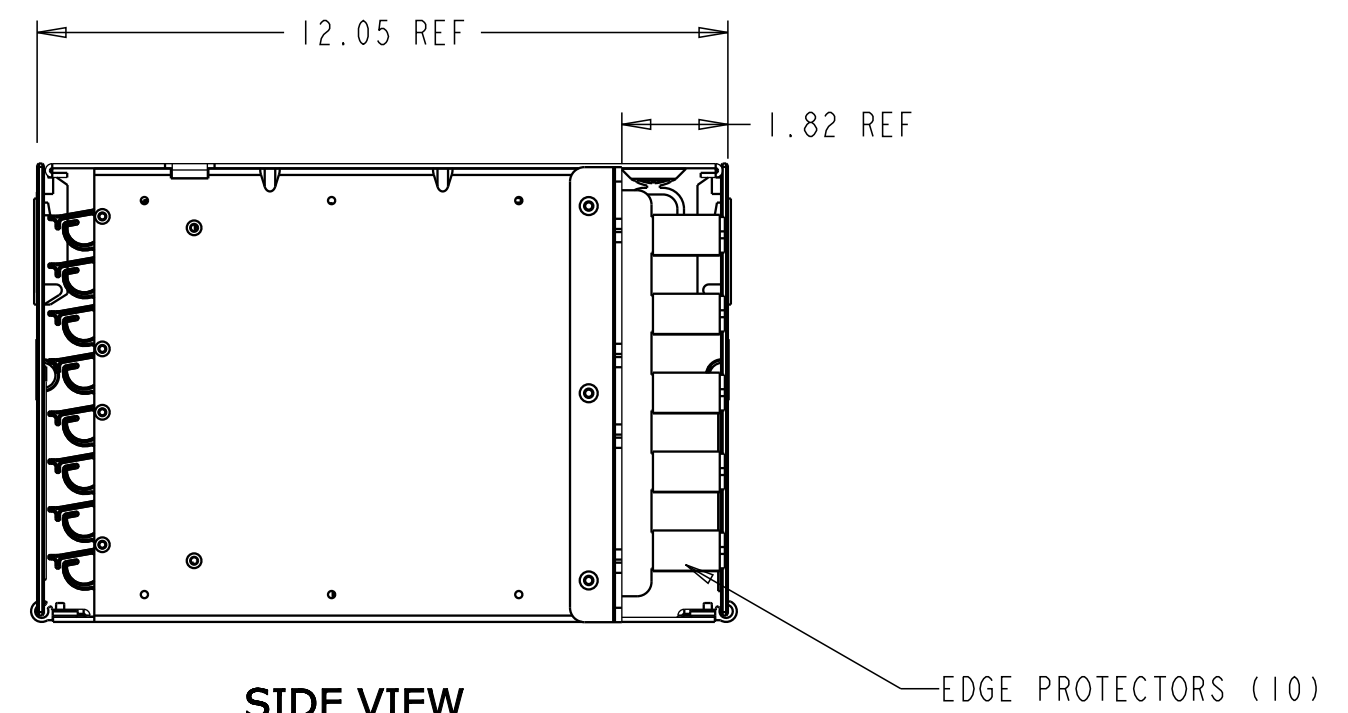


REAR ISO VIEW
(SHOWN WITH RETAINERS/ADAPTERS,
FRONT AND REAR DOORS SWING DOWN 90°)



FRONT VIEW

MOUNTING SLOTS (4)



SIDE VIEW

EDGE PROTECTORS (10)

NOTES:

1. WHEN MOUNTING INTO RACK, SLIDE MODULE FROM THE REAR SIDE AND SECURE TO REAR RACK FLANGE USING MOUNTING HARDWARE PROVIDED.
2. DESIGNATION LABEL AND MOUNTING HARDWARE ARE INCLUDED WITH MODULE.
3. USE SCREW #12-24 AND #12 WASHER (HARDWARE PROVIDED) FOR STANDARD GROUNDING BETWEEN THE PANEL AND THE RACK. RECOMMENDED TORQUE FOR INSTALLATION IS 6-8 LBS.

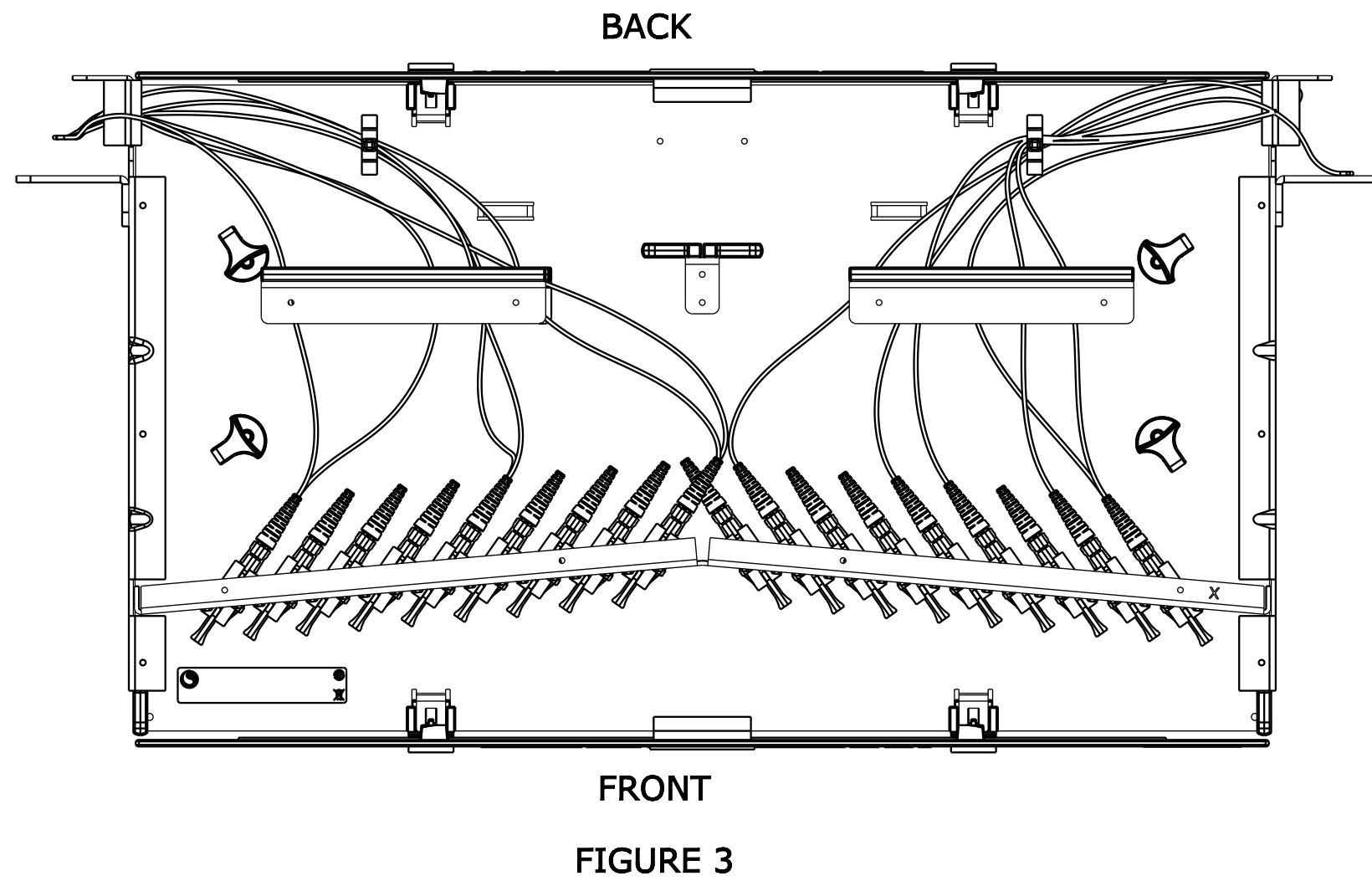
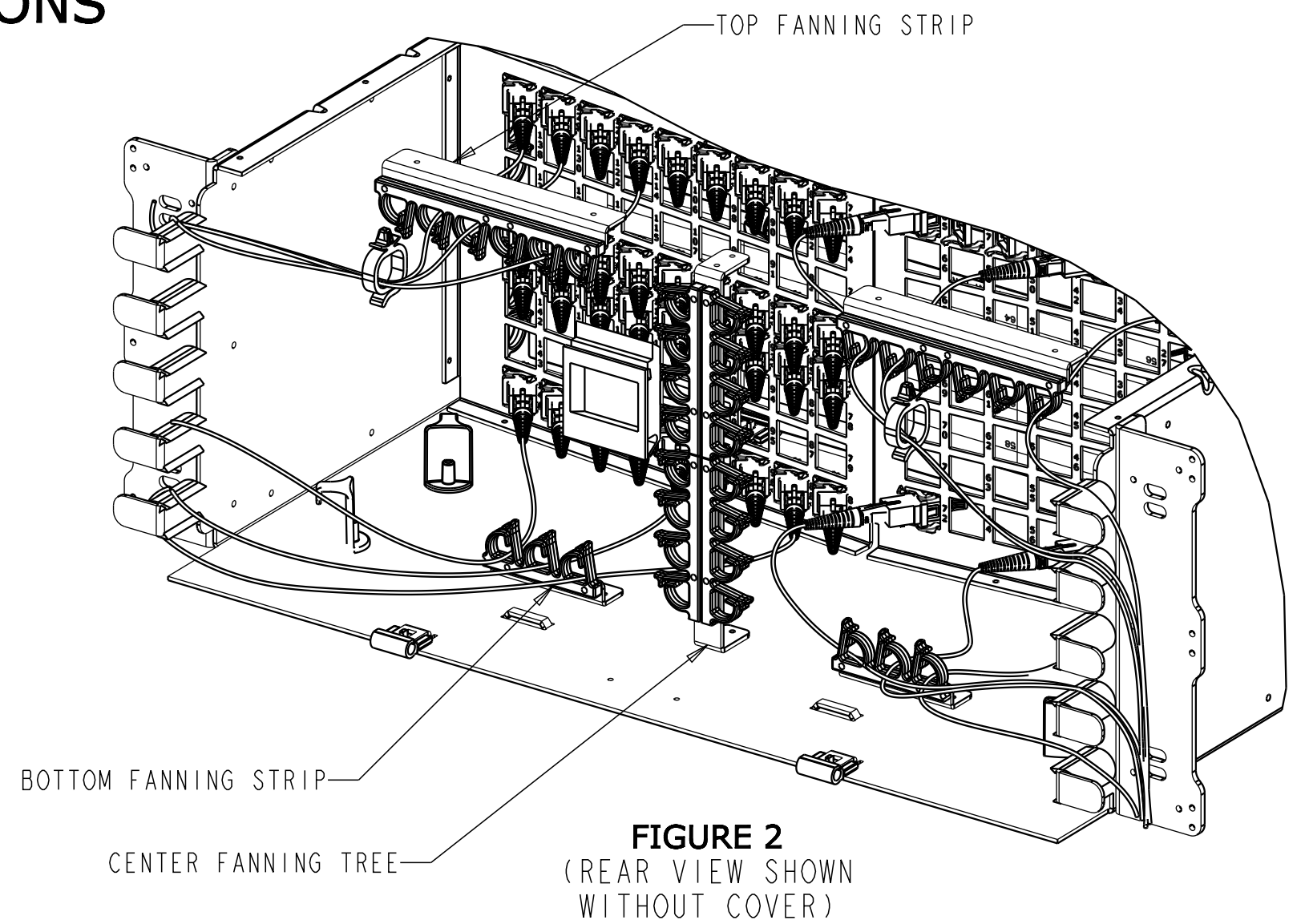
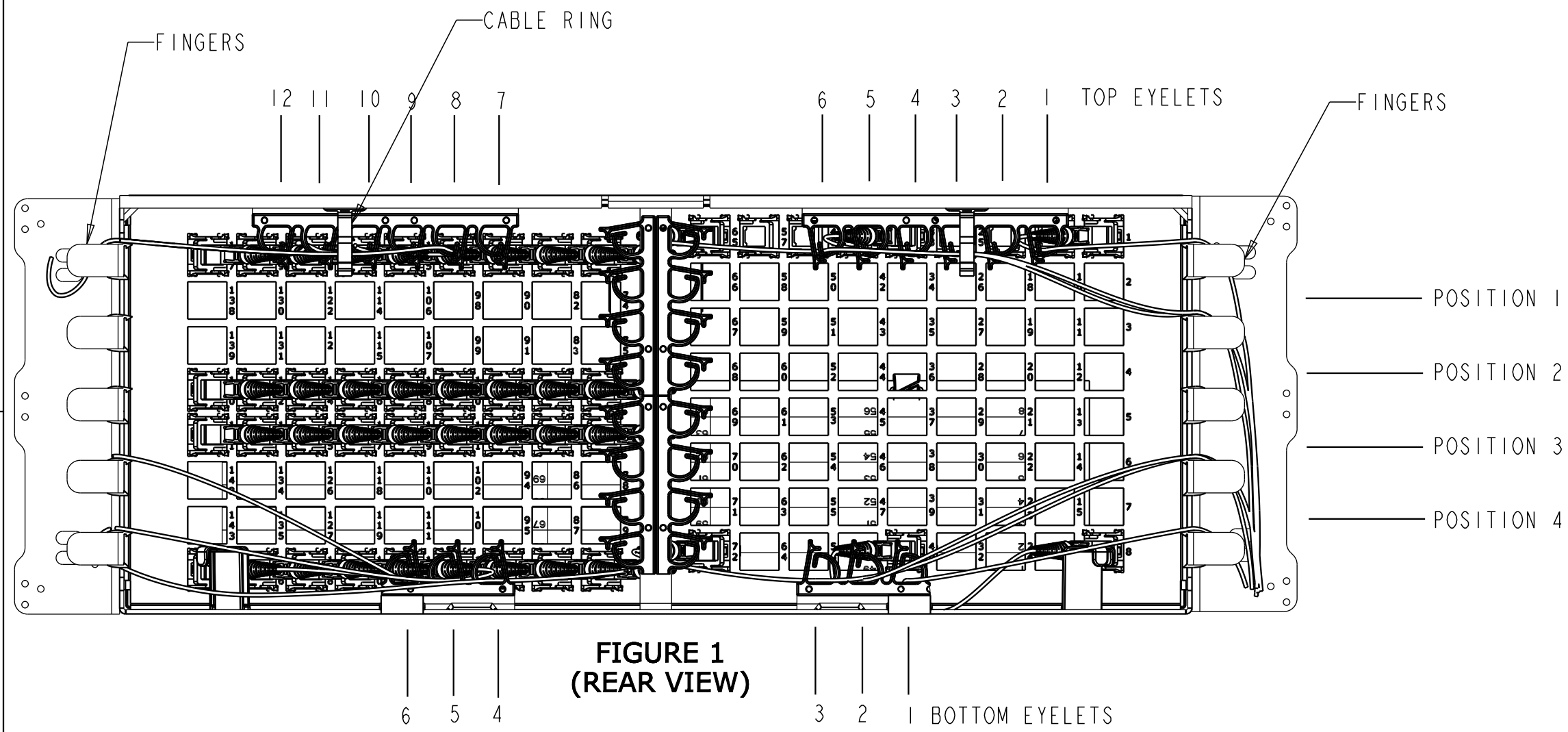
MMLC AQUA	1-288	MFCM-1C0000
MMSC AQUA	1-144	MFCM-1T0000
SMSC	1-144	FCM-170000
ADAPTER/RETAINER STYLE	LOADED POSITIONS	PRODUCT NUMBER

© 2016 COMMSCOPE, INC. CONFIDENTIAL NOTICE: THESE DRAWINGS AND SPECIFICATIONS ARE THE PROPRIETARY PROPERTY OF COMMSCOPE, INC. AND MAY BE USED ONLY FOR THE SPECIFIC PURPOSE AUTHORIZED IN WRITING BY COMMSCOPE, INC.		TITLE 8" FCM 144 POS ADAPTER ONLY (INSTALLATION DWG)	
ALL DIMS AND TOLERANCES ARE INCHES UNLESS OTHERWISE SPECIFIED	.XX:±N/A .XXX:±N/A ANGULAR:±N/A	C SIZE DRAWING NUMBER 300900111181	D REV
DO NOT SCALE DRAWING	ENGR: LUIS BALANDRAN DWN: EMMANUEL ALTAMIRANO	SHT. 1 OF 3	

COMMSCOPE, INC.

**DIMENSIONS IN INCHES
THIRD ANGLE PROJECTION**

PATCHCORD ROUTING INSTRUCTIONS



FIBER PATCHCORD ROUTING NOTES

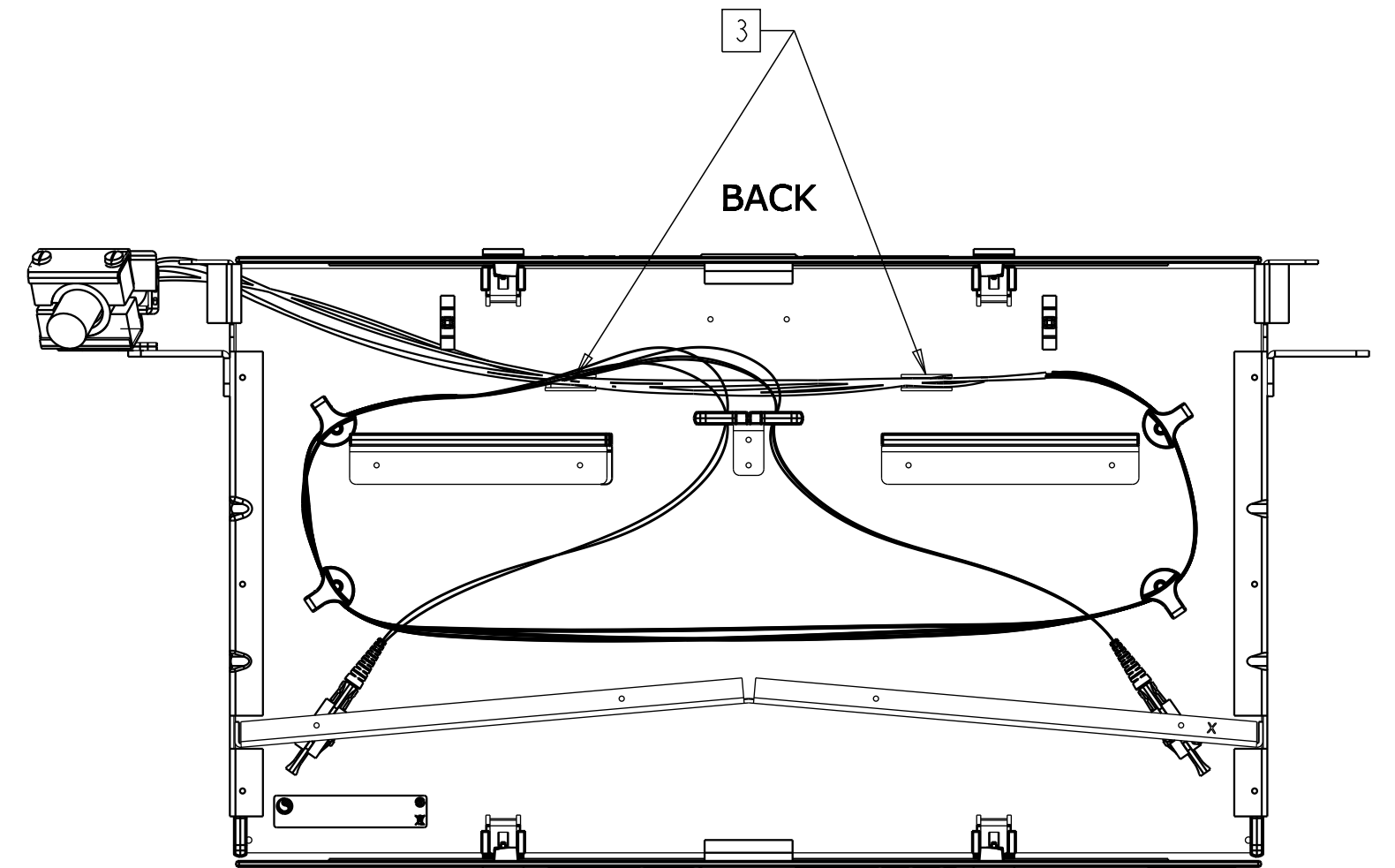
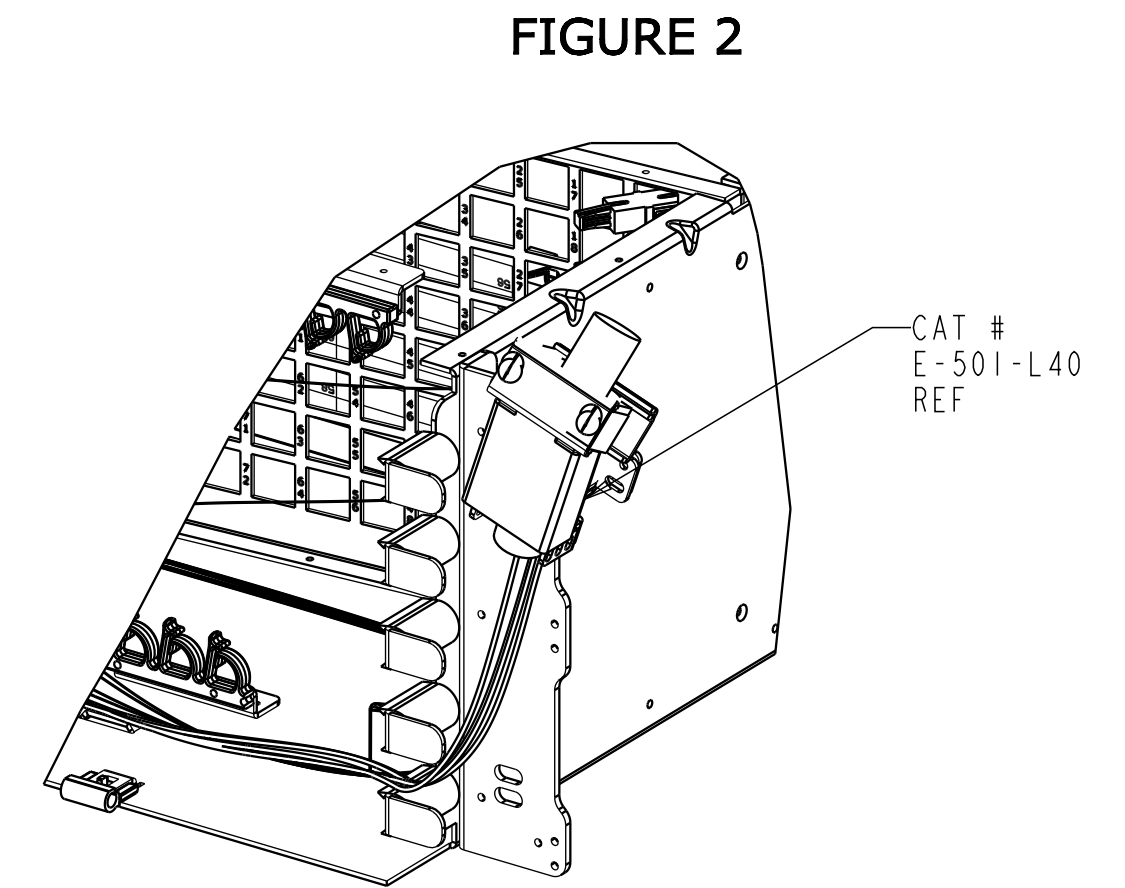
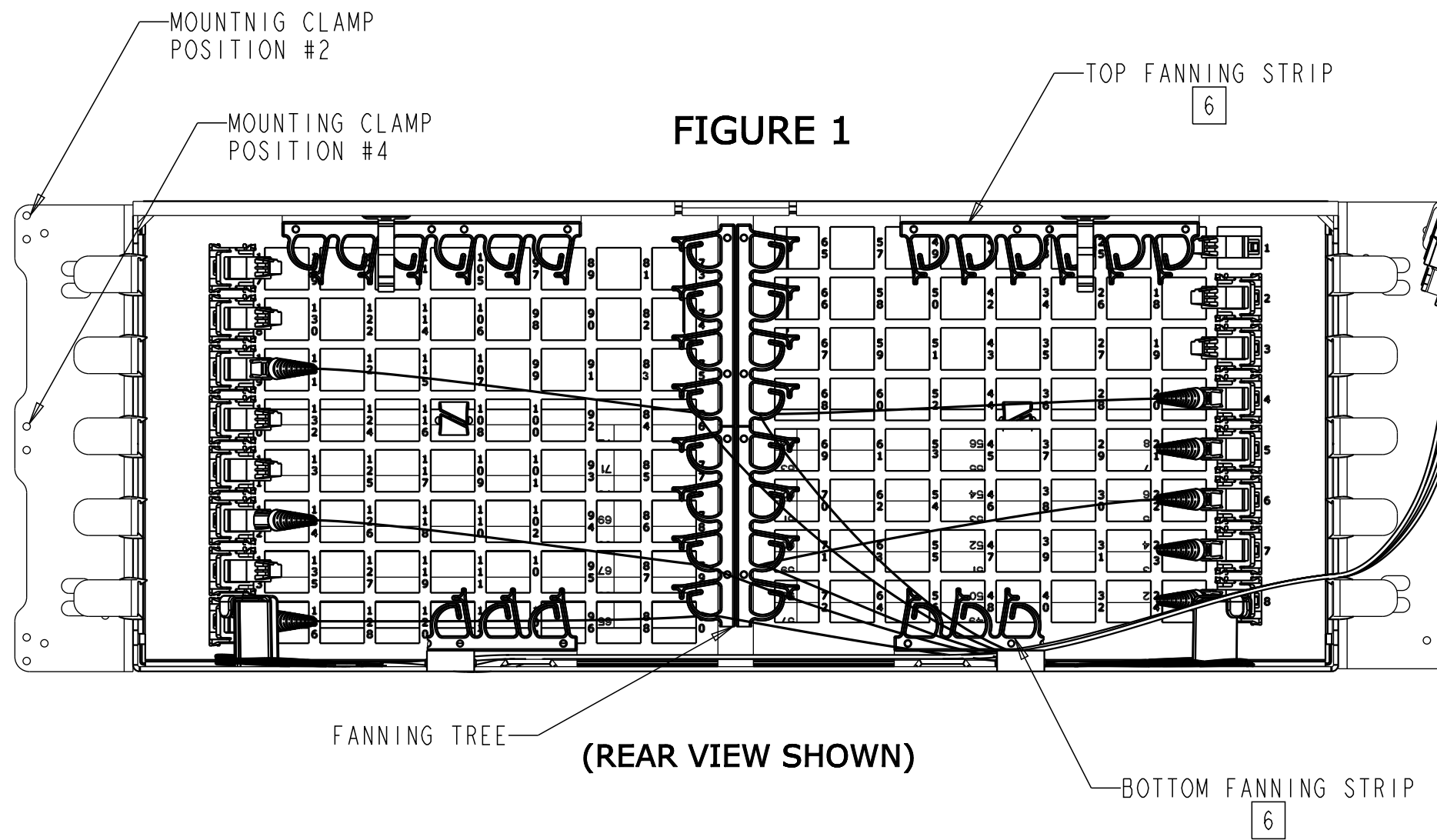
1. FIBER PATCHCORDS ENTER INTO THE PANEL FROM THE TOP OR BOTTOM AND RIGHT OR LEFT OF THE BAY. (AS SHOWN IN FIGURE 1)
2. FIBER PATCHCORDS FROM TOP 4 ROWS OF THE BULKHEAD SHOULD BE ROUTED THROUGH THE TOP FANNING STRIPS AND FIBER PATCHCORDS FROM BOTTOM 4 ROWS OF THE BULKHEAD SHOULD BE ROUTED THROUGH THE BOTTOM FANNING STRIPS (AS SHOWN IN FIGURE 2).
3. PATCHCORDS THAT GO INTO TOP EYELETS 4-6 AND 7-9 SHOULD USE CABLE RINGS TO ROUTE THE FIBER, TO AVOID SAGGING OF PATCHCORDS.

COMMSCOPE, INC.

© 2016 COMMSCOPE, INC. CONFIDENTIAL NOTICE: THESE DRAWINGS AND SPECIFICATIONS ARE THE PROPRIETARY PROPERTY OF COMMSCOPE, INC. AND MAY BE USED ONLY FOR THE SPECIFIC PURPOSE AUTHORIZED IN WRITING BY COMMSCOPE, INC.		TITLE 8" FCM 144 POS ADAPTER ONLY (INSTALLATION DWG)	
ALL DIMS AND TOLERANCES ARE INCHES UNLESS OTHERWISE SPECIFIED	.XX:±N/A .XXX:±N/A ANGULAR:±N/A	C SIZE	DRAWING NUMBER 300900111181
DO NOT SCALE DRAWING	ENGR: LUIS BALANDRAN DWN: EMMANUEL ALTAMIRANO	SHT. 2 OF 3	

DIMENSIONS IN INCHES
THIRD ANGLE PROJECTION

IFC CABLE ROUTING INSTRUCTIONS



IFC CABLE ROUTING NOTES:

1. TO INSTALL IFC CABLE INTO THE PANEL, A CABLE CLAMP KIT IS NEEDED (USE CATALOG NUMBER E-501-L40) LIKE FIGURE 2 SHOWS. THE INSTALLATION DRAWING TO INSTALL E-501-L40 IS INCLUDED ON KIT.
2. FOR INSTALLATION POSITION OF THE CABLE CLAMP USE POSITION #1 (AS SHOWN FIGURE 1). OTHER POSITIONS COULD BE USED IF NEEDED.
- [3] WHEN ROUTING THE SUBUNITS INTO THE PANEL, USE MILLE-TIE TO SECURE SUBUNITS TO TIE POINTS
4. ROUTE 900 MICRON FIBERS AS ON FIGURE 3. FIBER POSITIONS 1-72 USE RIGHT SIDE FANNING TREE. POSITIONS 73-144 USE LEFT SIDE FANNING TREE.
5. FIBERS THAT GO THRU THE FIRST (TOP) POSITION OF THE FANNING TREE GO TO THE FIRST (TOP) ROW ON THE BULKHEAD, FIBERS THAT GO THRU THE SECOND POSITION ON THE FANNING TREE GO TO THE SECOND ROW ON THE BULKHEAD, AND SO ON. EACH EYELET POSITION ON THE FANNING TREE CORRESPONDS TO EACH ROW POSITION ON THE BULKHEAD.
- [6] NOT USED FOR 900 MICRON FIBERS.

COMMSCOPE, INC.

© 2016 COMMSCOPE, INC. CONFIDENTIAL NOTICE: THESE DRAWINGS AND SPECIFICATIONS ARE THE PROPRIETARY PROPERTY OF COMMSCOPE, INC. AND MAY BE USED ONLY FOR THE SPECIFIC PURPOSE AUTHORIZED IN WRITING BY COMMSCOPE, INC.		TITLE 8" FCM 144 POS ADAPTER ONLY (INSTALLATION DWG)	
ALL DIMS AND TOLERANCES ARE INCHES UNLESS OTHERWISE SPECIFIED	.XX:±N/A .XXX:±N/A ANGULAR:±N/A	C SIZE	D REV
DO NOT SCALE DRAWING		ENGR: LUIS BALADRAN DWN: EMMANUEL ALTAMIRANO	DRAWING NUMBER 300900111181
		SHT. 3 OF 3	

DIMENSIONS IN INCHES
THIRD ANGLE PROJECTION