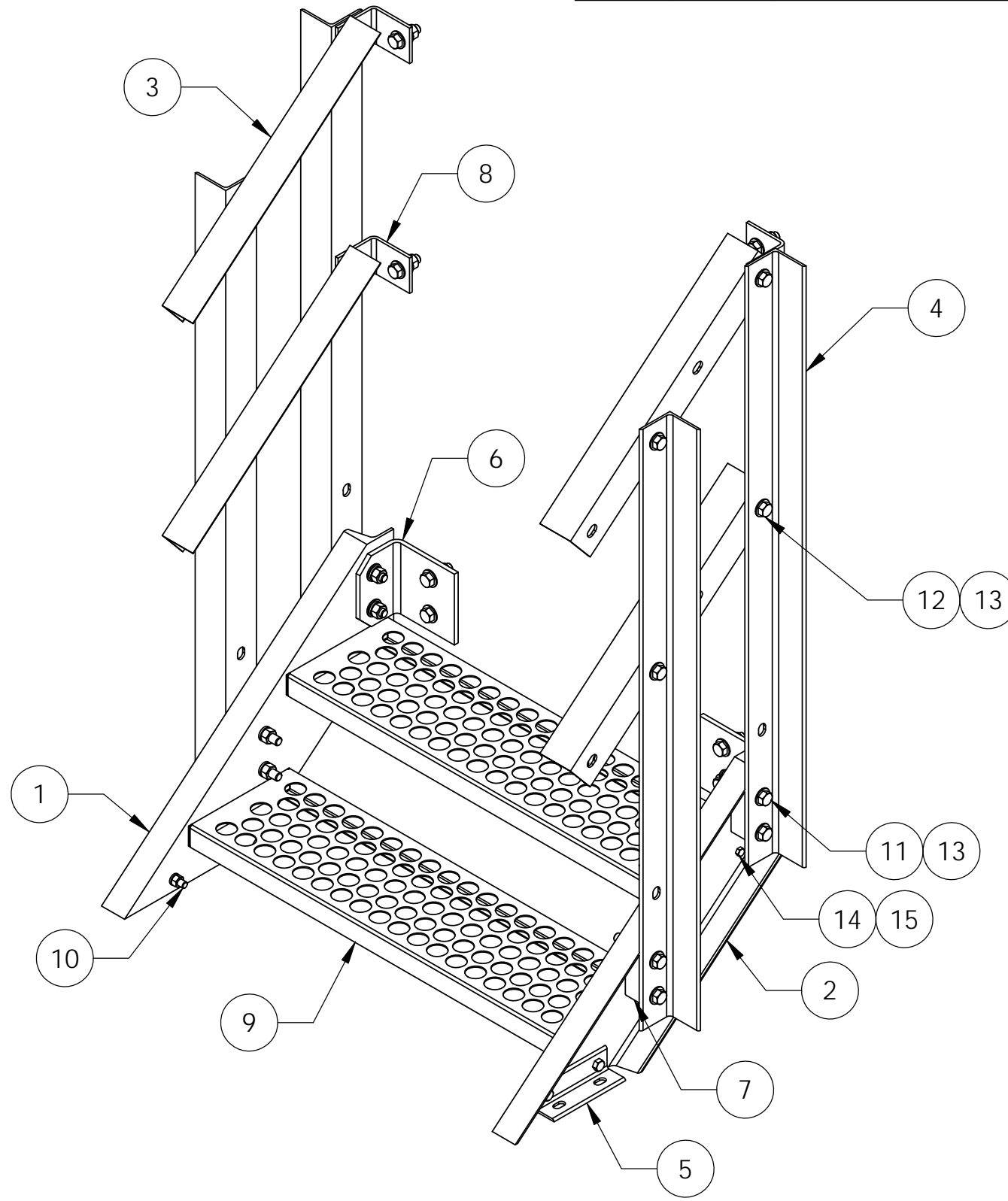



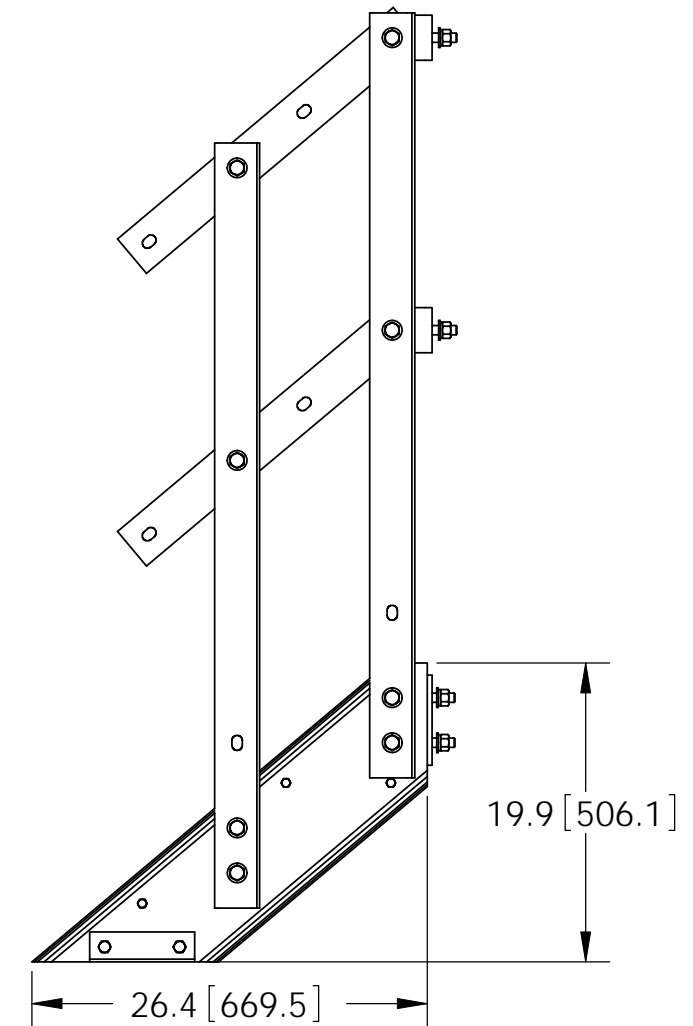
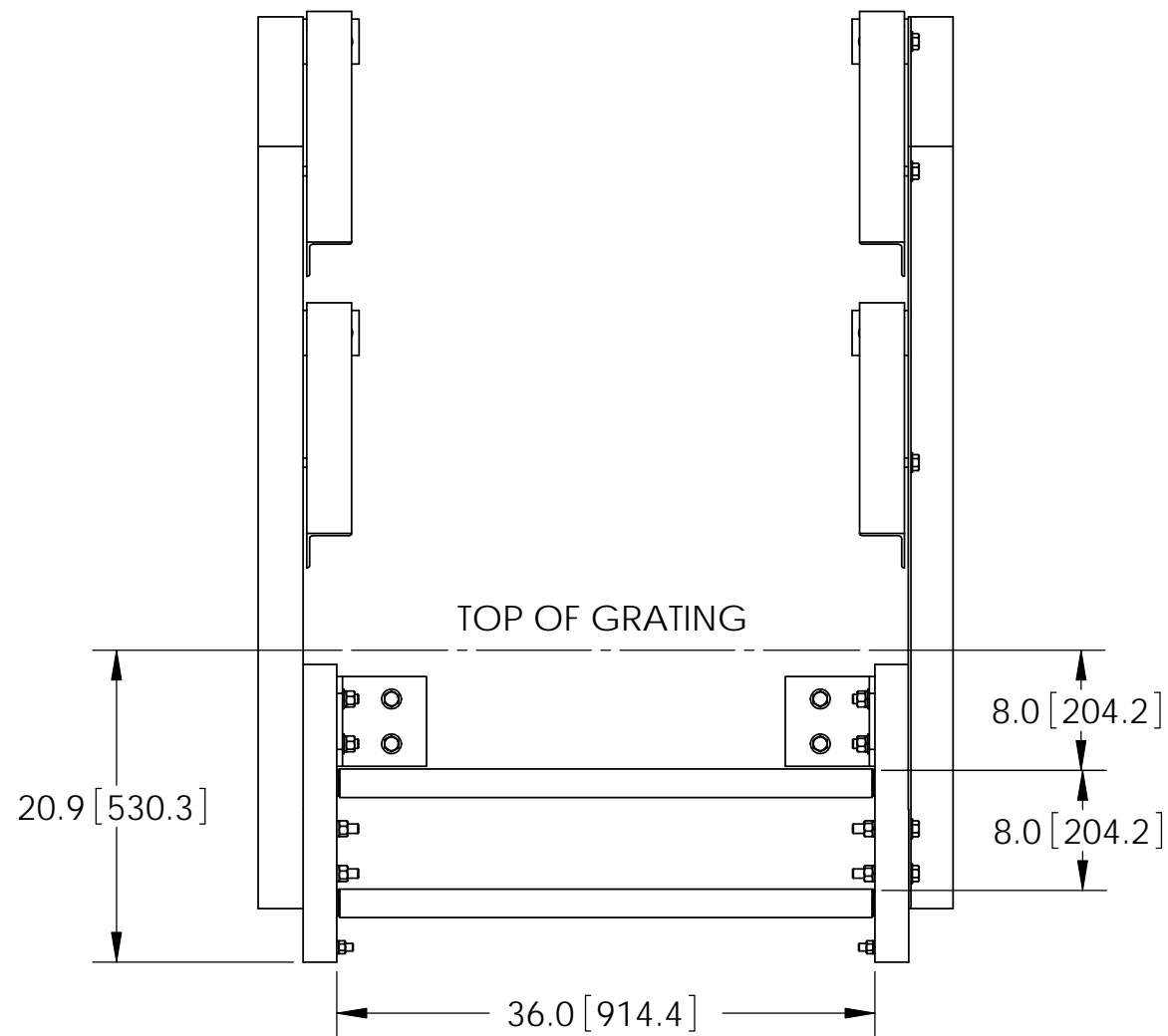
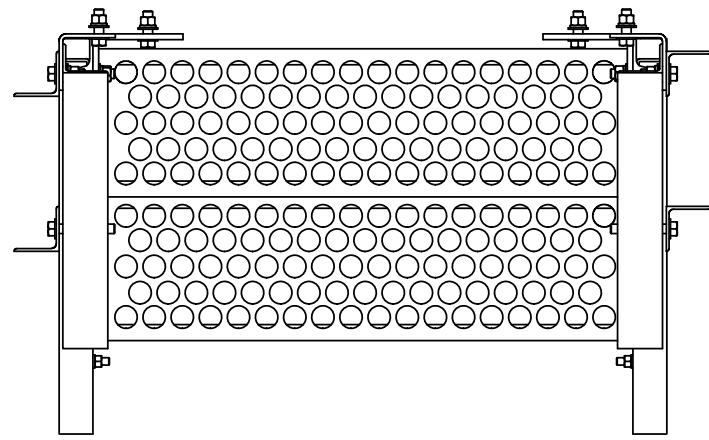
ITEM	PART NO.	DESCRIPTION	QTY.	WEIGHT
1	MTC90552.01	RIGHT STAIR LEG	1	23.99 LBS
2	MTC90552.02	LEFT STAIR LEG	1	23.99 LBS
3	MTC90552.03	STEP HANDRAIL	4	12.45 LBS
4	MTC7902.04	HANDRAIL POST	4	15.59 LBS
5	MTC9016.05	STAIR ANCHOR CLIP	2	1.32 LBS
6	MTC9016.08	STEP CHANNEL MOUNTING ANGLE	2	5.57 LBS
7	MTC9016.07	RAILING SPACER	4	1.40 LBS
8	MTC9055.05	HANDRAIL CLIP	4	1.42 LBS
9	MTC9722.09	10" X 36" STAIR GRIP STEP	2	20.59 LBS
10	GB-04145	1/2" X 1-1/2" GALV BOLT KIT	4	0.27 LBS
11	GB-05405	5/8" X 4" GALV BOLT KIT	8	0.27 LBS
12	GB-05205	5/8" X 2" GALV BOLT KIT	16	0.27 LBS
13	GWF-05	5/8" GALV FLAT WASHER	44	0.01 LBS
14	GB-03125	3/8" X 1-1/4" GALV BOLT KIT	8	0.27 LBS
15	GWF-03	3/8" GALV FLAT WASHER	8	0.01 LBS

REVISIONS				
REV.	ZONE	DESCRIPTION	BY	DATE
A		INITIAL RELEASE	MSM	11/23/10



NOTES:  
 1. ALL METRIC DIMENSIONS ARE IN BRACKETS.

<small>These drawings and specifications are the proprietary property of ANDREW CORPORATION and may be used only for the specific purpose authorized in writing by Andrew Corporation.</small> <small>ALL DIMENSIONS ARE IN INCHES U.O.S. TOLERANCES UNLESS OTHERWISE SPECIFIED:</small> .X = ± .12      ANGLES ± 2° .XX = ± .06      FRACTIONS ± 1/32 .XXX = ± .03 <small>REMOVE BURRS AND BREAK EDGES .005</small> <b>DO NOT SCALE THIS PRINT</b>	<small>DRAWN BY:</small> <b>MSM</b>	<small>SHEET:</small> 1 of 2	<small>PART NUMBER:</small> <b>EQ-STEP-2</b>
	<small>CHECKED BY:</small> <b>TP</b>	<small>SCALE:</small> NTS	<small>DESCRIPTION:</small> STAIRS 2 STEPS w/ HANDRAIL
	<small>DATE:</small> 11/23/10	<small>MATERIAL:</small> A36, A500, A568	<small>DRAWING TYPE:</small> ASSEMBLY DRAWING
	<small>REVISION:</small> <b>A</b>	<small>FINISH:</small> GALV A123	 ORLAND PARK, IL. 60462 U.S.A.
	<small>WEIGHT:</small> 218.60 LBS		



NOTES:  
1. ALL METRIC DIMENSIONS ARE IN BRACKETS.

These drawings and specifications are the proprietary property of ANDREW CORPORATION and may be used only for the specific purpose authorized in writing by Andrew Corporation.  ALL DIMENSIONS ARE IN INCHES U.O.S. TOLERANCES UNLESS OTHERWISE SPECIFIED: .X = ± .12      ANGLES      ±2° .XX = ± .06      FRACTIONS      ±1/32 .XXX = ± .03  REMOVE BURRS AND BREAK EDGES .005  DO NOT SCALE THIS PRINT	DRAWN BY: MSM	SHEET: 2 of 2	PART NUMBER: EQ-STEP-2
	CHECKED BY: TP	SCALE: NTS	DESCRIPTION: STAIRS 2 STEPS w/ HANDRAIL
	DATE: 11/23/10	MATERIAL: A36, A500, A568	DRAWING TYPE: ASSEMBLY DRAWING
	REVISION: <b>A</b>	FINISH: GALV A123	WEIGHT: 218.60 LBS