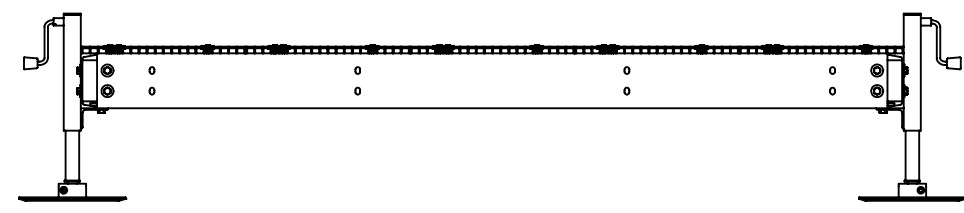
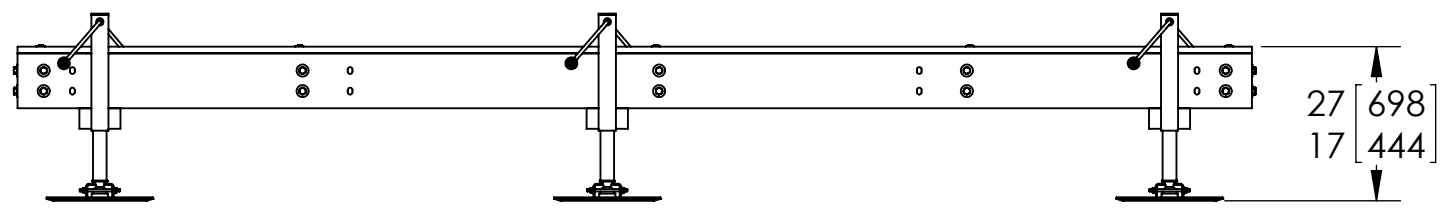
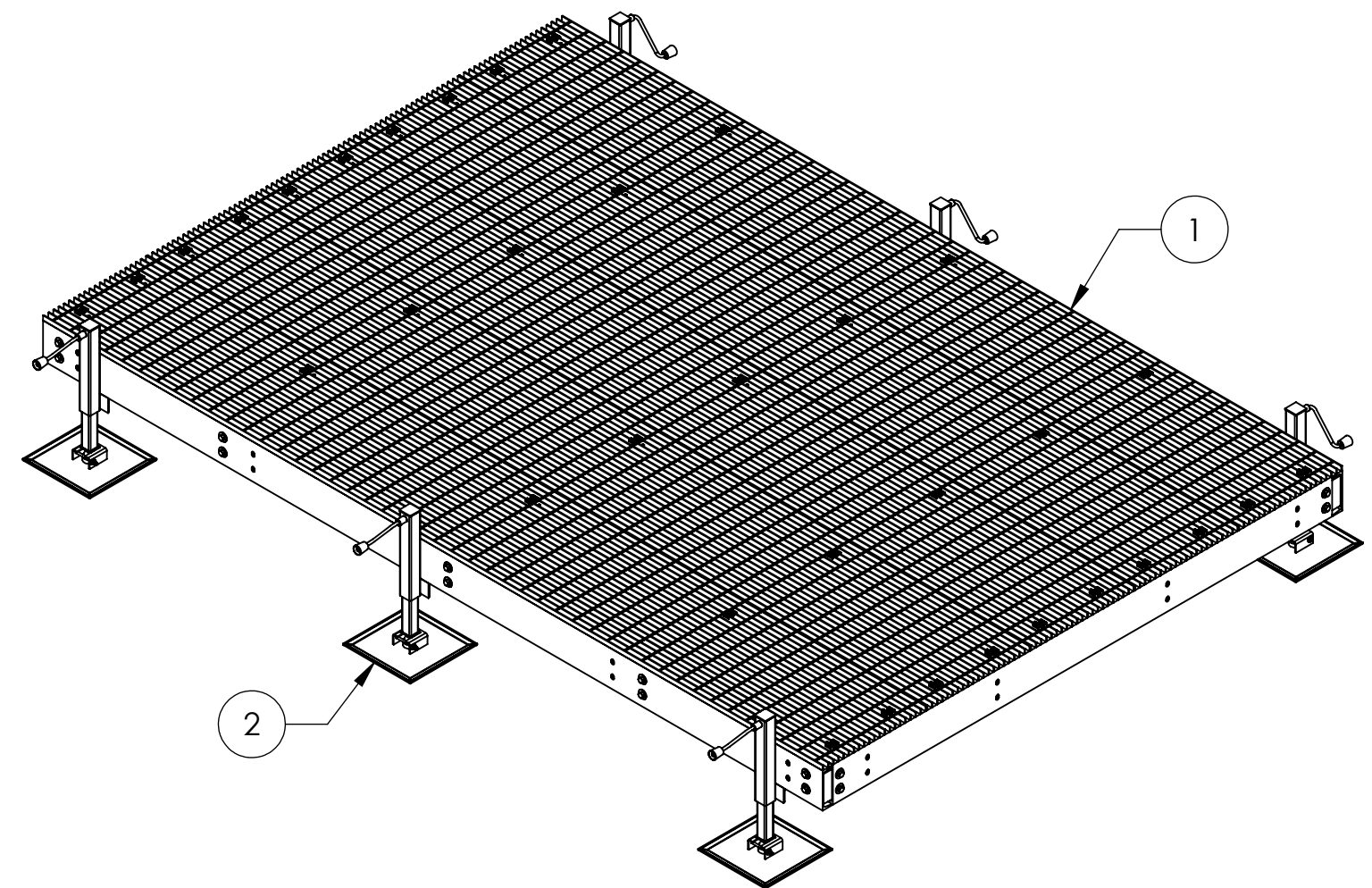
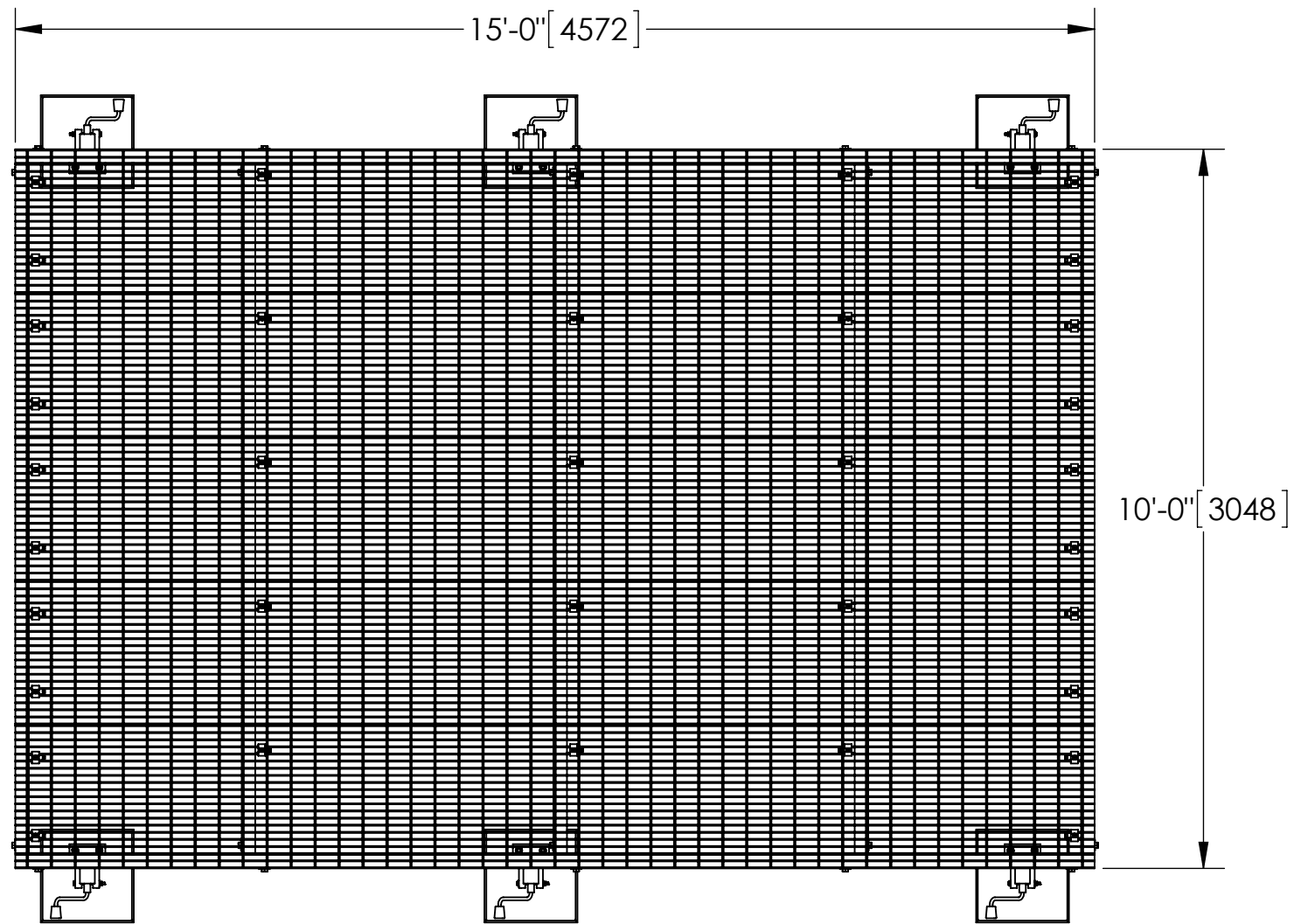



ITEM	PART NO.	DESCRIPTION	QTY.	WEIGHT
1	EQ-P1015-B	10' X 15' EQUIPMENT PLATFORM BASE	1	2063 LBS
2	EQ-P-AL	ADJUSTABLE LEG KIT FOR EQ-P SERIES	6	56.00 LBS

REVISIONS				
REV.	ECN	DESCRIPTION	BY	DATE
A		INITIAL RELEASE	ACG	04/12/05
C		UPDATE BASE PLATFORM WEIGHT	ACG	02/06/07
D	8000020038	UPDATE WEIGHT AND CHANGE BAR GRATING	RDLS	02/14/17



NOTES:
1. ALL METRIC DIMENSIONS ARE IN BRACKETS.

<small>These drawings and specifications are the proprietary property of ANDREW CORPORATION and may be used only for the specific purpose authorized in writing by Andrew Corporation.</small> ALL DIMENSIONS ARE IN INCHES U.O.S. TOLERANCES UNLESS OTHERWISE SPECIFIED: .X = ± .12 ANGLES ±2° .XX = ± .06 FRACTIONS ±1/32 .XXX = ± .03 REMOVE BURRS AND BREAK EDGES .005 DO NOT SCALE THIS PRINT	DRAWN BY: ACG	SHEET: 1 of 1	PART NUMBER: EQ-P1015-AL
	CHECKED BY: TP	SCALE: NTS	DESCRIPTION: 10' X 15' EQUIPMENT PLATFORM W/ 6 LEGS
	DATE: 04/12/05	MATERIAL: A36	DRAWING TYPE: ASSEMBLY DRAWING
	REVISION: D	FINISH: GALV A123 WEIGHT: 2399 LBS	 ORLAND PARK, IL. 60462 U.S.A.