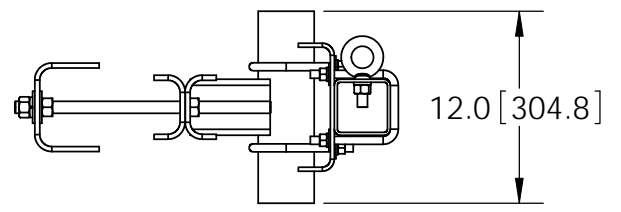
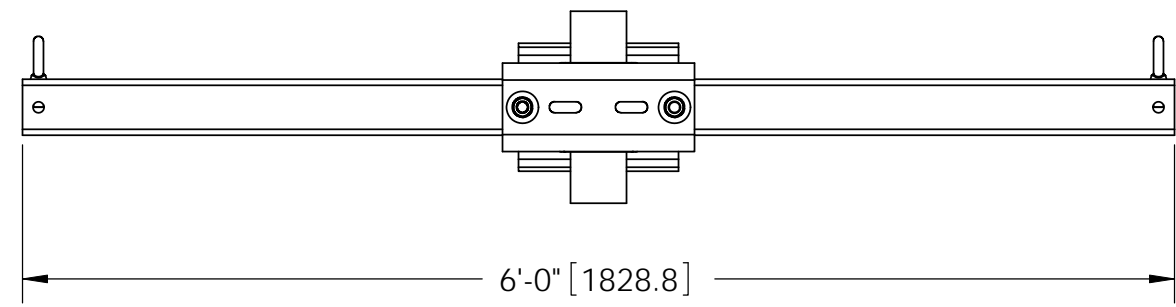
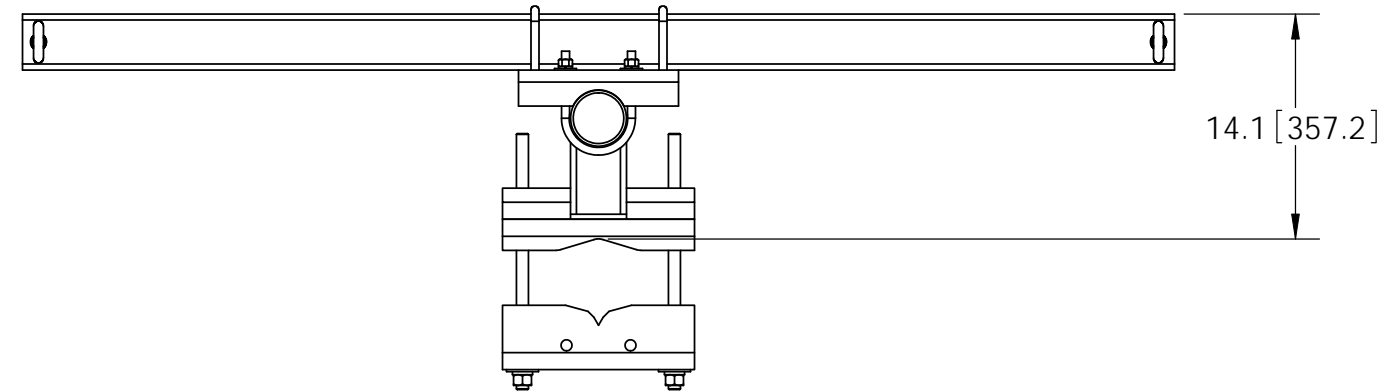
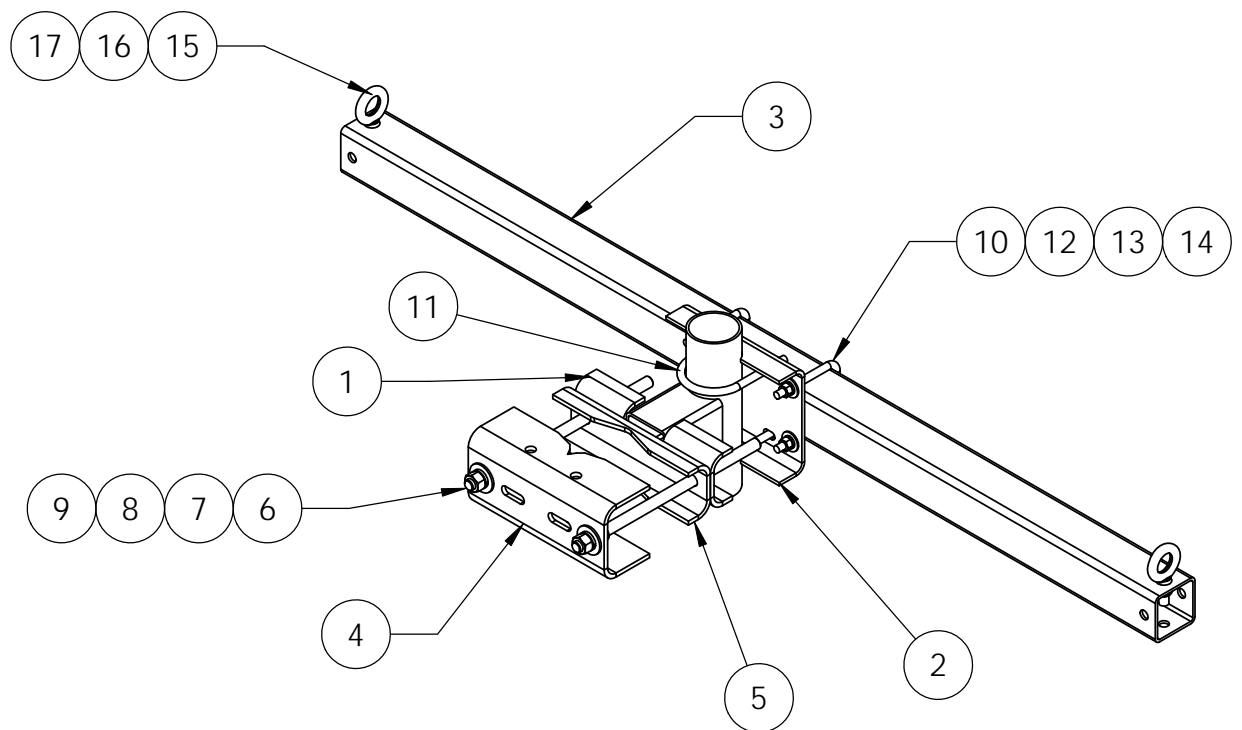


ITEM	PART NO.	DESCRIPTION	QTY.	WEIGHT
1	MTC345601	TIEBACK WELDMENT	1	14.38 LBS
2	MTC345613	CROSSOVER ADAPTER	1	7.48 LBS
3	GWTB01	6' Sq Tube Support	1	48.41 LBS
4	SMU208004	MOUNT	1	12.15 LBS
5	SMU2080.06	CLAMP PLATE	1	6.43 LBS
6	MT-384-16	3/4" X 16" GALV THREADED ROD	2	1.99 LBS
7	GWF-06	3/4" GALV FLAT WASHER	4	0.10 LBS
8	GWL-06	3/4" GALV LOCK WASHER	4	0.00 LBS
9	GN-06	3/4" GALV HEX NUT	6	0.04 LBS
10	MTC9078	1/2" x 3-5/8" x 5" GALV SQUARE U-BOLT	2	0.78 LBS
11	GUB-4356	1/2" X 3-5/8" X 6" GALV U-BOLT	2	0.82 LBS
12	GWF-04	1/2" GALV FLAT WASHER	8	0.03 LBS
13	GWL-04	1/2" GALV LOCK WASHER	8	0.00 LBS
14	GN-04	1/2" GALV HEX NUT	8	0.04 LBS
15	GB-05SB	Eye Bolt 5/8" Dia 1-3/4" Long	2	0.73 LBS
16	GWL-05	5/8" GALV LOCK WASHER	2	0.00 LBS
17	GN-05	5/8" GALV HEX NUT	2	0.04 LBS

REVISIONS				
REV.	ZONE	DESCRIPTION	BY	DATE
A		INITIAL RELEASE	MSM	09/06/12



NOTES:  
 1. ALL METRIC DIMENSIONS ARE IN BRACKETS.  
 2. FIT TOWER LEGS...90° ANGLE 6", 60° ANGLE 8", AND 8-5/8" OD ROUND.

These drawings and specifications are the proprietary property of CommScope Inc. and may be used only for the specific purpose authorized in writing by CommScope Inc.  ALL DIMENSIONS ARE IN INCHES U.O.S. TOLERANCES UNLESS OTHERWISE SPECIFIED: .X = ± .12      ANGLES ±2° .XX = ± .06      FRACTIONS ±1/32 .XXX = ± .03  REMOVE BURRS AND BREAK EDGES .005  DO NOT SCALE THIS PRINT	DRAWN BY: MSM	SHEET: 1 of 1	PART NUMBER: GW-TB
	CHECKED BY: TP	SCALE: NTS	DESCRIPTION: Guy Wire Tie Back, 6'
	DATE: 09/06/12	MATERIAL: A36, A500	DRAWING TYPE: ASSEMBLY DRAWING
	REVISION: A	FINISH: GALV A123	<b>COMMSCOPE®</b> Hickory, NC 28602 U.S.A.
		WEIGHT: 99.81 LBS	