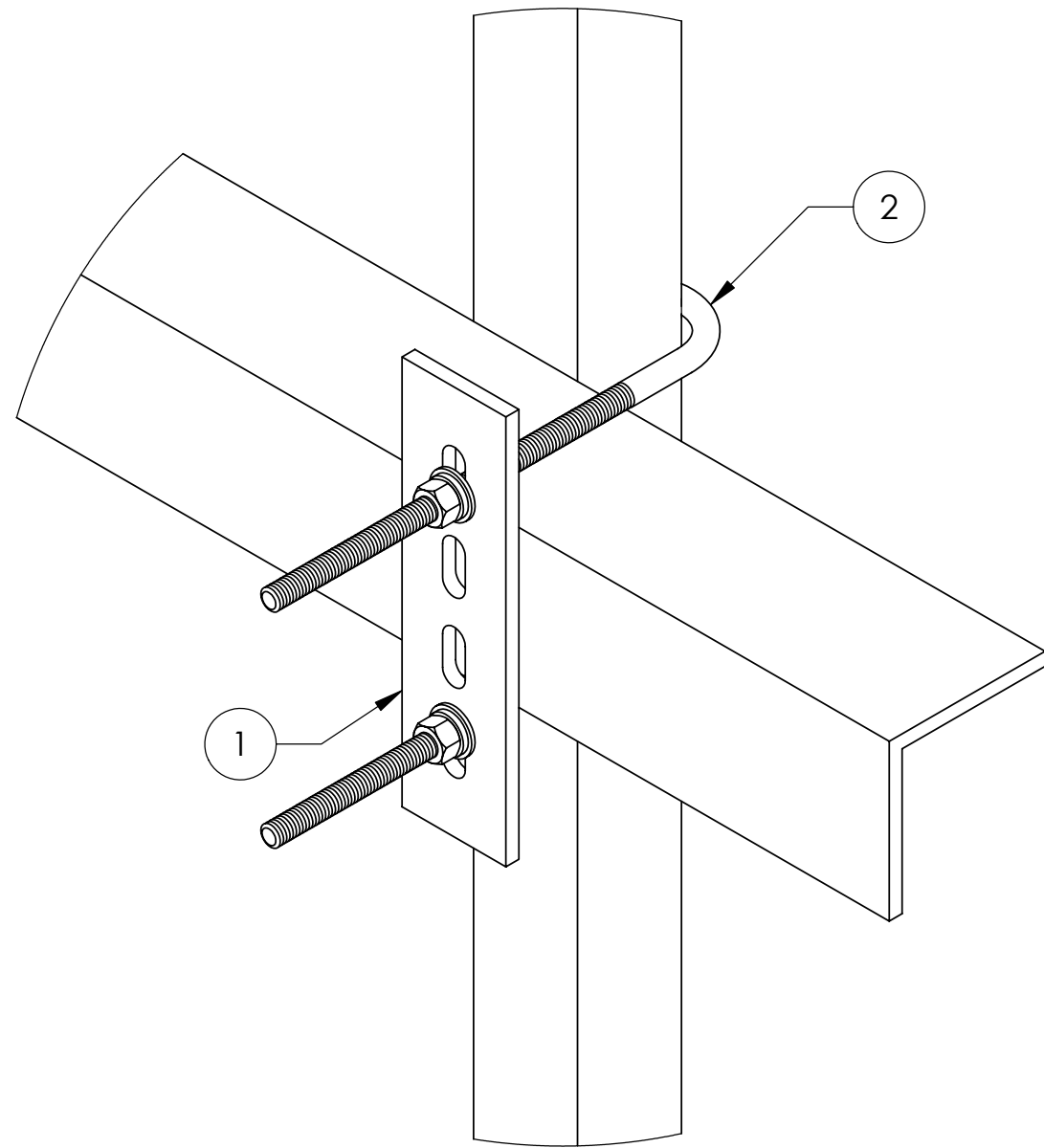


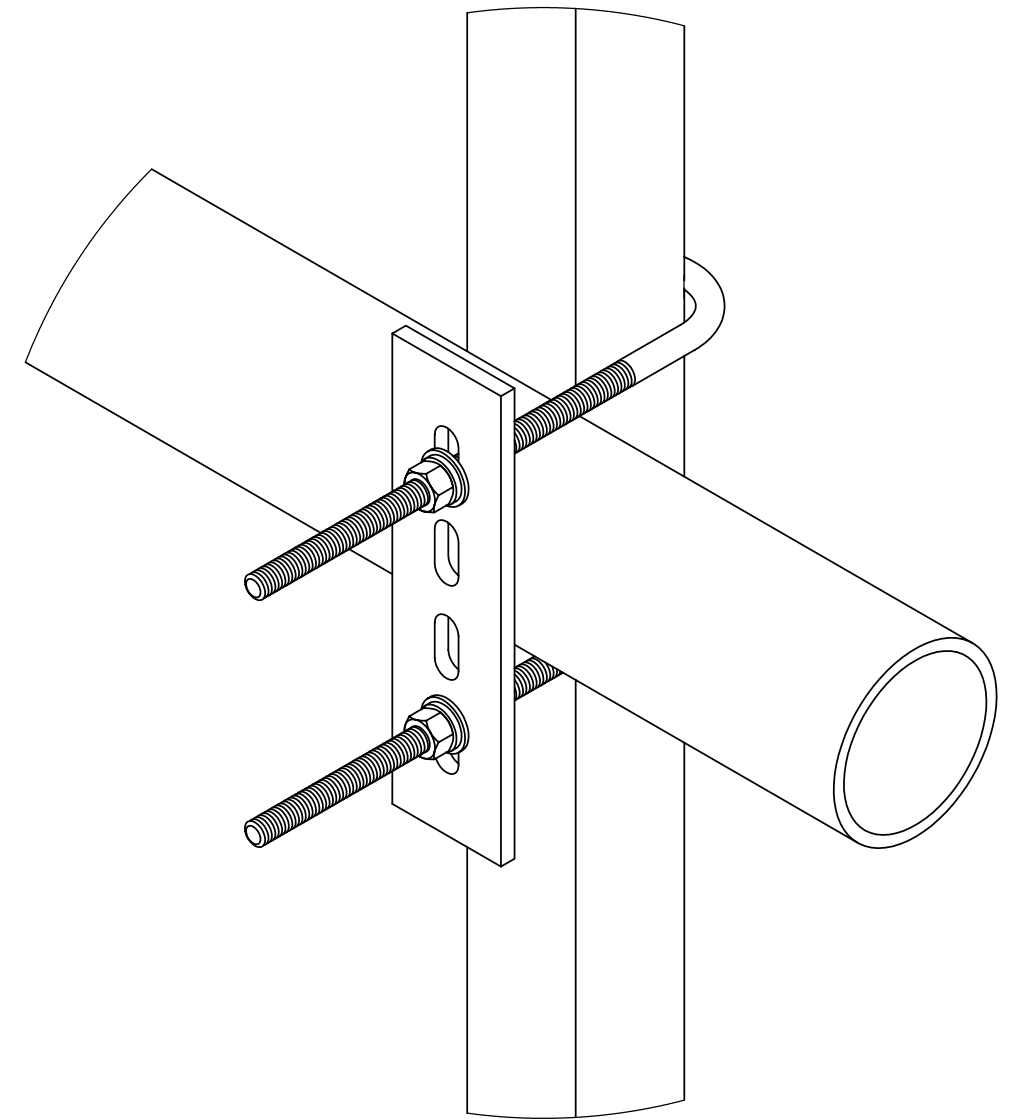
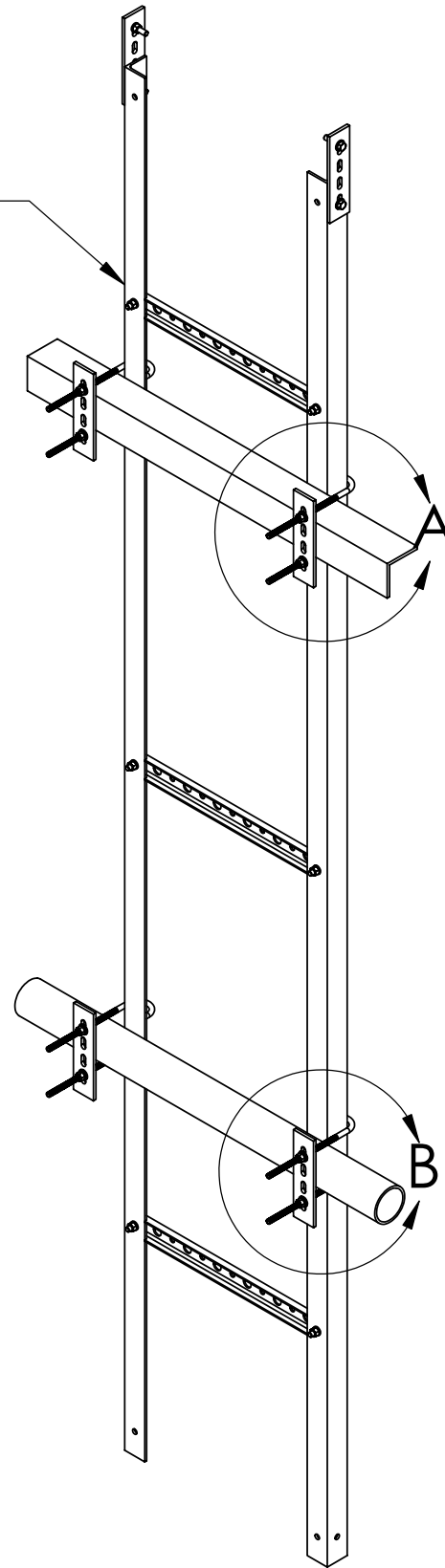
ITEM	PART NO.	DESCRIPTION	QTY.	WEIGHT
1	HKCLU.02	BACKING PLATE	2	0.95 LBS
2	JB-8K	8" GALV J-BOLT KIT	4	0.36 LBS

REVISIONS				
REV.	ZONE	DESCRIPTION	BY	DATE
D		REMOVED HKCLU.01	ACG	01/14/05

CABLE LADDER KIT
SOLD SEPARATELY



DETAIL A
ANGLE MEMBER



DETAIL B
ROUND MEMBER

NOTE:
1. EACH J-BOLT INCLUDES ONE 3/8" FLAT WASHER,
LOCK WASHER AND NUT.

These drawings and specifications are the proprietary property of ANDREW CORPORATION and may be used only for the specific purpose authorized in writing by Andrew Corporation.

ALL DIMENSIONS ARE IN INCHES U.O.S.
TOLERANCES UNLESS OTHERWISE SPECIFIED:
.X = .06 ANGLES 2°
.XX = .03 FRACTIONS 1/32
.XXX = .010

REMOVE BURRS AND BREAK EDGES .005

DO NOT SCALE THIS PRINT

DRAWN BY: ACG	SHEET: 1 of 1
CHECKED BY: TP	SCALE: NTS
DATE: 01/14/05	MATERIAL: A36
REVISION: D	FINISH: GALV A123
	WEIGHT: 3.35 LBS

PART NUMBER: HK-CL-U
DESCRIPTION: UNIVERSAL LADDER CLAMP KIT
DRAWING TYPE: ASSEMBLY DRAWING

ORLAND PARK, IL. 60462 U.S.A.