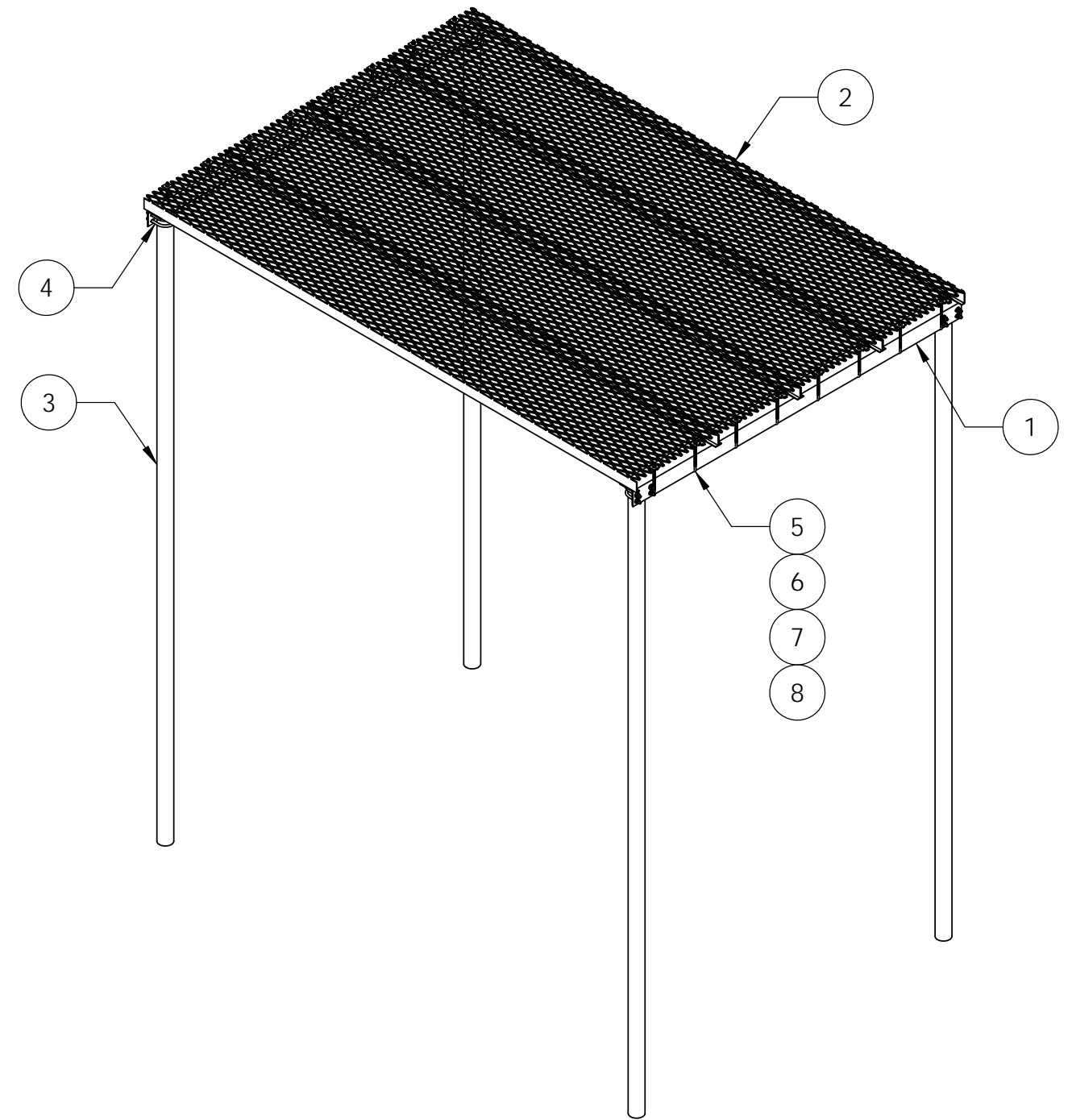
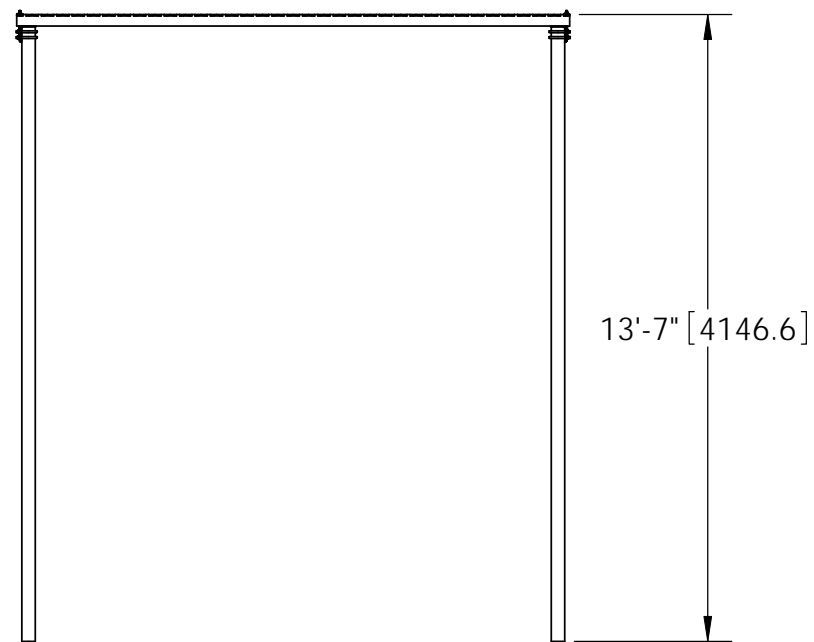
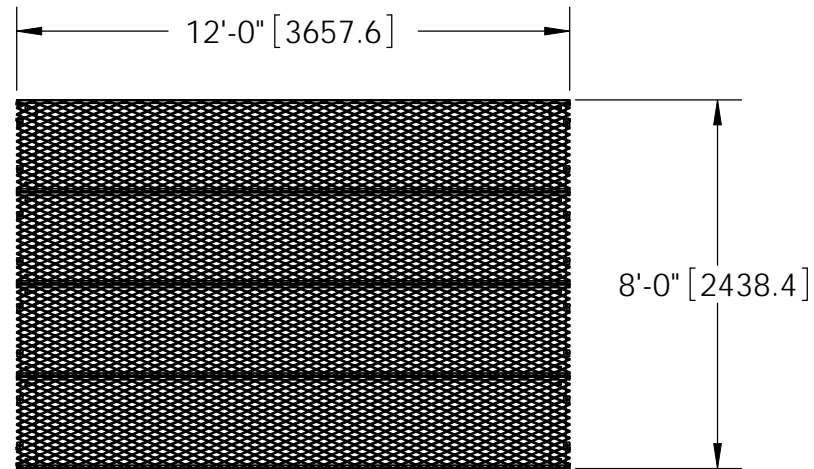



ITEM	PART NO.	DESCRIPTION	QTY.	WEIGHT
1	MTC9660.01	8' ICE SHIELD SUPPORT BRACKET	2	51.95 LBS
2	MTC9631.01	24" X 12' SAFETY GRATING	4	133.00 LBS
3	MF-130	Ø 3.5" O.D. X 13'-4" DIRECT BURIAL PIPE COLUMN	4	101.38 LBS
4	GUB-4355	1/2" X 3-5/8" X 5" GALV U-BOLT	8	0.57 LBS
5	GJB0380	8" GALV J-BOLT KIT	16	0.25 LBS
6	MT-387	SQUARE WASHER, 1-1/2" X 1-5/8" W/ 7/16" HOLE	16	0.12 LBS
7	GWL-03	3/8" GALV LOCK WASHER	16	0.01 LBS
8	GN-03	3/8" GALV HEX NUT	16	0.04 LBS

REVISIONS				
REV.	ZONE	DESCRIPTION	BY	DATE
A		INITIAL RELEASE	ACG	03/10/10



NOTES:  
1. ALL METRIC DIMENSIONS ARE IN BRACKETS.

<small>These drawings and specifications are the proprietary property of ANDREW CORPORATION and may be used only for the specific purpose authorized in writing by Andrew Corporation.</small> <b>ALL DIMENSIONS ARE IN INCHES U.O.S.</b> TOLERANCES UNLESS OTHERWISE SPECIFIED: .X = ± .06      ANGLES      ±2° .XX = ± .03      FRACTIONS      ±1/32 .XXX = ± .010 REMOVE BURRS AND BREAK EDGES .005	DRAWN BY: ACG	SHEET: 1 of 1	PART NUMBER: IC-0812-B
	CHECKED BY: TP	SCALE: NTS	DESCRIPTION: 8' X 12' ICE CANOPY
	DATE: 03/10/10	MATERIAL: A36, A53, A568	DRAWING TYPE: ASSEMBLY DRAWING
	REVISION: <b>A</b>	FINISH: GALV A123	 ORLAND PARK, IL. 60462 U.S.A.
DO NOT SCALE THIS PRINT	WEIGHT: 1054.75 LBS		