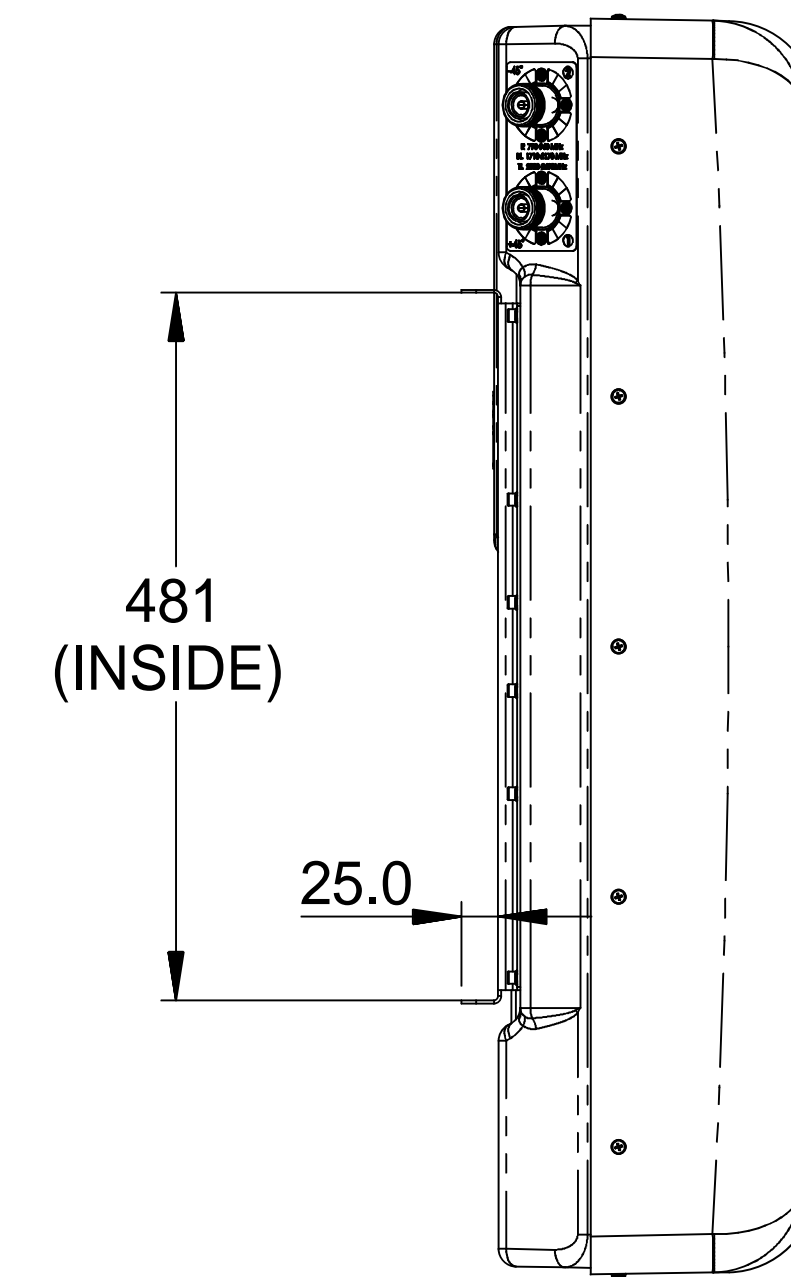
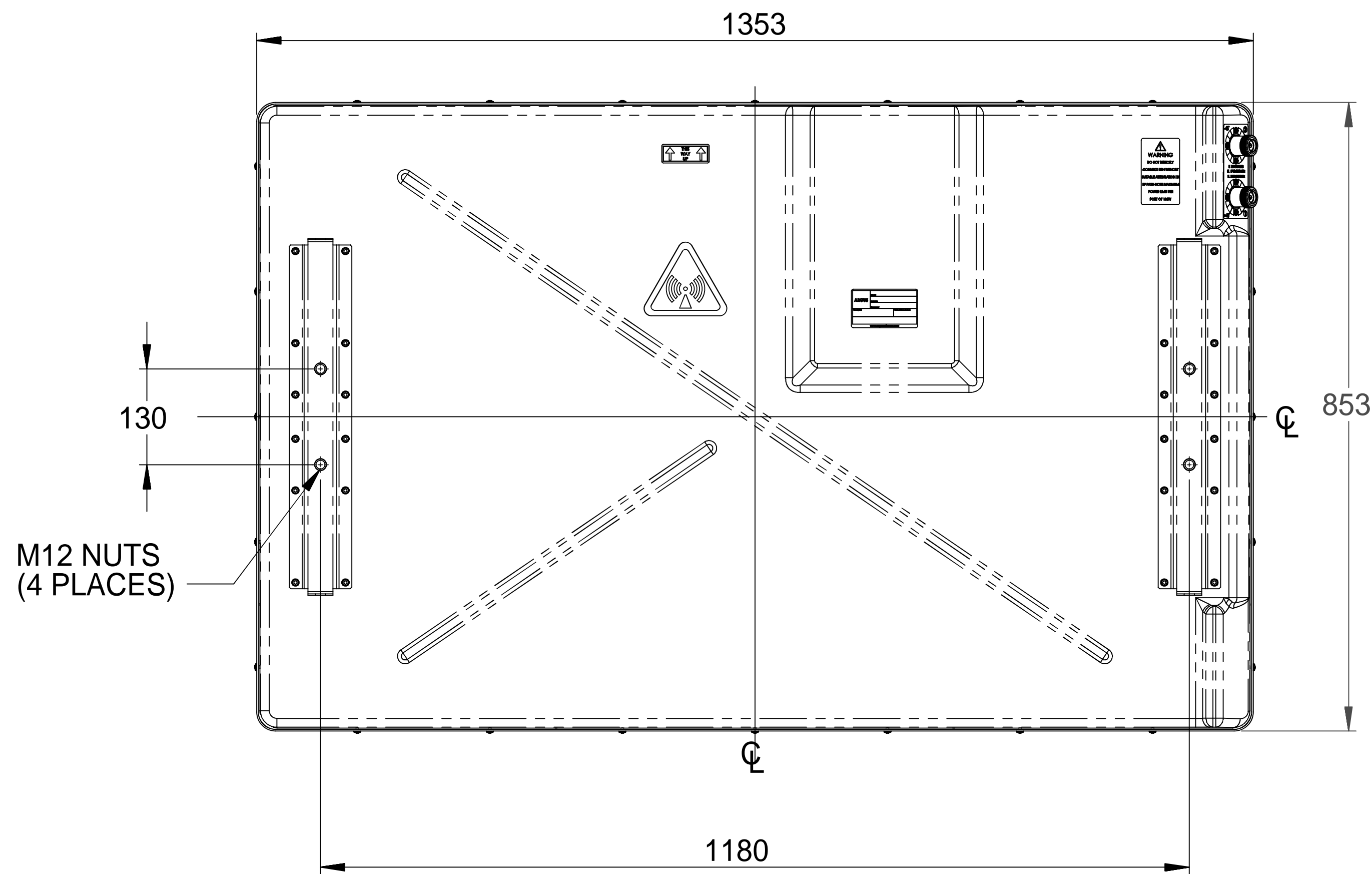
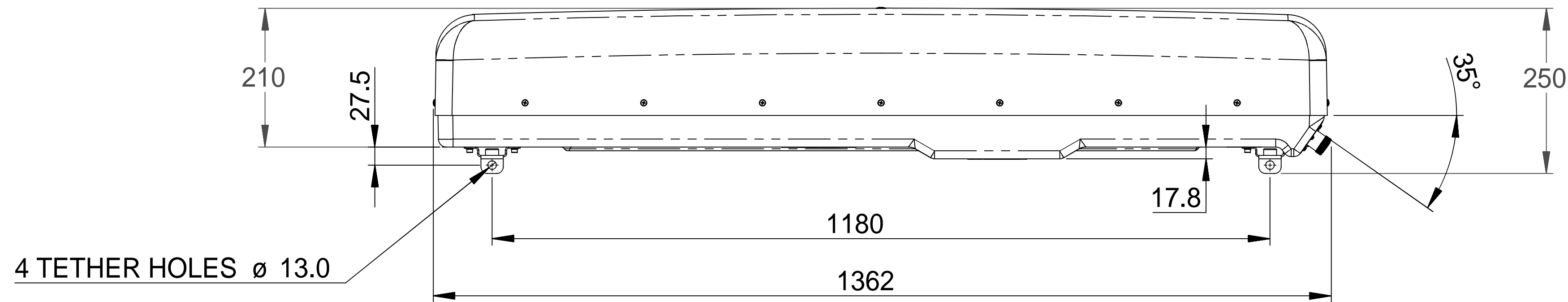


ZONE	REV.	ECR	DESCRIPTION	DRAWN BY	DATE
-	A	8000004824	INITIAL ISSUE	S.Z	20/08/2014
	B	8000005814	UPDATE AS REQUIRED	A.P.	31/10/2014



CNLPX3055F

ARGUS		COMMSCOPE®	
UNLESS OTHERWISE SPECIFIED DIMENSIONS ARE IN MILLIMETRES. TOLERANCES ARE:		DESCRIPTION: PRODUCT DRAWING	
0 - 20 ±1 HOLE \varnothing ±1		DWG REV B	
>20-100 ±1 HOLE \varnothing ±1		DATE: 20/08/2014	
>100-200 ±1 ANGULAR ±1°		PART/DWG NUMBER: CNLPX3055F-L	
>200 ±1		MATERIAL: N/A	
DRAWN TO AS1100		3D MOD: A.P.	
FINISH: SEE NOTES		SCALE: 1:15 A3	
		DRAWN: S.Z	
		DATE: 31/10/2014	
		SHEET 1 OF 1	