

8

7

6

5

4

3

2

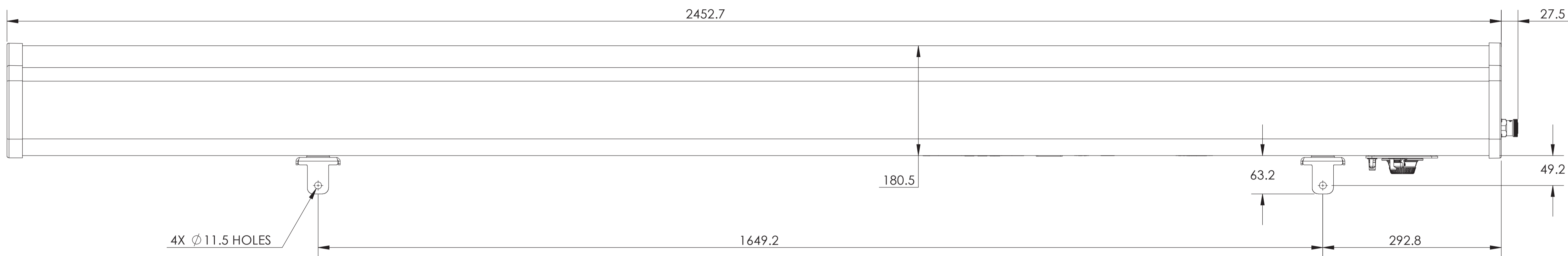
1

NOTES:

REVISIONS			
REV	DESCRIPTION	DATE	APPROVED
A	ECR 8000004221: RELEASE TO PRODUCTION PER EAO 600404.	23JUL14 LZ	LMS / WFW
B	ECR 8000006495: UPDATE DRAWING WITH LATEST MODEL.	22JAN15 QF	S.LIU/JIHE

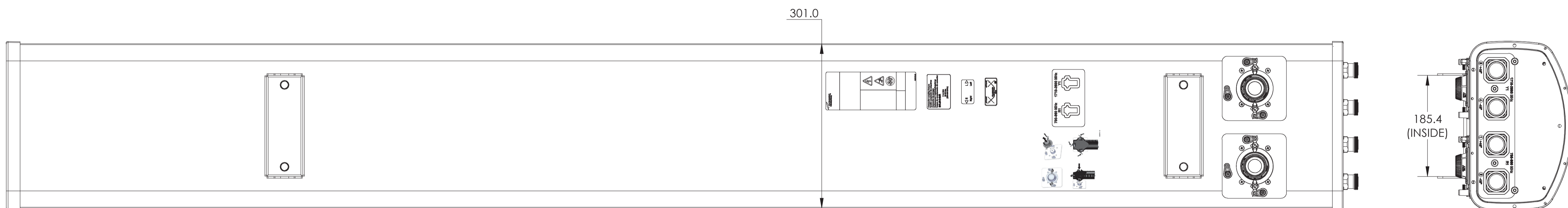
D

D



THIRD ANGLE PROJECTION

C



B

CV65CSX-M

A

A

MATERIAL N/A	DENSITY: MASS:	UNLESS OTHERWISE SPECIFIED DIMENSIONS ARE IN MILLIMETERS INTERPRET PER ISO STANDARDS HANDBOOK, TECHNICAL DRAWINGS, VOLUMES 1 & 2, THIRD EDITION (2002)	WESTCHESTER, IL. 60154 U.S.A.		
FINISH N/A	TOLERANCES 0 PLACE X± 1 PLACE .X± 2 PLACE .XX± ANGLES ± ALL SURFACES ✓	THIRD ANGLE PROJECTION 	PRODUCT DRAWING		
DRAWN BY LZ 04JUL14 ECN 8000006495-O		SIZE A1	CAGE CODE 84147	DOCUMENT NO. CV65CSX-M-L	
AUTH. GROUP 23		MODEL	DRAWING		SHEET
NOTICE: These drawings and specifications are the proprietary property of ANDREW CORPORATION and may be used only for the specific purpose authorized in writing by Andrew.		VERSION 01	STATUS RE	REVISION B	VERSION 01
		STATUS RE	REVISION B	VERSION 01	REVISION B
					1 OF 2

8

7

6

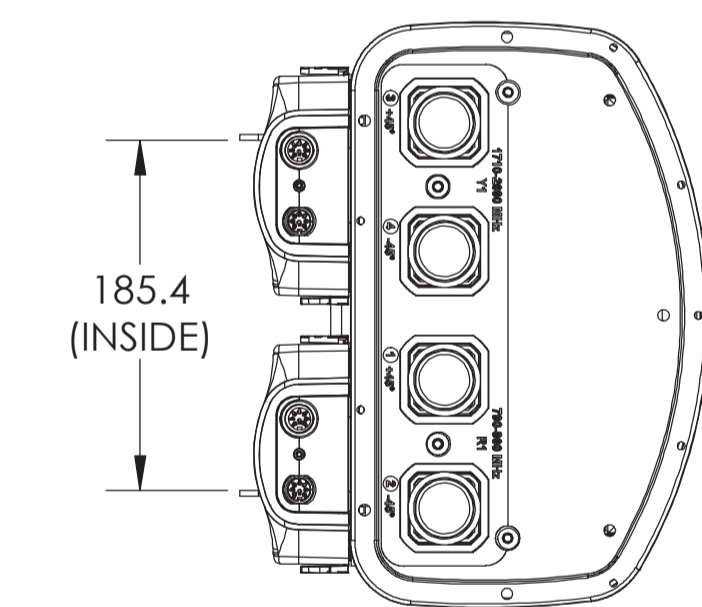
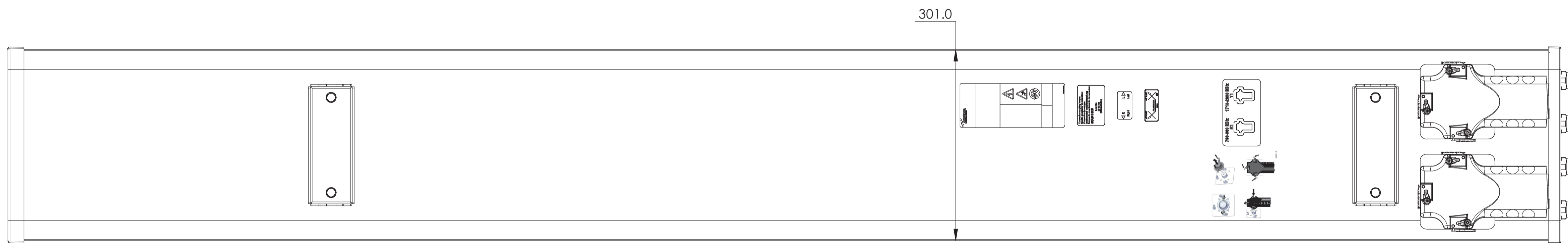
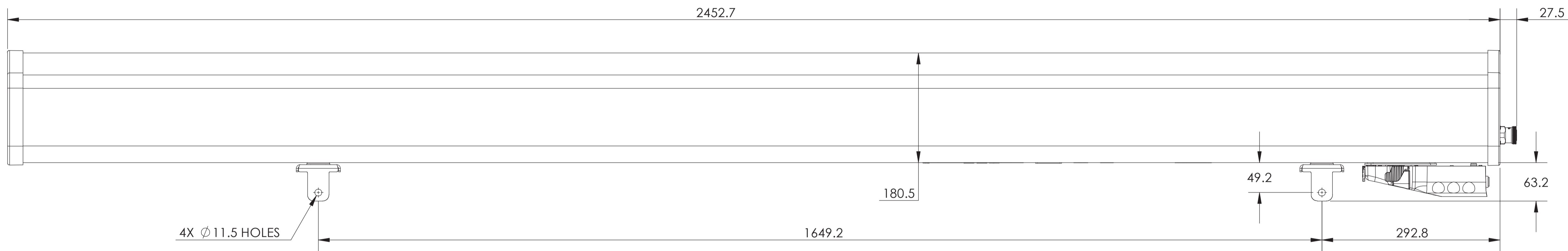
THIRD ANGLE PROJECTION

3

2

1

THIRD ANGLE PROJECTION



CV65CSX-2X2

WESTCHESTER, IL. 60154
U.S.A.

PRODUCT DRAWING

THIRD ANGLE PROJECTION



SIZE
A1 84147

DOCUMENT NO.
CV65CSX-M-L

NOTICE: These drawings and specifications are the proprietary property of ANDREW CORPORATION and may be used only for the specific purpose authorized in writing by Andrew.			
VERSION	STATUS	REVISION	SHEET
01	RE	B	2 OF 2

THIRD ANGLE PROJECTION