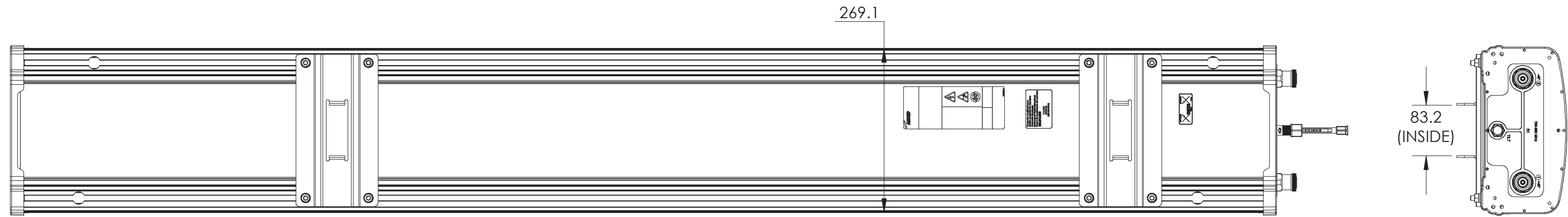
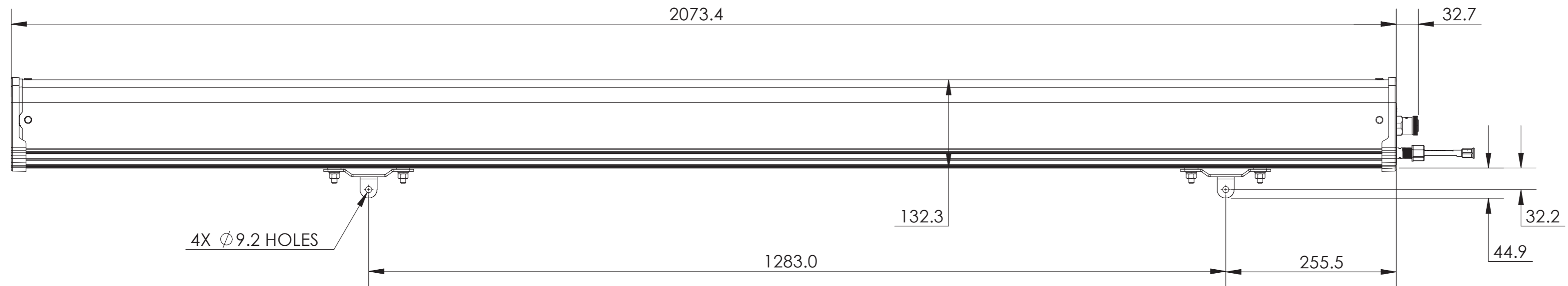


NOTES:

REVISIONS			
REV	DESCRIPTION	DATE	APPROVED
A	ECR 8000000311: REL TO PRODUCTION PER EAO 600861.	27MAR13 ZY	EB/GD
B	ECR 8000004982: UPDATE DRAWING.	03SEP14 XHX	S.LIU/JIHE
C	ECR 8000005236: ADD DXF FILE.	28SEP14 QF	S.LIU/JIHE
D	ECR 8000006070: UPDATE DRAWING WITH LATEST MODEL.	12DEC14 RY	S.LIU/JIHE



LDX-6515DS-VTM

MATERIAL N/A	DENSITY: MASS:	UNLESS OTHERWISE SPECIFIED DIMENSIONS ARE IN MILLIMETERS INTERPRET PER ISO STANDARDS HANDBOOK TECHNICAL DRAWINGS VOLUMES 1 & 2, THIRD EDITION (2002)	WESTCHESTER, IL. 60154 U.S.A.	
FINISH N/A	<p><u>TOLERANCES</u></p> 0 PLACE X ± 1 PLACE .X ± 2 PLACE .XX ± ANGLES ± ALL SURFACES ✓	<p>THIRD ANGLE PROJECTION</p>	<p>PRODUCT DRAWING</p>	
		DRAWN BY ECN 8000006070-O	SIZE A2 84147	CAGE CODE DOCUMENT NO. LDX-6515DS-VTM-L
		AUTH. GROUP 23	MODEL DRAWING	SHEET 1 OF 2
NOTICE: These drawings and specifications are the proprietary property of ANDREW CORPORATION and may be used only for the specific purpose authorized in writing by Andrew.			VERSION 03	STATUS RE
			REVISION D	VERSION 03
			STATUS RE	REVISION D

D
C
B
A

D
C
B
A

4

3

2

1

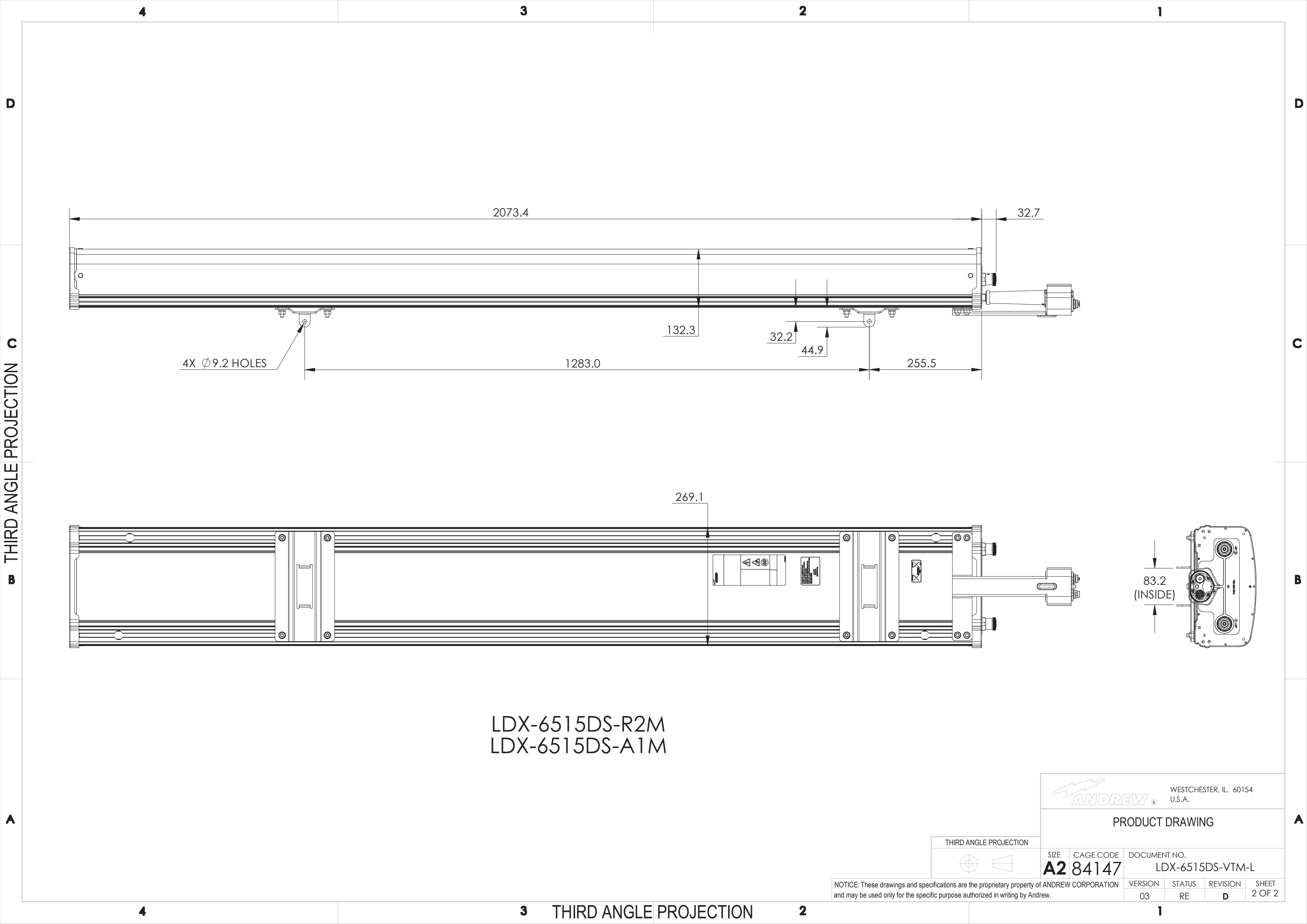
4

3

2

1

THIRD ANGLE PROJECTION



LDX-6515DS-R2M
LDX-6515DS-A1M

ANDREW® WESTCHESTER, IL. 60154
U.S.A.

PRODUCT DRAWING

THIRD ANGLE PROJECTION		SIZE	CAGE CODE	DOCUMENT NO.	VERSION	STATUS	REVISION	SHEET
		A2	84147	LDX-6515DS-VTM-L	03	RE	D	2 OF 2

NOTICE: These drawings and specifications are the proprietary property of ANDREW CORPORATION and may be used only for the specific purpose authorized in writing by Andrew.