

4

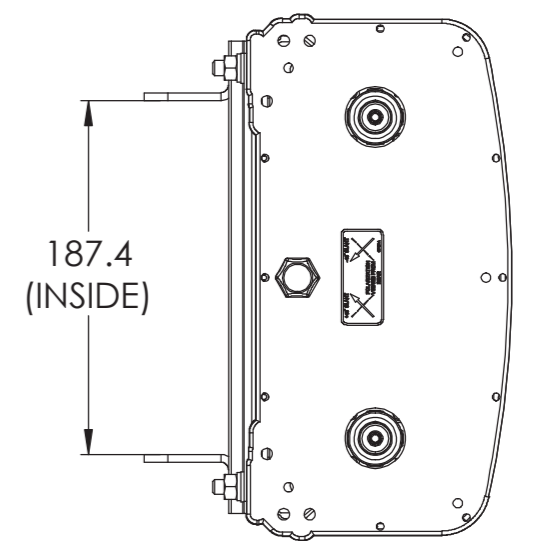
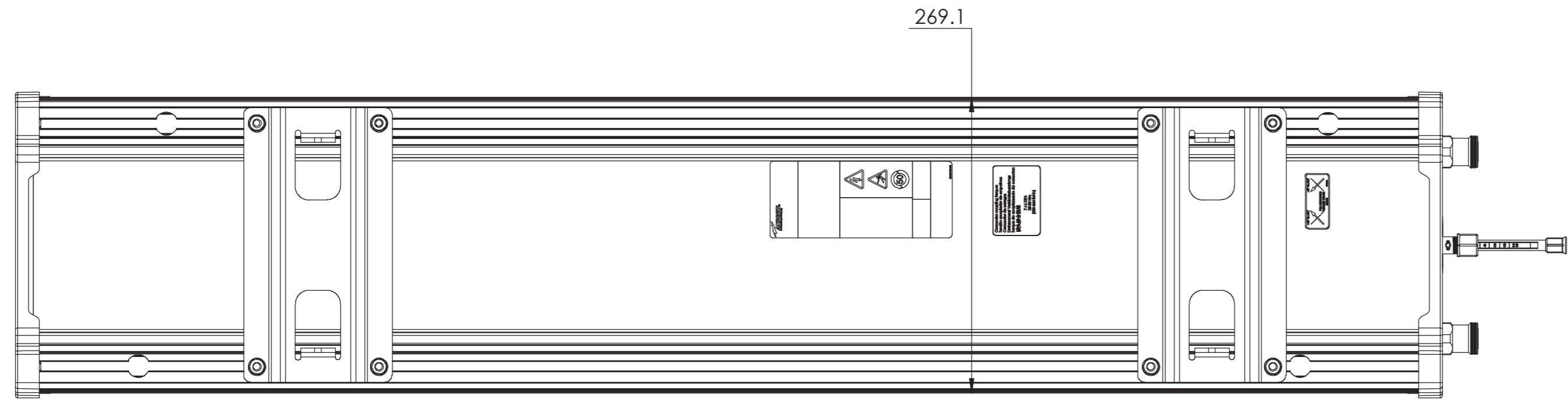
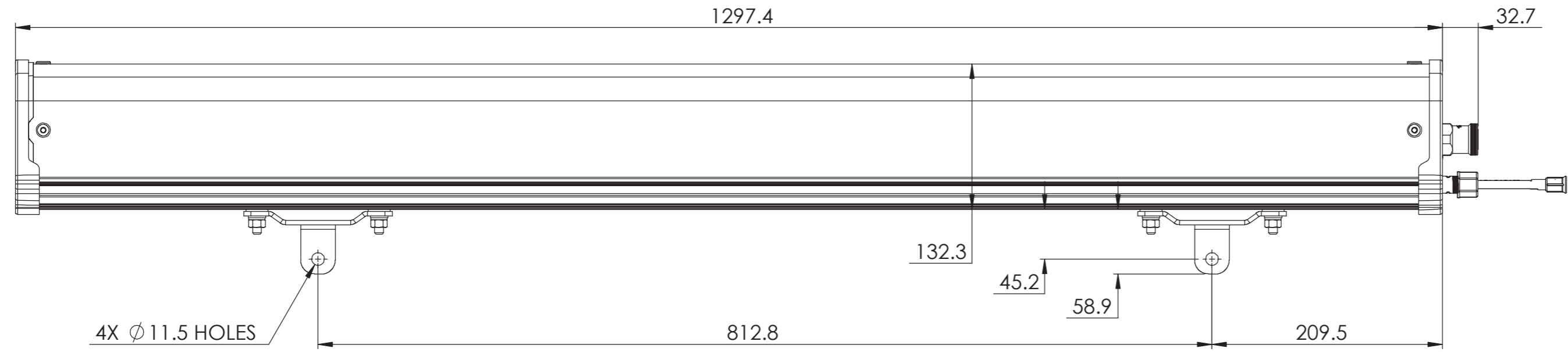
3

2

1

NOTES:

REVISIONS			
REV.	DESCRIPTION	DATE	APPROVED
A	ECR 7003498: REL TO PRODUCTION.	7AUG12 QJ	S.LIU/GUXU
B	ECR 7004596: UPDATE DRAWING.	9OCT12 QJ	GD/CYXU
C	ECR 8000001272: LINK LDX_6513DS1_VTM TO DRAWING.	20AUG13 K.W	HXXU/CY
D	ECR 8000006153: UPDATE DRAWING WITH LATEST MODEL.	26DEC14 ZW	S.LIU/JIHE



LDX_6513DS_VTM
LDX_6513DS1_VTM

MATERIAL N/A	DENSITY: MASS:	UNLESS OTHERWISE SPECIFIED DIMENSIONS ARE IN MILLIMETERS INTERPRET PER ISO STANDARDS HANDBOOK TECHNICAL DRAWINGS VOLUMES 1 & 2, THIRD EDITION (2002)	WESTCHESTER, IL. 60154 U.S.A.	
FINISH N/A	<u>TOLERANCES</u> 0 PLACE X ± 1 PLACE .X ± 2 PLACE .XX ± ANGLES ± ALL SURFACES ✓	THIRD ANGLE PROJECTION 	PRODUCT DRAWING	
DRAWN BY QJ 7AUG12		SIZE A2	CAGE CODE 84147	DOCUMENT NO. LDX_6513DS_VTM-L
AUTH. GROUP 23		MODEL	DRAWING	
NOTICE: These drawings and specifications are the proprietary property of ANDREW CORPORATION and may be used only for the specific purpose authorized in writing by Andrew.		VERSION 03	STATUS RE	REVISION D
		VERSION 03	STATUS RE	REVISION D
				SHEET 1 OF 2

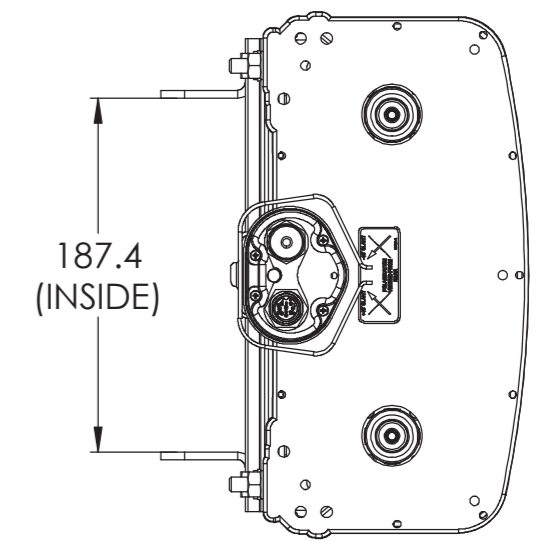
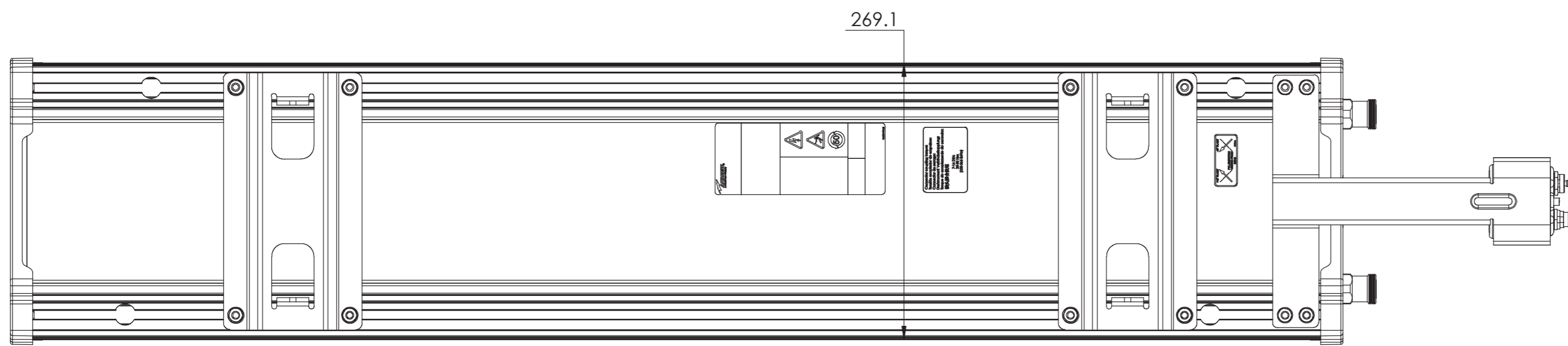
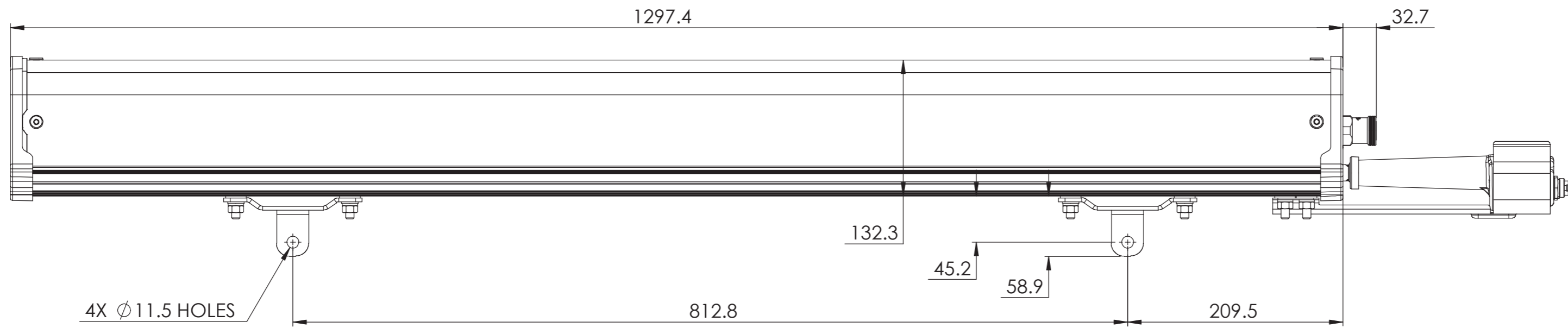
4

3

2

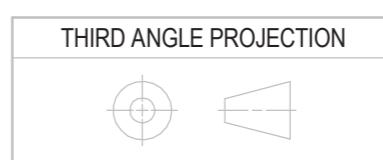
1

THIRD ANGLE PROJECTION



LDX_6513DS_A1M

ANDREW WESTCHESTER, IL. 60154
U.S.A.



PRODUCT DRAWING				
SIZE	CAGE CODE	DOCUMENT NO.		
A2	84147	LDX_6513DS_VTM-L		
VERSION	STATUS	REVISION	SHEET	
03	RE	D	2 OF 2	

NOTICE: These drawings and specifications are the proprietary property of ANDREW CORPORATION and may be used only for the specific purpose authorized in writing by Andrew.

D
C
B
A

D
C
B
A

4

3

2

1

4

3

2

1

THIRD ANGLE PROJECTION