

4

3

2

1

NOTES:

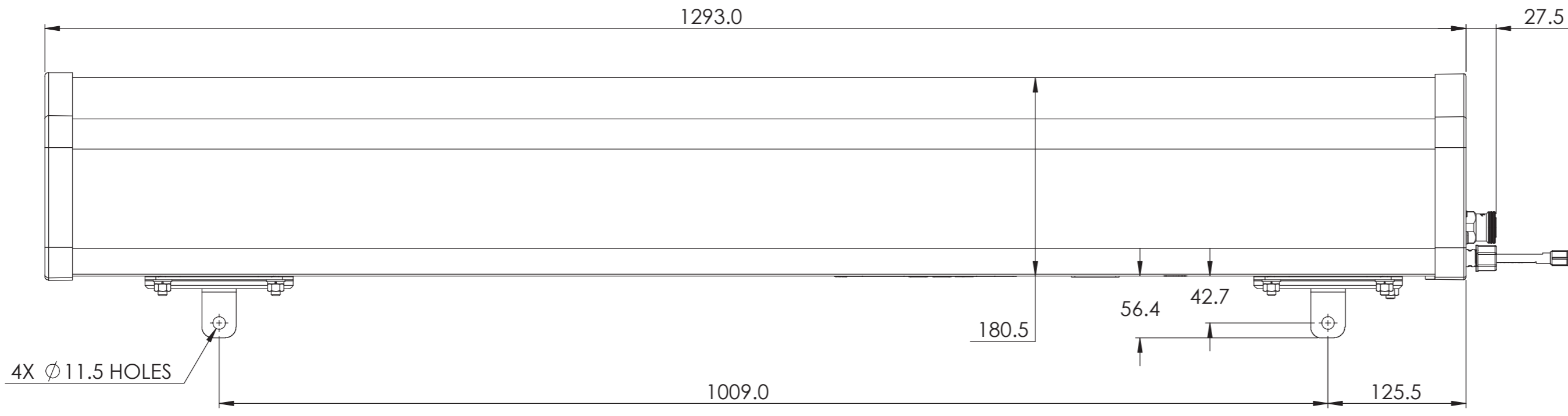
REVISIONS			
REV	DESCRIPTION	DATE	APPROVED
A	RELEASE PER EAO 4005286: ECR 5084670	3/6/2012	XA / ZB
B	ECR 8000000229: UPDATE DRAWING.	29MAR13 DYT	EB/GD
C	ECR 8000001225: ADD LRX-8512DS-R2M.	12AUG13 ZHW	S.LIU/JIHE
D	ECR 8000005285: ADD DXF FILE.	09OCT14 XHX	S.LIU/JIHE

D

D

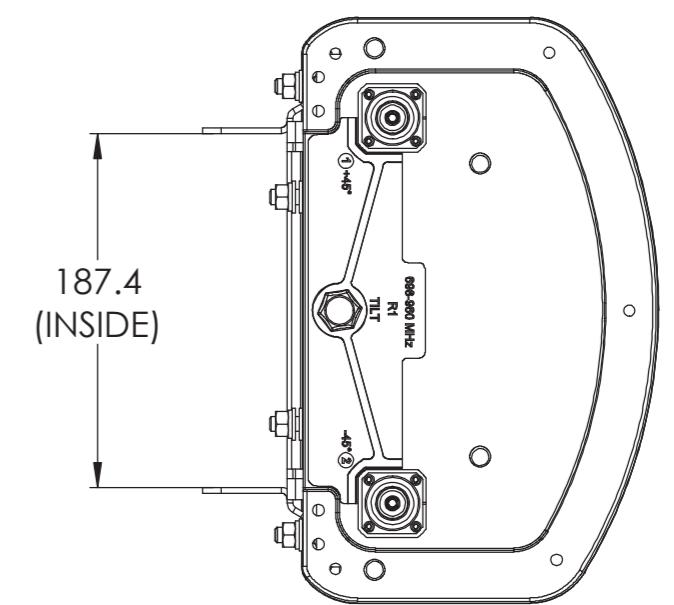
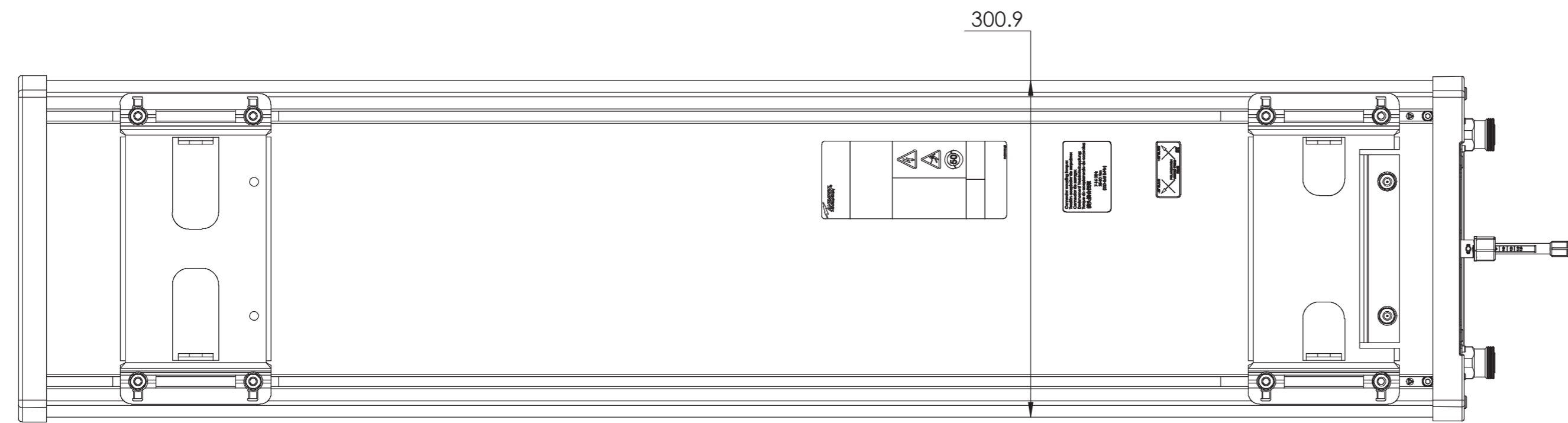
C

C



B

B



LRX-8512DS-VTM

A

A

MATERIAL	DENSITY:	UNLESS OTHERWISE SPECIFIED DIMENSIONS ARE IN MILLIMETERS INTERPRET PER ISO STANDARDS HANDBOOK TECHNICAL DRAWINGS VOLUMES 1 & 2, THIRD EDITION (2002)	WESTCHESTER, IL. 60154 U.S.A.						
	MASS:								
FINISH	TOLERANCES		THIRD ANGLE PROJECTION						
	0 PLACE X ±								
	1 PLACE .X ±								
	2 PLACE .XX ±								
ANGLES ±		DRAWN BY 3/6/2012 CD	SIZE A2	CAGE CODE 84147	DOCUMENT NO. LRX-8512DS-VTM-L				
ALL SURFACES ✓		ECN 8000005285-O	AUTH. GROUP 23	MODEL	DRAWING				
NOTICE: These drawings and specifications are the proprietary property of ANDREW CORPORATION and may be used only for the specific purpose authorized in writing by Andrew.			VERSION 02	STATUS RE	REVISION C	VERSION 03	STATUS RE	REVISION D	SHEET 1 OF 2

4

3

2

1

THIRD ANGLE PROJECTION

4

3

2

1

D

D

C

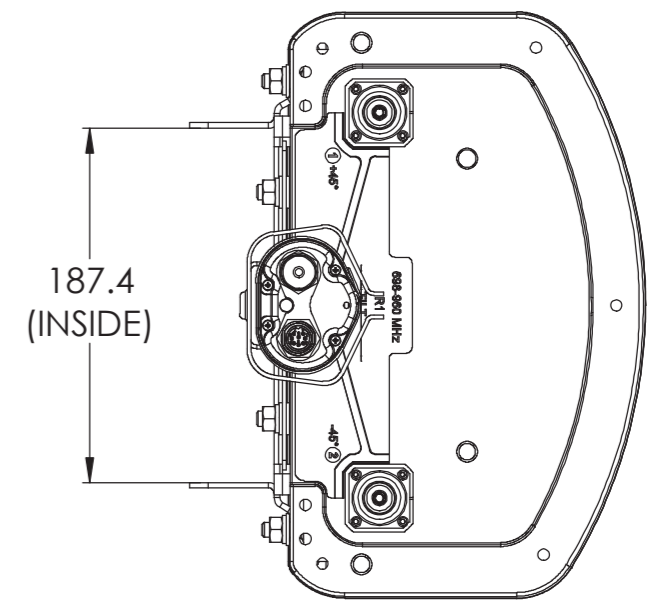
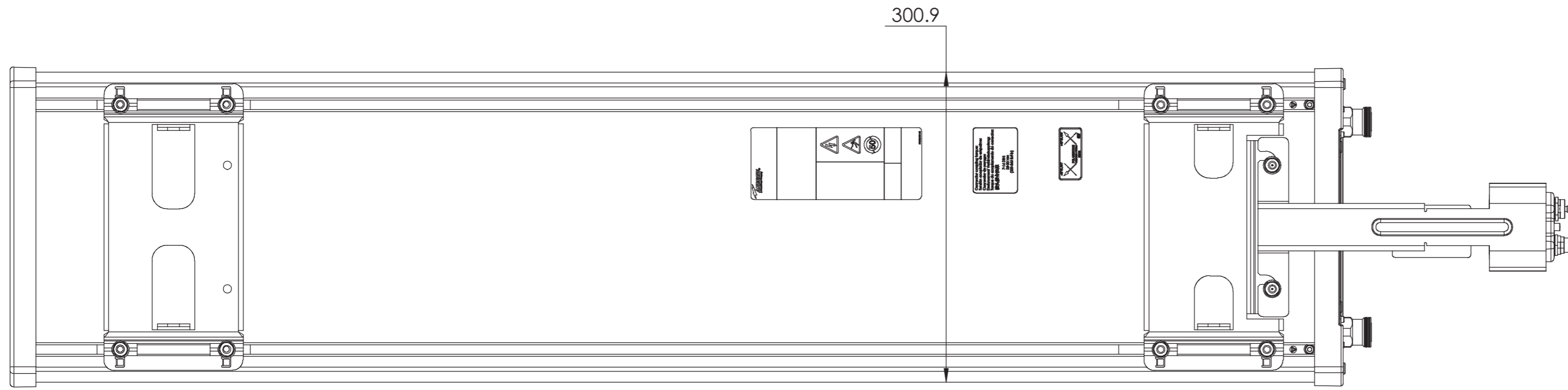
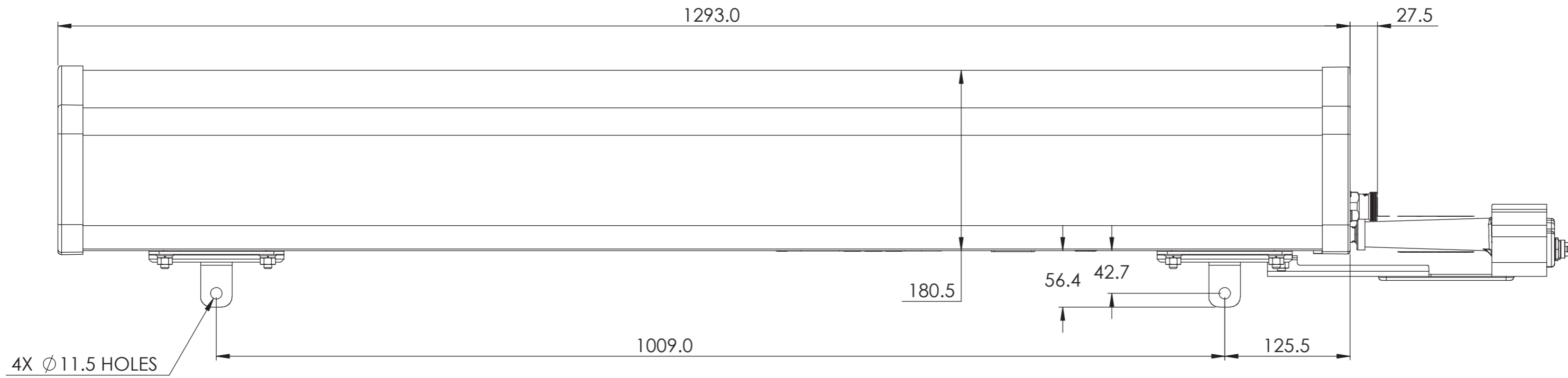
C

B

B

A

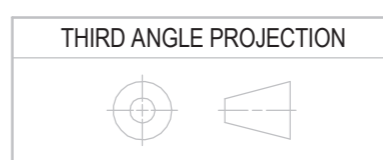
A



LRX-8512DS-A1M
LRX-8512DS-R2M

ANDREW® WESTCHESTER, IL. 60154
U.S.A.

PRODUCT DRAWING



SIZE	CAGE CODE	DOCUMENT NO.
A2	84147	LRX-8512DS-VTM-L

NOTICE: These drawings and specifications are the proprietary property of ANDREW CORPORATION and may be used only for the specific purpose authorized in writing by Andrew.	VERSION	STATUS	REVISION	SHEET
	03	RE	D	2 OF 2

4

3

2

1

THIRD ANGLE PROJECTION