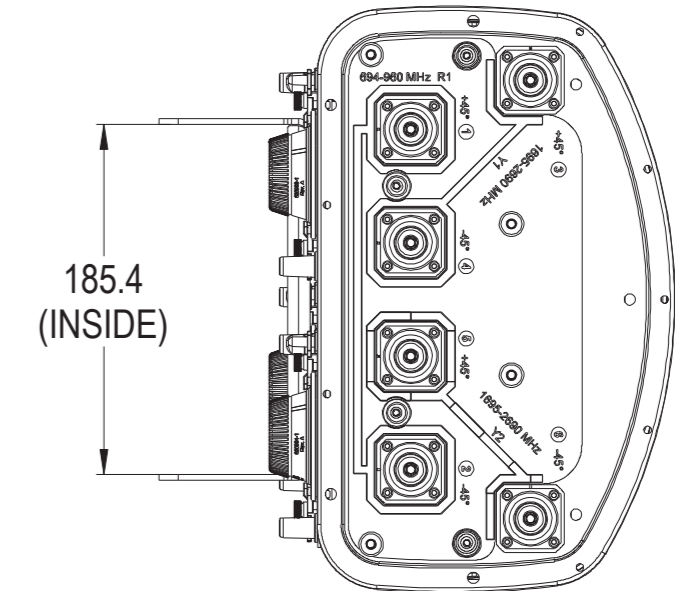
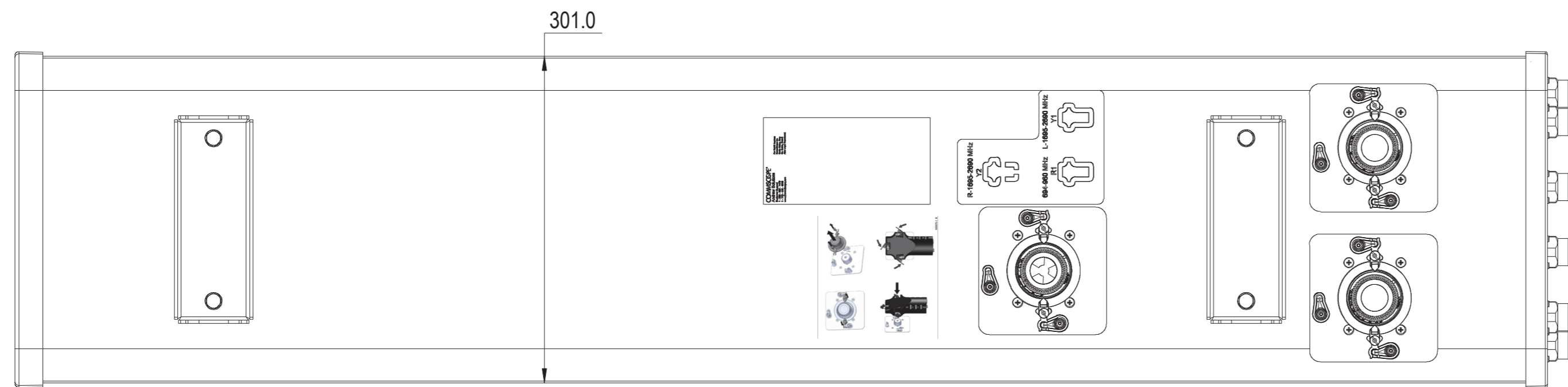
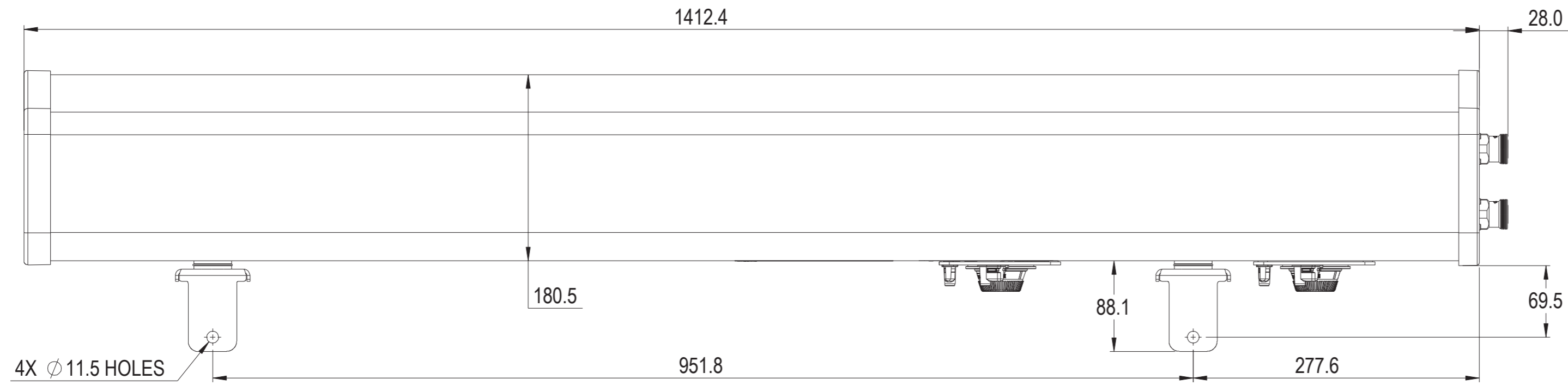


NOTES:

REVISIONS			
REV.	DESCRIPTION	DATE	APPROVED
A	ECR 8000007328: RELEASE TO PRODUCTION PER EAO 602540.	03JUN15 L.Z	LMS / L.TIAN



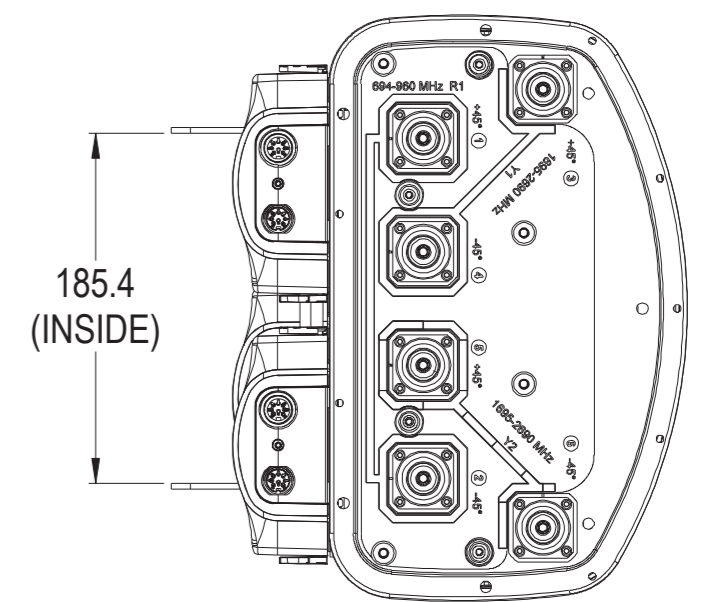
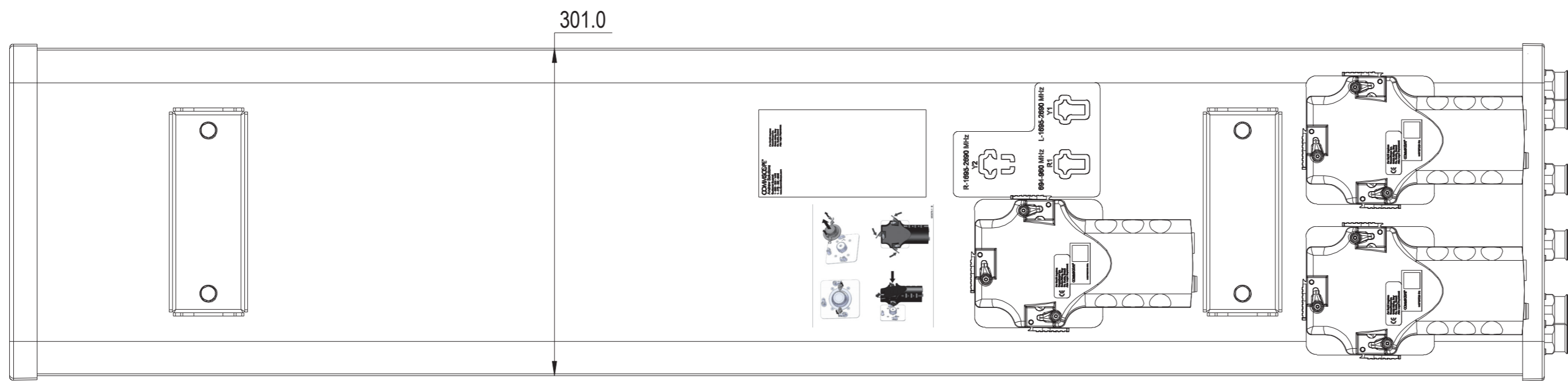
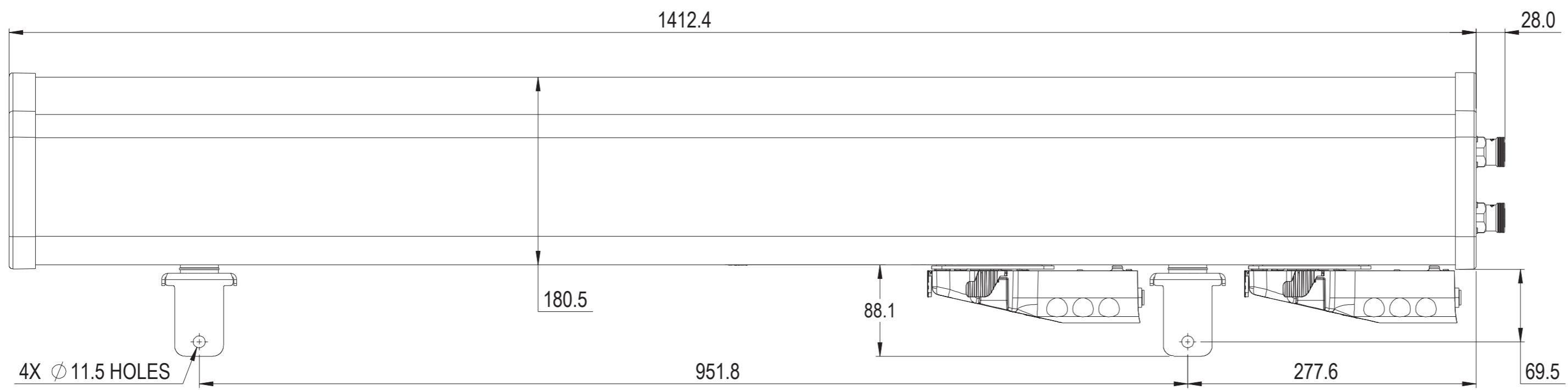
RVV65A-M

COMMSCOPE, INC. OF NORTH CAROLINA																																
TOLERANCES					SAP MATERIAL MASTER																											
0 PLACE		X ±		2 PLACE		.XX ±																										
1 PLACE		.X ±		ANGLES		±																										
FINISH					MATERIAL																											
PRODUCT DRAWING																																
RVV65A-M-L																																
<table border="1" style="width: 100%; border-collapse: collapse;"> <thead> <tr> <th>REV.</th> <th>NAME</th> <th>DATE</th> <th>TITLE</th> </tr> </thead> <tbody> <tr> <td>CE</td> <td>L.Z</td> <td>24APR15</td> <td rowspan="5" style="text-align: center;">SCALE: 1:4 DOCUMENT NO. RVV65A-M-L</td> </tr> <tr> <td>RW</td> <td>LZ1032</td> <td>06/02/2015</td> </tr> <tr> <td>RV</td> <td>ML1035</td> <td>06/02/2015</td> </tr> <tr> <td>AD</td> <td>LT1008</td> <td>06/02/2015</td> </tr> <tr> <td>RE</td> <td>LONEWSOM</td> <td>06/04/2015</td> </tr> </tbody> </table>										REV.	NAME	DATE	TITLE	CE	L.Z	24APR15	SCALE: 1:4 DOCUMENT NO. RVV65A-M-L	RW	LZ1032	06/02/2015	RV	ML1035	06/02/2015	AD	LT1008	06/02/2015	RE	LONEWSOM	06/04/2015			
REV.	NAME	DATE	TITLE																													
CE	L.Z	24APR15	SCALE: 1:4 DOCUMENT NO. RVV65A-M-L																													
RW	LZ1032	06/02/2015																														
RV	ML1035	06/02/2015																														
AD	LT1008	06/02/2015																														
RE	LONEWSOM	06/04/2015																														
<table border="1" style="width: 100%; border-collapse: collapse;"> <thead> <tr> <th>SIZE</th> <th>WORK AREA</th> <th>23</th> <th>MODEL</th> <th colspan="3">DRAWING</th> <th>SHEET</th> </tr> </thead> <tbody> <tr> <td rowspan="2" style="font-size: 2em;">A2</td> <td rowspan="2" style="text-align: center;"> </td> <td rowspan="2" style="text-align: center;"> </td> <td>VERSION</td> <td>STATUS</td> <td>REVISION</td> <td>VERSION</td> <td>STATUS</td> <td>REVISION</td> </tr> <tr> <td>00</td> <td>RE</td> <td>A</td> <td>00</td> <td>RE</td> <td>A</td> </tr> </tbody> </table>										SIZE	WORK AREA	23	MODEL	DRAWING			SHEET	A2			VERSION	STATUS	REVISION	VERSION	STATUS	REVISION	00	RE	A	00	RE	A
SIZE	WORK AREA	23	MODEL	DRAWING			SHEET																									
A2			VERSION	STATUS	REVISION	VERSION	STATUS	REVISION																								
			00	RE	A	00	RE	A																								

DENSITY	g/mm ³
MASS	grams
VOLUME	mm ³
SURFACE AREA	mm ²
HEIGHT	
LENGTH	
WIDTH	

© 2015 CommScope, Inc.

NOTES:



RVV65A-3X2

COMMSCOPE, INC. OF NORTH CAROLINA				
TITLE PRODUCT DRAWING				
SIZE A2	SCALE 1:4	DOCUMENT NO. RVV65A-M-L		
DRAWING				SHEET
VERSION 00	STATUS RE	REVISION A	2 OF 2	