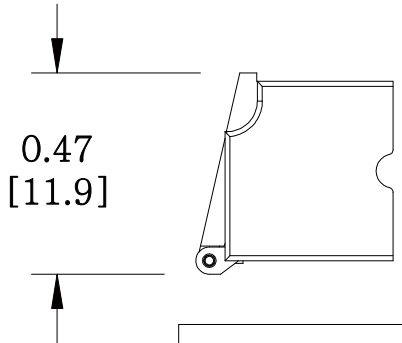
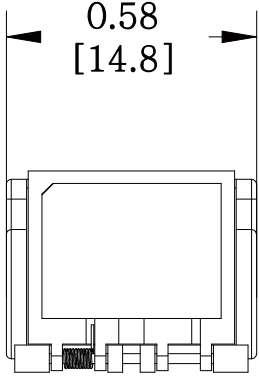
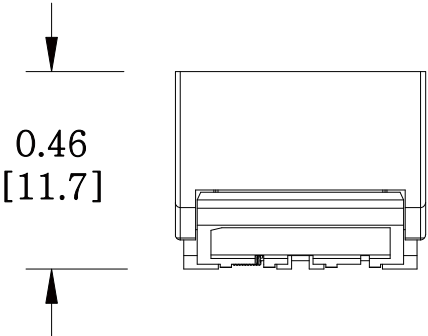


MATERIAL ID	DESCRIPTION
760159814	TRANSLUCENT SHUTTER, LOW PROFILE DUPLEX LC



- NOTES:
1. SEE SYSTIMAX CATALOG FOR PART NUMBER SUFFIXES TO INDICATE COLOR/PKG.
 2. SEE SYSTIMAX CATALOG FOR COMPLETE LIST OF PARTS RELATED TO THE USE OF THIS PRODUCT.
 3. DIMENSIONS IN PARENTHESES ARE IN METRIC.
 4. PART INCLUDES:
(1) SHUTTER, LC DUPLEX, CLEAR, 25 PACK

LC02-LP-SHUTTER-CL-25-PACK	
COMMScope, INC OF NORTH CAROLINA	
SYSTIMAX [®] SOLUTIONS	
DRAWN BY TZ	DWG NO 760159814

REV	DATE	ECR	DESCRIPTION	APPROVED BY
1	8/6/12		INITIAL ISSUE	