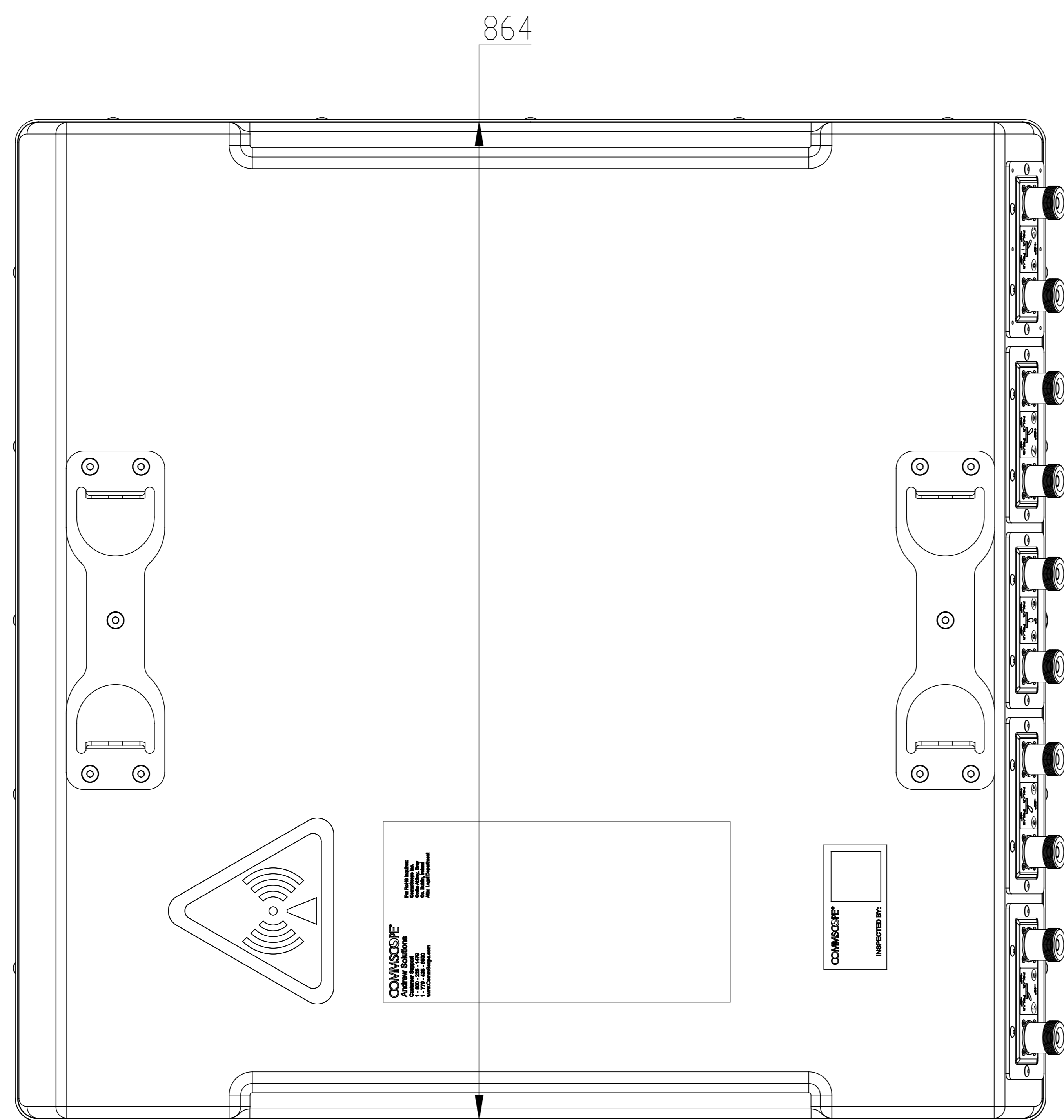
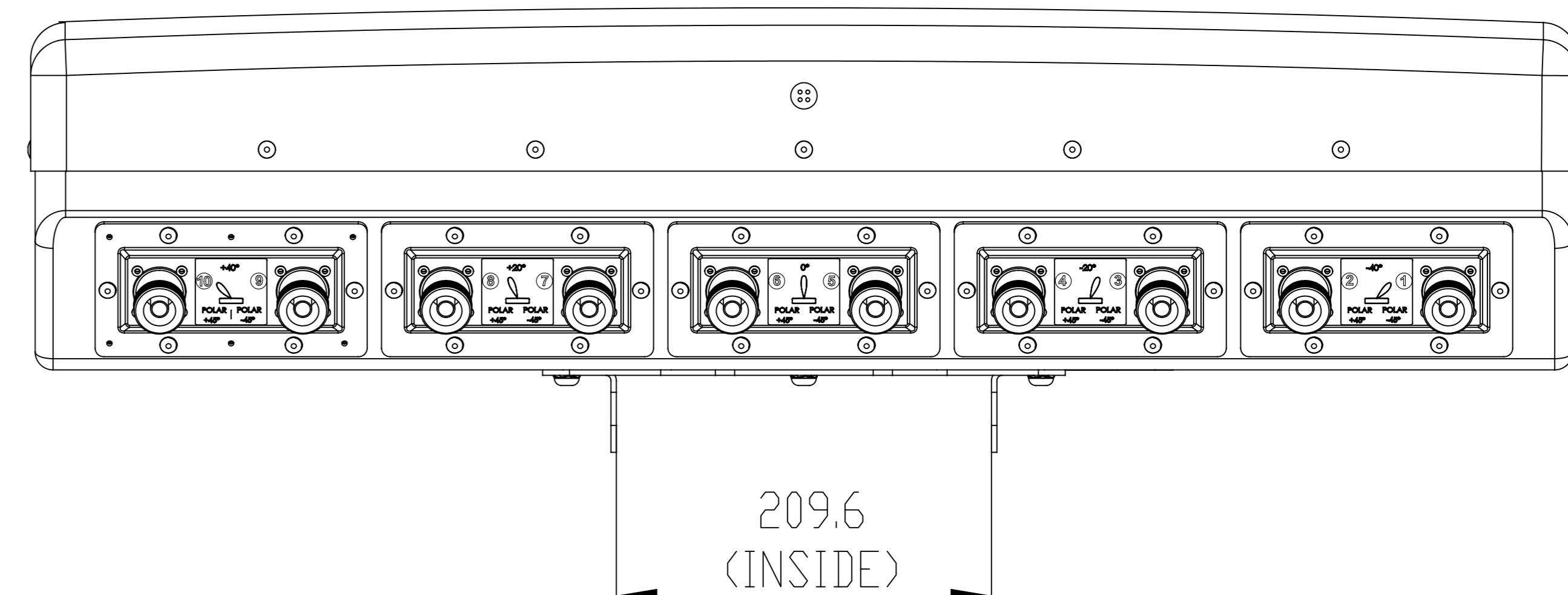
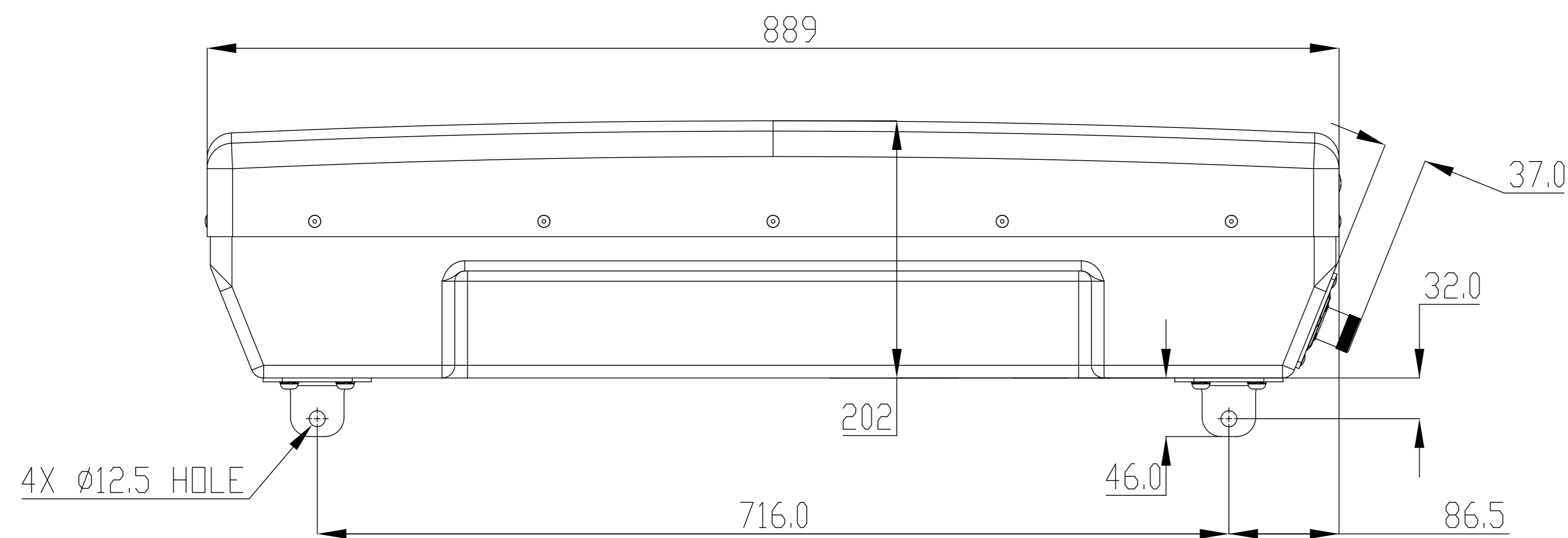


NOTES:

REVISIONS					
ZONE	REV.	ECR	DESCRIPTION	DRAWN BY	DATE
-	A	8000005961	INITIAL RELEASE.	ZW	12/03/2014
	B	8000019941	CHG SOME DIMS; UPDATE DRAWING SHEET.	HWW	02/14/2017
	C	8000028342	ADD PORT NUMBERS TO MATCH ANT. LABELING.	RDD	02/11/2018



5NPX1006F

DENSITY	g/mm ³
MASS	grams
VOLUME	mm ³
SURFACE AREA	mm ²
HEIGHT	
LENGTH	
WIDTH	

© 2017 CommScope, Inc.

COMMSCOPE, INC. OF NORTH CAROLINA

TOLERANCES		SAP MATERIAL MASTER										
0 PLACE	X ±	2 PLACE	XX ±									
1 PLACE	.X ±	ANGLES	±									
FINISH		MATERIAL										
<small>UNLESS OTHERWISE SPECIFIED DIMENSIONS ARE IN MILLIMETERS INTERPRET PER ISO STANDARDS UNLESS TECHNICAL DRAWING VOLUMES 1 & 2 THIRD EDITION (2002)</small>		NAME	DATE									
		CE ZW	12/03/2014									
		RW DR1050	02/12/2018									
		RV AP1018	02/12/2018									
		AD ZH1011	02/12/2018									
RE	BYUAN	02/12/2018										
ECN	8000028342-0											
SCALE	DOCUMENT NO.	PRODUCT DRAWING										
1:1	5NPX1006F-L											
SIZE	WORK AREA	23	MODEL									
A2			<table border="1"> <tr> <th colspan="3">DRAWING</th> </tr> <tr> <th>VERSION</th> <th>STATUS</th> <th>REVISION</th> </tr> <tr> <td></td> <td></td> <td></td> </tr> </table>	DRAWING			VERSION	STATUS	REVISION			
DRAWING												
VERSION	STATUS	REVISION										
SHEET		1 OF 1										