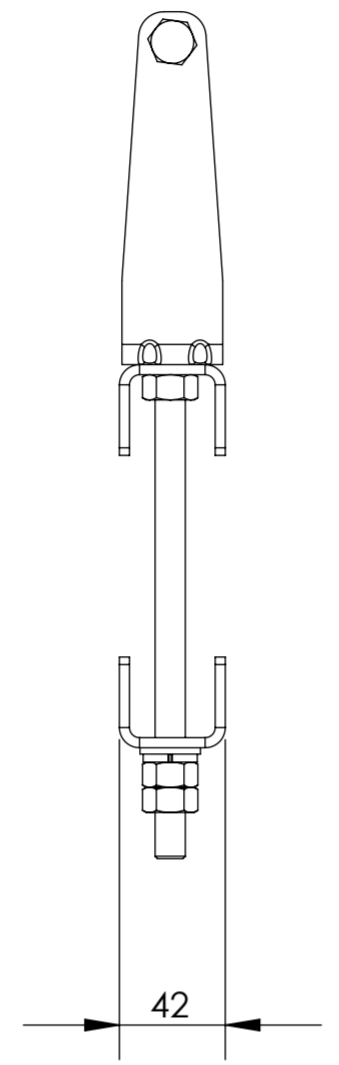
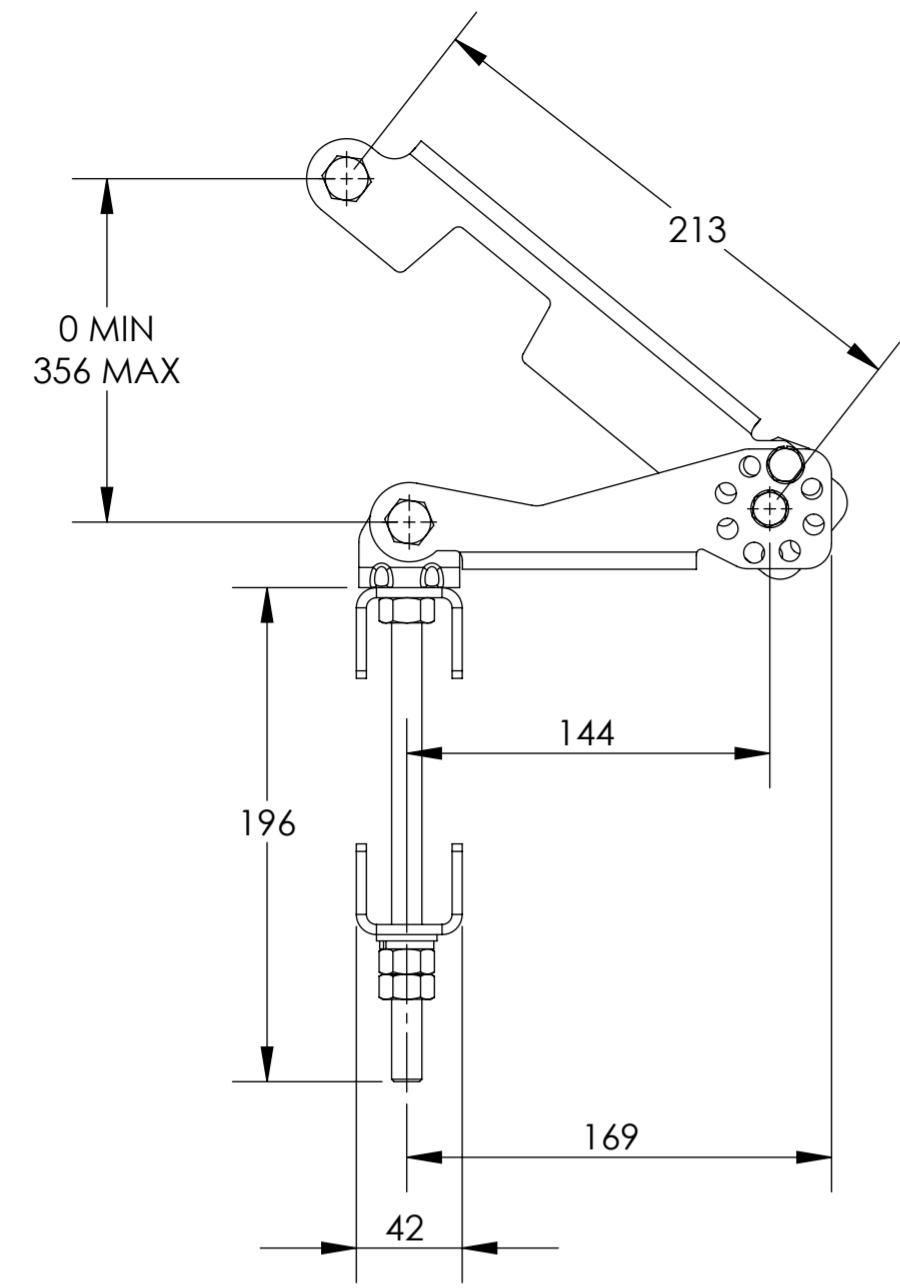


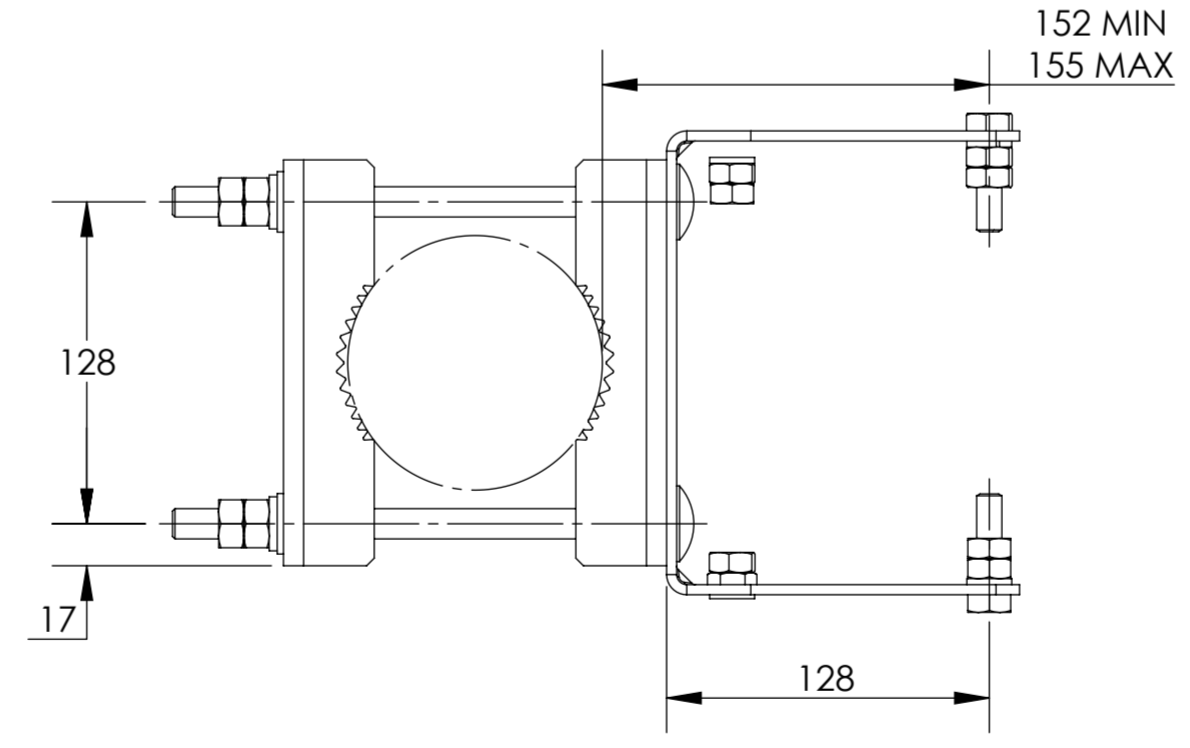
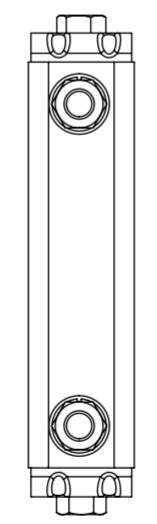
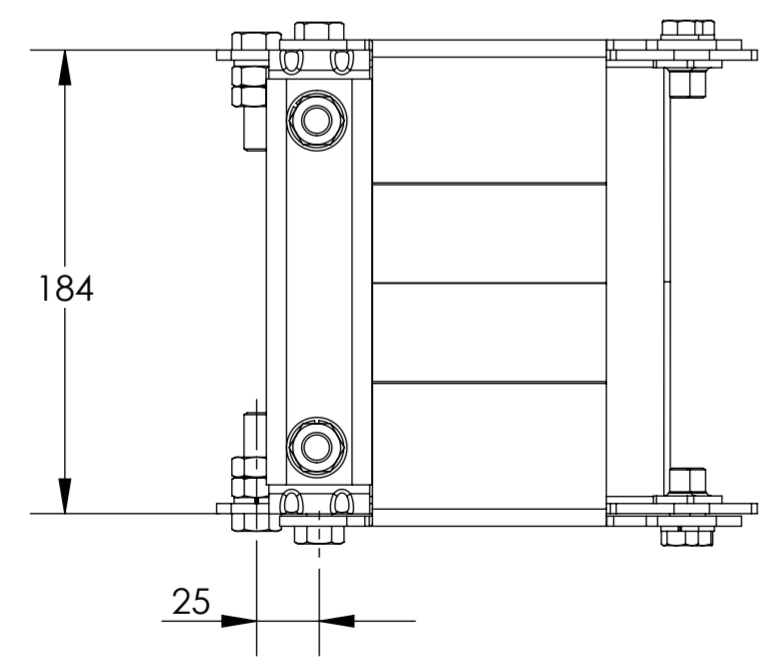
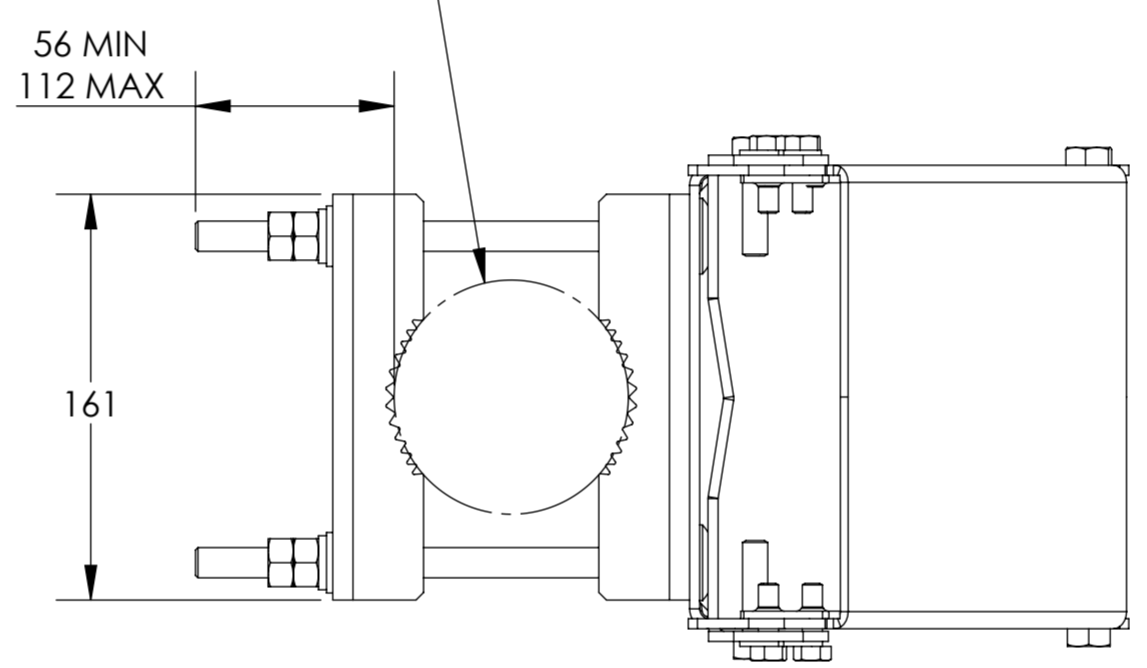
1 2 3 4 5 6 7 8 9 10 11 12

A
B
C
D
E
F
G
H

REVISIONS			
REV.	DESCRIPTION	DATE	APPROVED
A	ECR 8000006609: REL TO PRODUCTION	20JAN15 JH	GD / EB
B	ECR 8000010306: ADD DIMENSIONS.	15OCT15 QF	S.LIU/JIHE
C	ECR 8000010893: DEL 624047-12; CHG 624046-12 QTY TO 4 EA; CHG 100526-45 QTY TO 12 EA; ADD 1 EA 653905-3.	13NOV15 CZH	S.LIU/JIHE



POLE DIAMETER: 60 - 115 mm



BSAMNT-U

COMMSCOPE, INC. OF NORTH CAROLINA

DENSITY:	MASS: 3.51 kg	VOLUME:	SURFACE AREA:	TOLERANCES		SAP MATERIAL MASTER
				0 PLACE X ±	1 PLACE .X ±	2 PLACE .XX ±
				ANGLES ±		
FINISH				MATERIAL		
UNLESS OTHERWISE SPECIFIED DIMENSIONS ARE IN MILLIMETERS INTERPRET PER ISO STANDARDS HANDBOOK TECHNICAL DRAWINGS VOLUMES 1 & 2, THIRD EDITION (2002)	NAME	DATE	TITLE			
	CE JH	22JAN15	WIDE PROFILE UPTILT KIT			
	RW ZHHCHEN	11/13/2015				
	RV CHALIU	11/18/2015				
	AD JS1030	11/30/2015				
	RE BYUAN	11/30/2015				
ECN 8000010893-O	SIZE A2	SCALE 1:5	DOCUMENT NO. BSAMNT-U-L			

HEIGHT	ALL SURFACES	WORK AREA	23	MODEL			DRAWING			SHEET
LENGTH	✓	⊕	⊖	VERSION	STATUS	REVISION	VERSION	STATUS	REVISION	1 OF 1
WIDTH				02	RE	C	02	RE	C	

1 2 3 4 5 6 7 8 9 10 11 12