

8

7

6

5

4

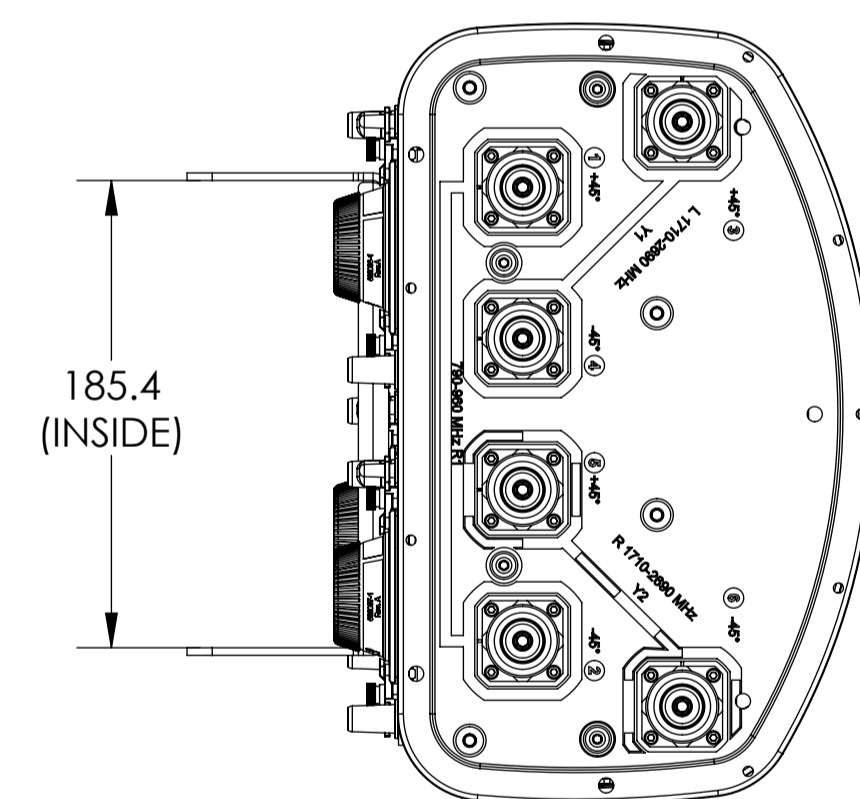
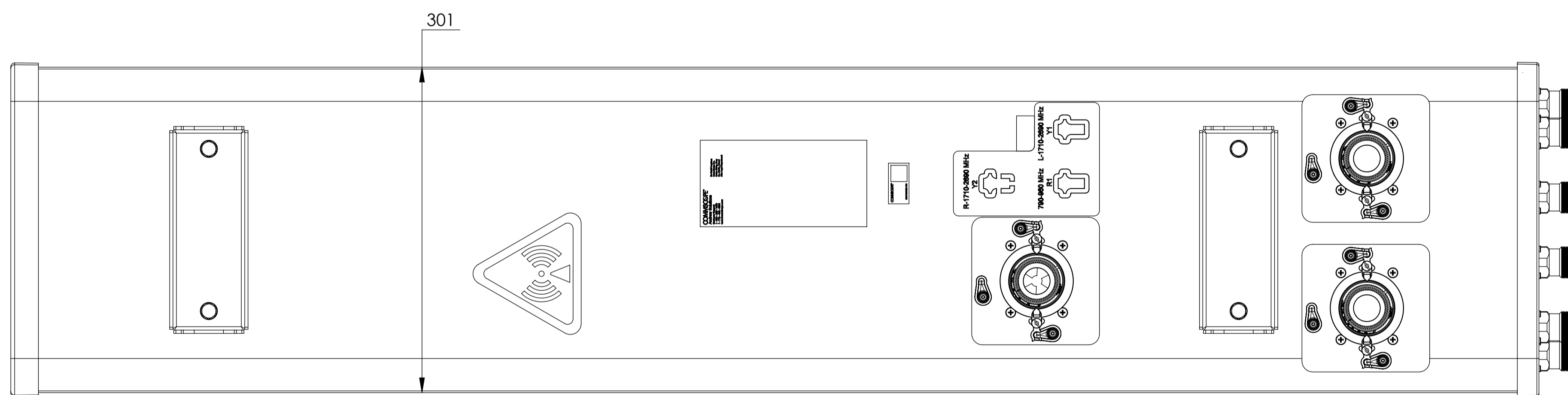
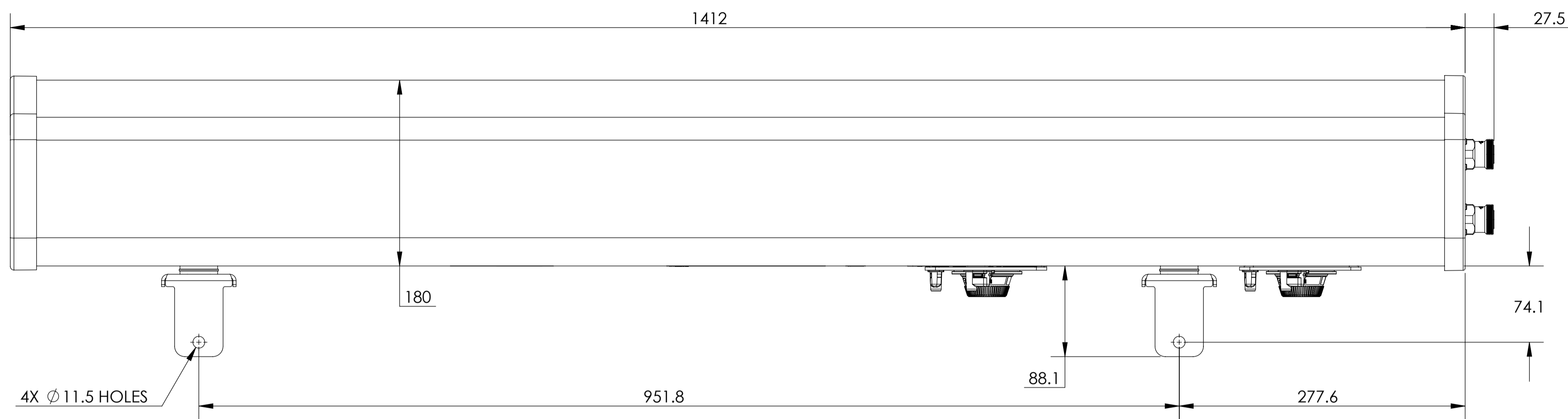
3

2

1

NOTES:

| REVISIONS |  |              |            |
|-----------|--|--------------|------------|
| REV       | DESCRIPTION  | DATE         | APPROVED   |
| A         | ECR 800004424: RELEASE TO PRODUCTION PER EAO 600405. | 12/10/14 J.H | GD/JING.S  |
| C         | ECR 800006714: UPDATE DRAWING WITH LATEST MODEL.     | 31JAN15 ZW   | S.LIU/JIHE |
| D         | ECR 800009773: ADD CVV65ASX-M.NM & CVV65ASX-3X2.NM.  | 12AUG15 RY   | S.LIU/JIHE |
| E         | ECR 8000012029: ADD DXF FILES.                       | 18JAN16 RY   | S.LIU/JIHE |
| F         | ECR 8000018642: UPDATE DRAWING WITH LATEST MODEL.    | 11JAN17 HWW  | S.LIU/JIHE |



CVV65ASX-M  
CVV65ASX-M.NM

THIRD ANGLE PROJECTION

THIRD ANGLE PROJECTION

|   |   |  |                                  |                              |
|---|---|--|----------------------------------|------------------------------|
| MATERIAL<br>N/A   | DENSITY:<br>MASS:   | UNLESS OTHERWISE SPECIFIED<br>DIMENSIONS ARE IN MILLIMETERS<br>INTERPRET PER ISO STANDARDS<br>HANDBOOK, TECHNICAL DRAWINGS,<br>VOLUMES 1 & 2, THIRD EDITION (2002) | WESTCHESTER, IL. 60154<br>U.S.A. |                              |
| FINISH<br>N/A   | TOLERANCES<br>0 PLACE X±<br>1 PLACE .X±<br>2 PLACE .XX±<br>ANGLES ±<br>ALL SURFACES ✓ | THIRD ANGLE PROJECTION<br>   | PRODUCT DRAWING                  |                              |
| DRAWN BY J.H<br>ECN 8000018642-O  |   | SIZE<br>A1   | CAGE CODE<br>84147               | DOCUMENT NO.<br>CVV65ASX-M-L |
| AUTH. GROUP 23  |   | MODEL  | DRAWING                          |                              |
| NOTICE: These drawings and specifications are the proprietary property of ANDREW CORPORATION and may be used only for the specific purpose authorized in writing by Andrew. |   | VERSION<br>05  | STATUS<br>RE                     | REVISION<br>F                |
|   |   | VERSION<br>05  | STATUS<br>RE                     | REVISION<br>F                |
|   |   |  |                                  | SHEET<br>1 OF 2              |

8

7

6

3

2

1

8

7

6

5

4

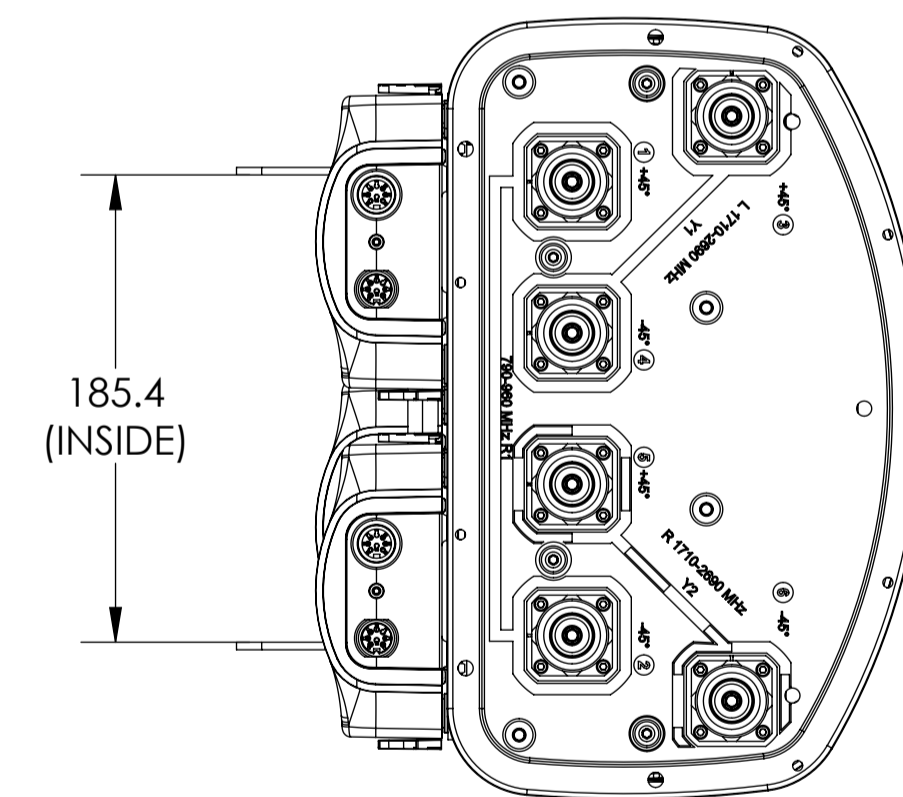
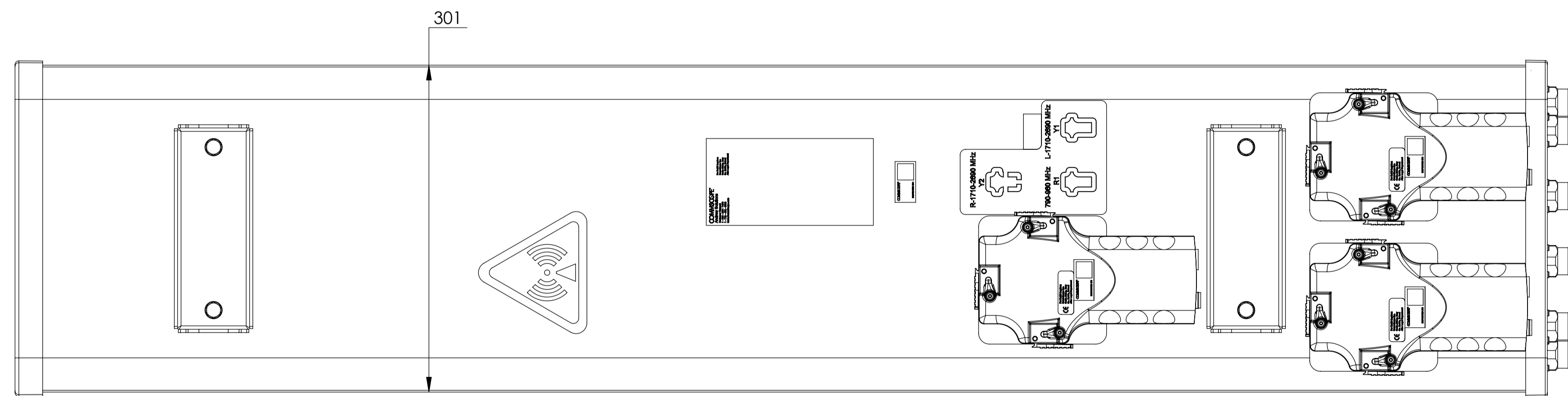
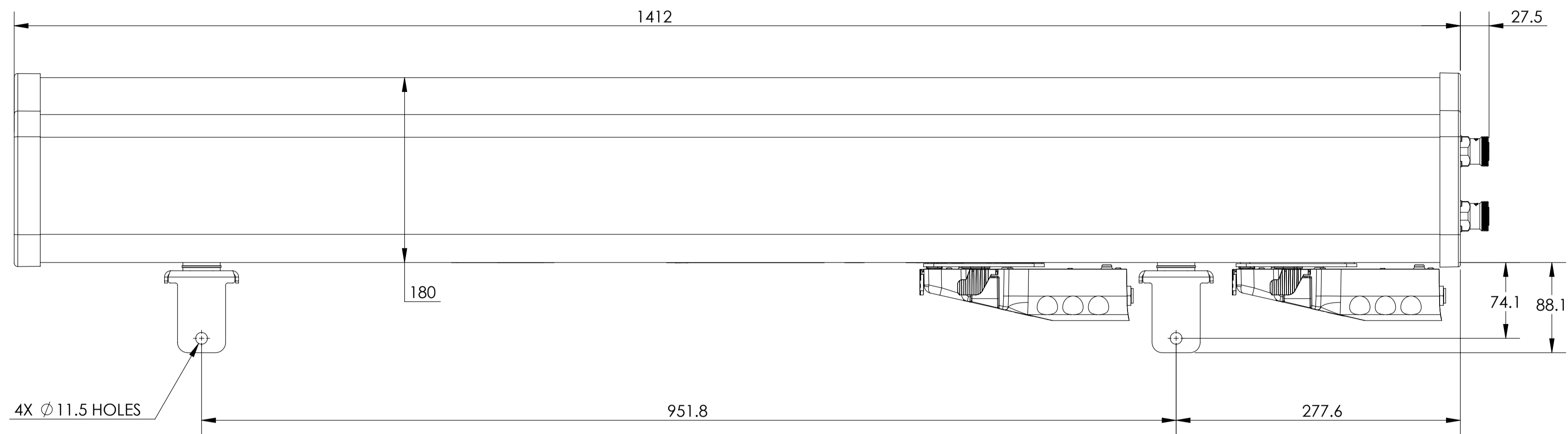
3

2

1

D

D



CVV65ASX-3X2  
CVV65ASX-3X2.NM

A

A

THIRD ANGLE PROJECTION

8

7

6

3

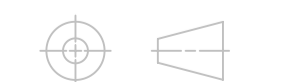
2

1

**ANDREW** WESTCHESTER, IL. 60154  
U.S.A.

PRODUCT DRAWING

THIRD ANGLE PROJECTION



SIZE **A1** CAGE CODE **84147**

DOCUMENT NO. **CVV65ASX-M-L**

NOTICE: These drawings and specifications are the proprietary property of ANDREW CORPORATION and may be used only for the specific purpose authorized in writing by Andrew.

| VERSION | STATUS | REVISION | SHEET  |
|---------|--------|----------|--------|
| 05      | RE     | F        | 2 OF 2 |