

4

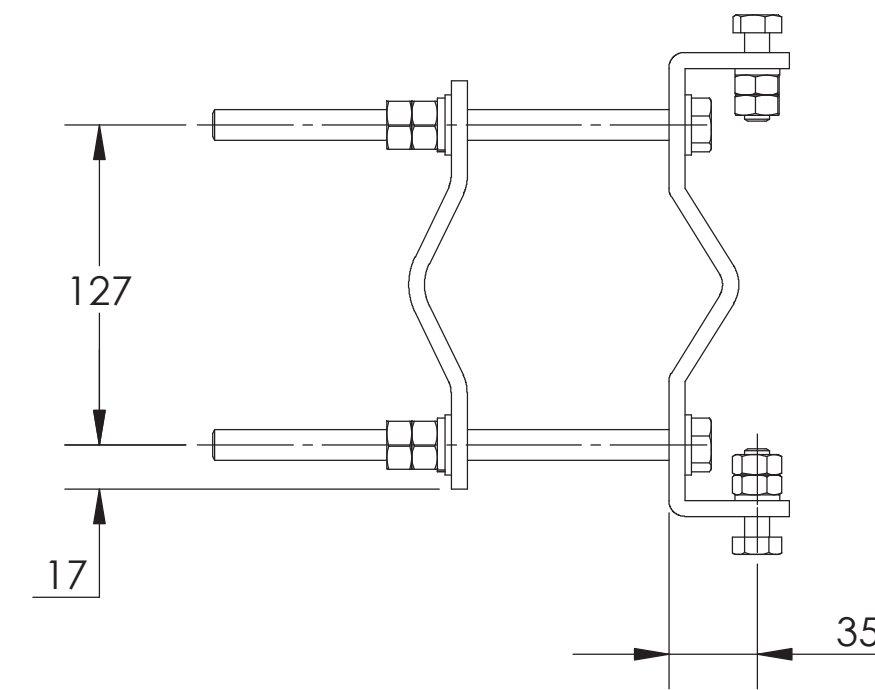
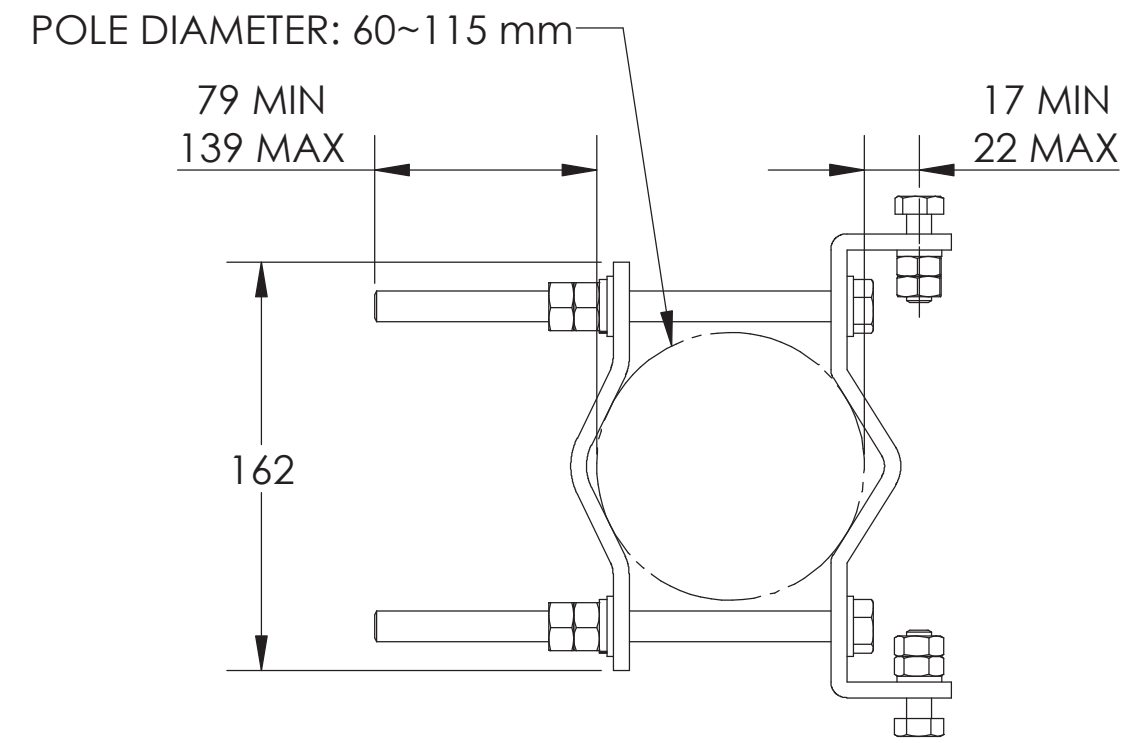
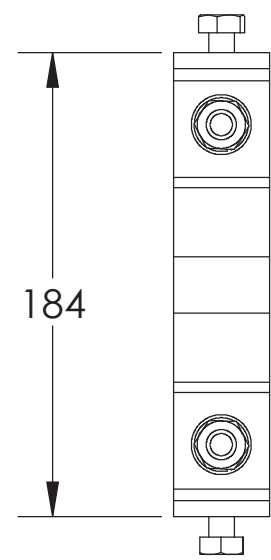
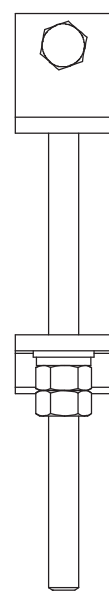
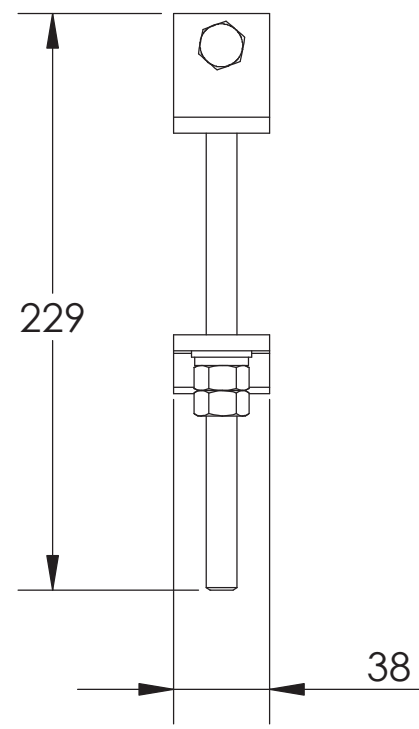
3

2


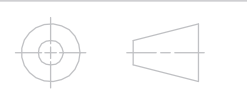
1

NOTES:

REVISIONS			
REV.	DESCRIPTION	DATE	APPROVED
A	ECR 8000002374: REL TO PRODUCTION PER EAO 601665	24JUL14 JJH	MB XA
B	ECR 8000010306: ADD DIMENSIONS.	20OCT15 QF	S.LIU/JIHE



DB380

MATERIAL N/A	DENSITY: N/A MASS: 2.90 Kg	UNLESS OTHERWISE SPECIFIED DIMENSIONS ARE IN MILLIMETERS INTERPRET PER ISO STANDARDS HANDBOOK TECHNICAL DRAWINGS VOLUMES 1 & 2, THIRD EDITION (2002)	 WESTCHESTER, IL. 60154 U.S.A.					
FINISH N/A	TOLERANCES	THIRD ANGLE PROJECTION	MOUNTING CLAMP KIT, 3.5" OD					
	0 PLACE X ± 1 PLACE .X ± 2 PLACE .XX ± ANGLES ±	 DRAWN BY JJH 25JUL14 ECN 8000010306-O	SIZE A2 84147	DOCUMENT NO. DB380-L				
ALL SURFACES ✓	AUTH. GROUP 23	MODEL	DRAWING					
NOTICE: These drawings and specifications are the proprietary property of ANDREW CORPORATION and may be used only for the specific purpose authorized in writing by Andrew.		VERSION 00	STATUS RE	REVISION B	VERSION 02	STATUS RE	REVISION B	SHEET 1 OF 1

4

3

2

1