

4

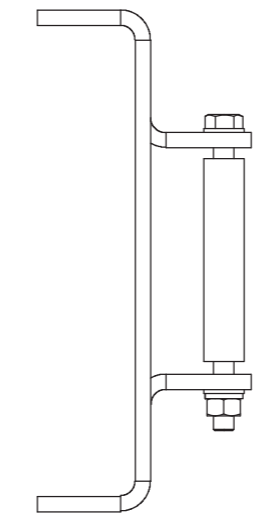
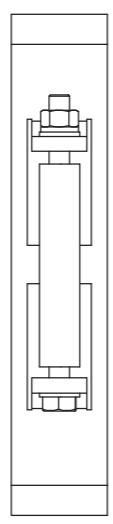
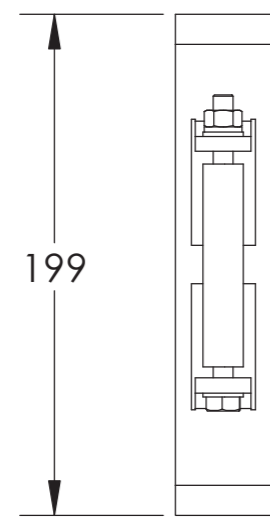
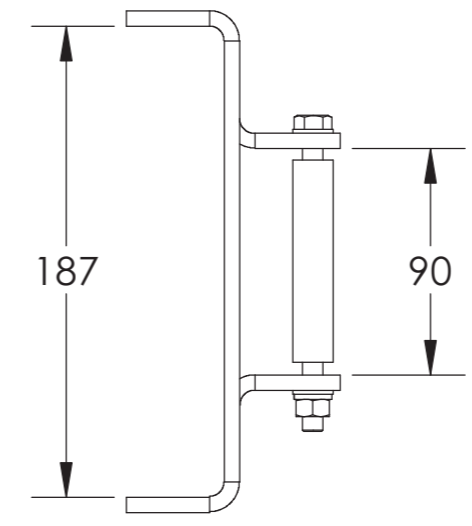
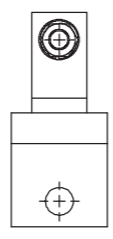
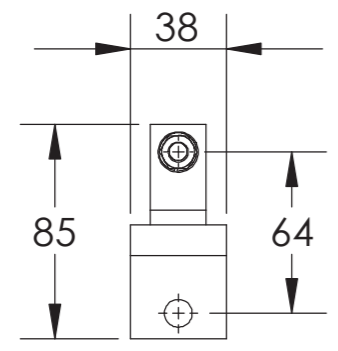
3

2



1

NOTES:

REVISIONS			
REV	DESCRIPTION	DATE	APPROVED
A	ECR 8000003574: REL TO PRODUCTION PER EAO 601665	13AUG14 JJH	MB XA
C	ECR 8000010306: ADD DIMENSIONS.	20OCT15 QF	S.LIU/JIHE



DB380-CTSGD

MATERIAL N/A	DENSITY: N/A	UNLESS OTHERWISE SPECIFIED DIMENSIONS ARE IN MILLIMETERS INTERPRET PER ISO STANDARDS HANDBOOK TECHNICAL DRAWINGS VOLUMES 1 & 2, THIRD EDITION (2002)	 WESTCHESTER, IL. 60154 U.S.A.		
	MASS: 1.230 Kg				ANTENNA MOUNTING BRACKET, ADAPTER
FINISH N/A	TOLERANCES		THIRD ANGLE PROJECTION		
	0 PLACE X ± 1 PLACE .X ± 2 PLACE .XX ± ANGLES ±			SIZE: A2 84147 CAGE CODE: 84147 DOCUMENT NO.: DB380-CTSDG-L	
ALL SURFACES ✓		AUTH. GROUP 23 DRAWN BY JJH 13AUG14 ECN 8000010306-O	MODEL VERSION 00 STATUS RE REVISION A	DRAWING VERSION 02 STATUS RE REVISION C	SHEET 1 OF 1
NOTICE: These drawings and specifications are the proprietary property of ANDREW CORPORATION and may be used only for the specific purpose authorized in writing by Andrew.					

4

3

2

1