

4

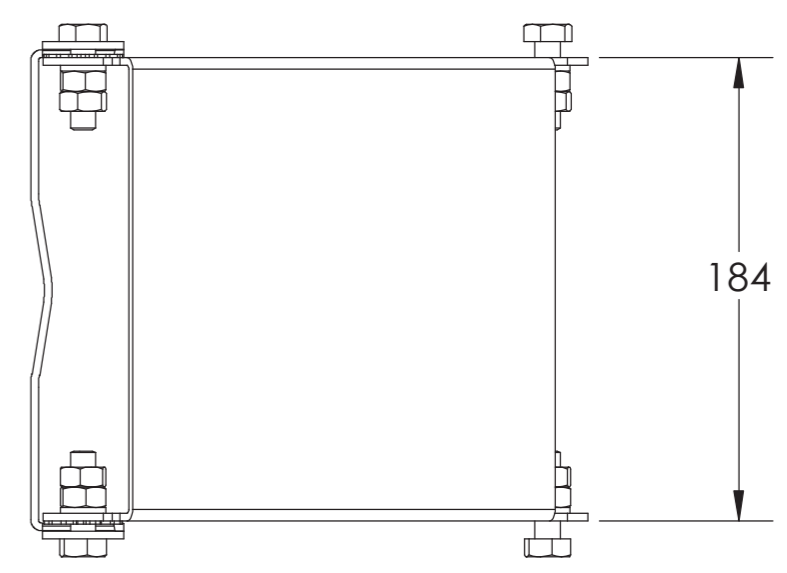
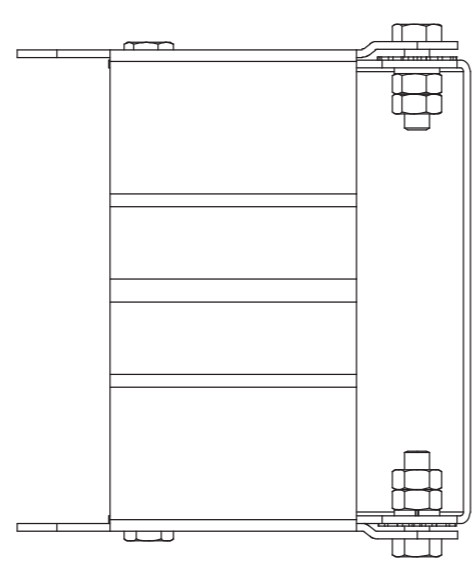
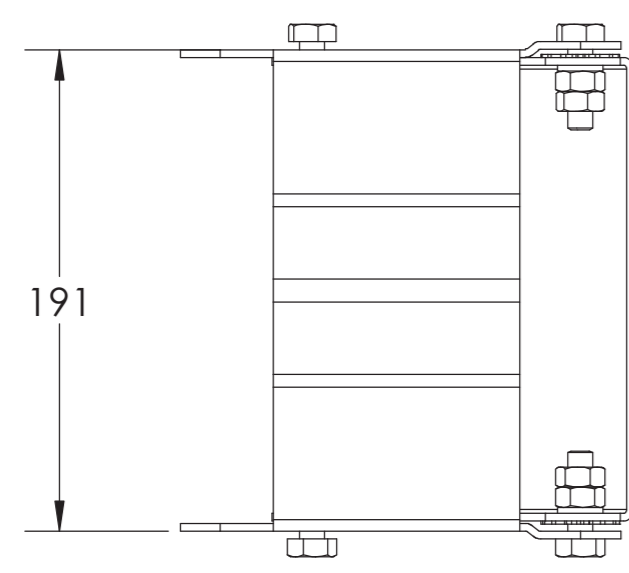
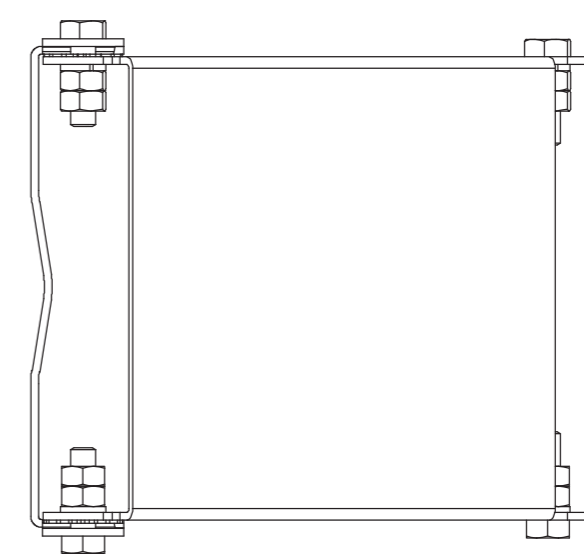
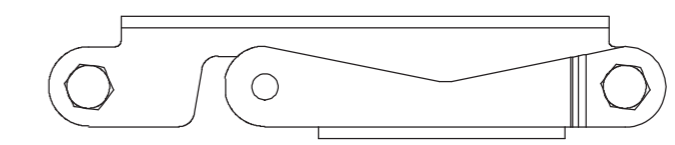
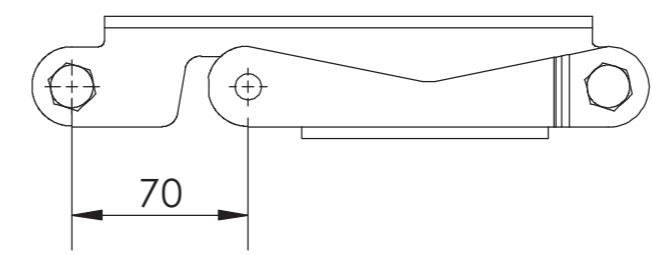
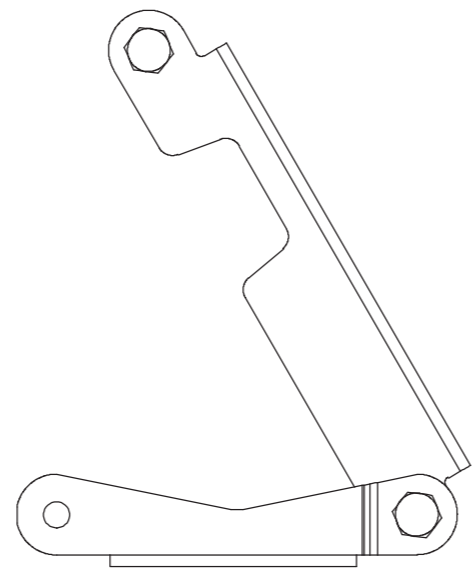
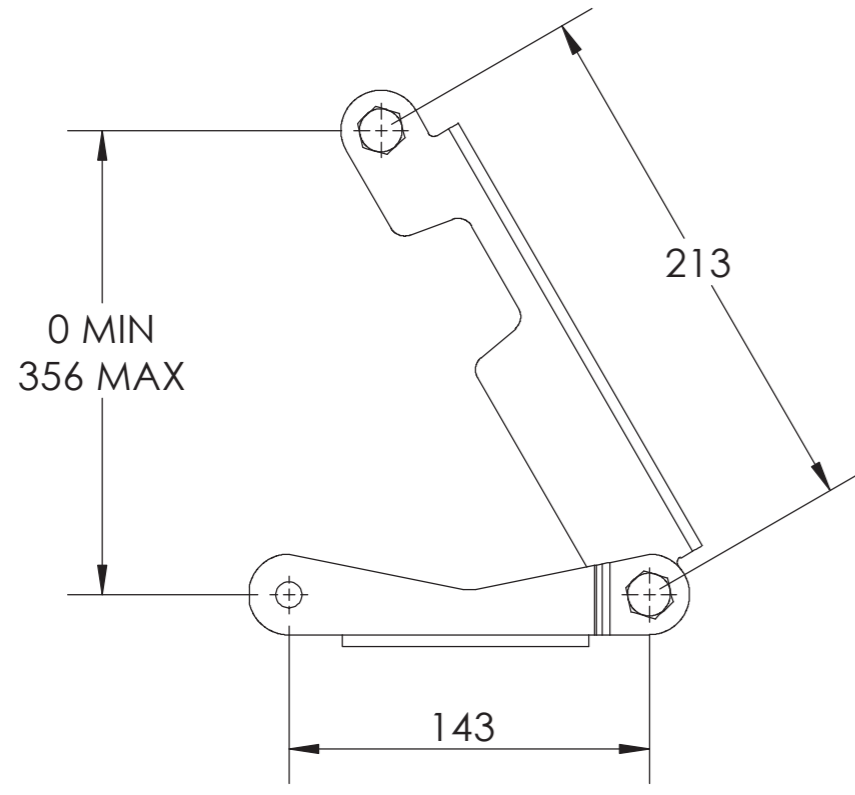
3

2

1

NOTES:

REVISIONS			
REV	DESCRIPTION	DATE	APPROVED
A	ECR 800003574: REL TO PRODUCTION PER EAO 601665	25JUL14 JJH	MB XA
B	ECR 8000010306: ADD DIMENSIONS.	20OCT15 RY	S.LIU/JIHE



DB5083D

MATERIAL N/A	DENSITY: N/A	UNLESS OTHERWISE SPECIFIED DIMENSIONS ARE IN MILLIMETERS INTERPRET PER ISO STANDARDS HANDBOOK TECHNICAL DRAWINGS VOLUMES 1 & 2, THIRD EDITION (2002)	WESTCHESTER, IL. 60154 U.S.A.						
	MASS: 4.50 kg								
FINISH N/A	TOLERANCES		THIRD ANGLE PROJECTION						
	0 PLACE X ±								
	1 PLACE .X ±								
	2 PLACE .XX ±								
ANGLES ±		DRAWN BY JJH 25JUL14	SIZE A2	CAGE CODE 84147	DOCUMENT NO. DB5083D-L				
ALL SURFACES ✓		ECN 8000010306-O	AUTH. GROUP 23	MODEL	DRAWING				
NOTICE: These drawings and specifications are the proprietary property of ANDREW CORPORATION and may be used only for the specific purpose authorized in writing by Andrew.			VERSION 03	STATUS RE	REVISION D	VERSION 01	STATUS RE	REVISION B	SHEET 1 OF 1

4

3

2

1