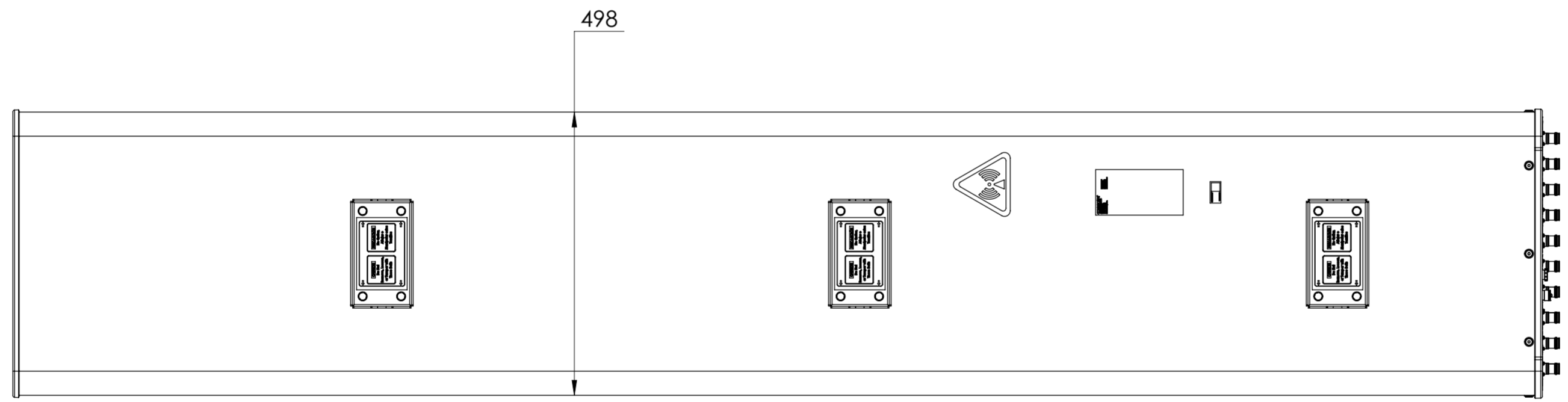
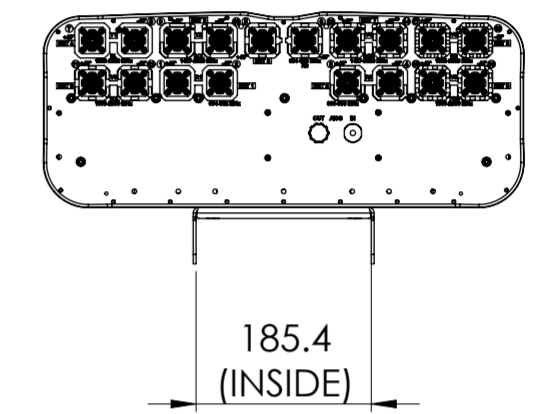
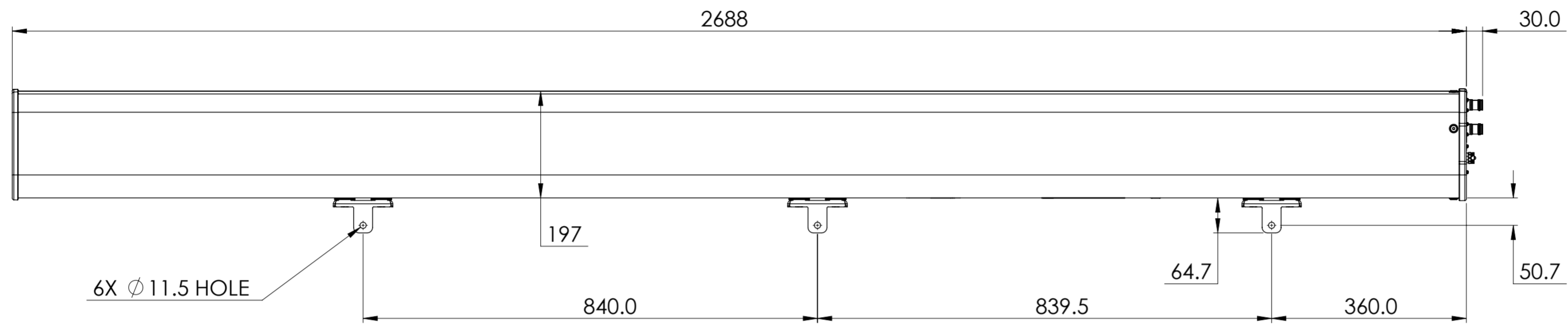


NOTES:

REVISIONS			
REV.	DESCRIPTION	DATE	APPROVED
A	ECR 8000035716: REL TO PRODUCTION PER EAO 606906.	04JUL19 HWW	KEL/REX



EGRZZV4-65D-R8

COMMSCOPE, INC. OF NORTH CAROLINA

TOLERANCES		SAP MATERIAL MASTER	
0 PLACE X ±	2 PLACE .XX ±		
1 PLACE .X ±	ANGLES ±		
FINISH		MATERIAL	
<small>UNLESS OTHERWISE SPECIFIED DIMENSIONS ARE IN MILLIMETERS INTERPRET PER ISO STANDARDS HANDBOOK TECHNICAL DRAWINGS VOLUMES 1 & 2, THIRD EDITION (2002)</small>		NAME	DATE
		CE WH1029	07/04/2019
		RW WH1029	07/29/2019
		RV WW1027	07/31/2019
		AD WY8000	07/31/2019
RE ZHHCHEN	07/31/2019	TITLE	
ECN 8000035716-O		PRODUCT DRAWING	
SCALE		DOCUMENT NO.	
1:8		EGRZZV4-65D-R8-L	
SIZE	WORK AREA	MODEL	
A2	23	DRAWING	
VERSION		STATUS	REVISION
00		RE	A
HEIGHT		DRAWING	
LENGTH		VERSION	STATUS
WIDTH		00	RE
		REVISION	A
			SHEET
			1 OF 1