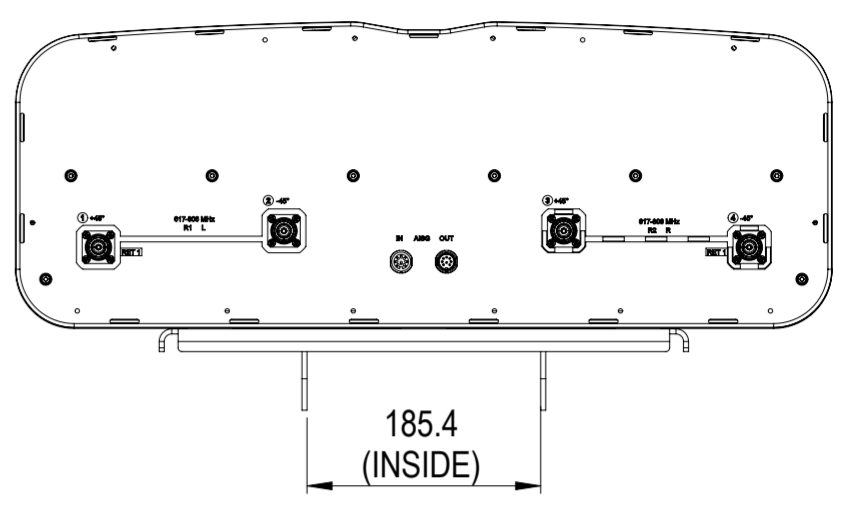
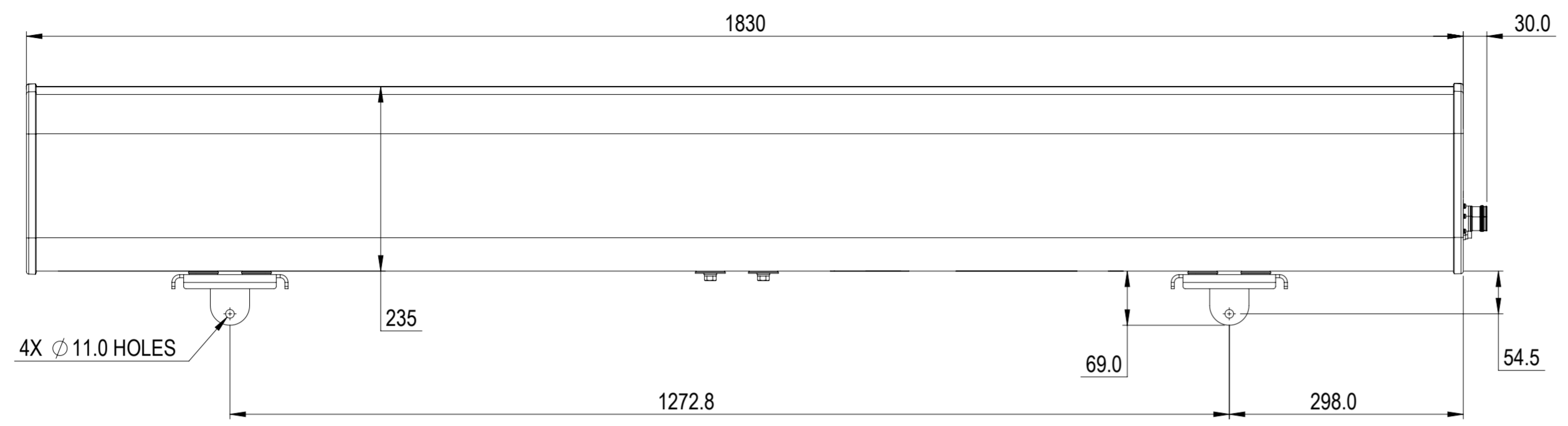


REVISIONS			
REV.	DESCRIPTION	DATE	APPROVED
A	ECR 8000024994: RELEASE TO PRODUCTION PER EAO 604241.	11/27/2017 SXH	DYANG/J.LIU



FF-65B-R1

COMMSCOPE, INC. OF NORTH CAROLINA														
TOLERANCES						SAP MATERIAL MASTER								
0 PLACE X ±		2 PLACE .XX ±												
1 PLACE .X ±		ANGLES ±												
FINISH						MATERIAL								
PRODUCT DRAWING														
SCALE: 1:6 DOCUMENT NO. FF-65B-R1-L														
ECN 8000024994-O														
SIZE: A2			WORK AREA: 23			MODEL: RE			DRAWING: A			SHEET: 1 OF 1		

DENSITY	g/mm ³
MASS	grams
VOLUME	mm ³
SURFACE AREA	mm ²