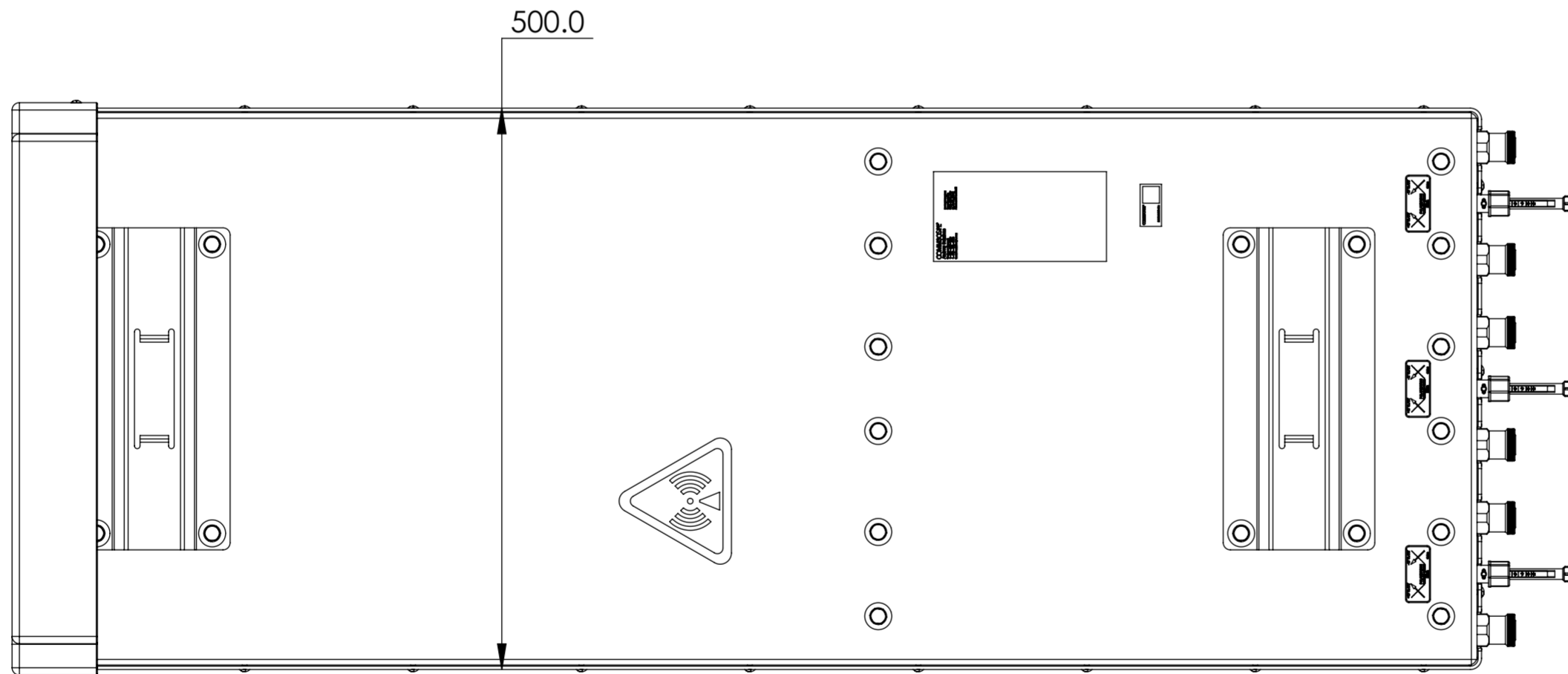
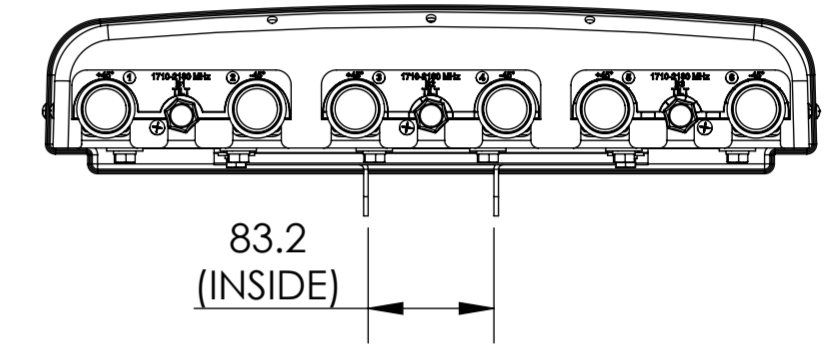
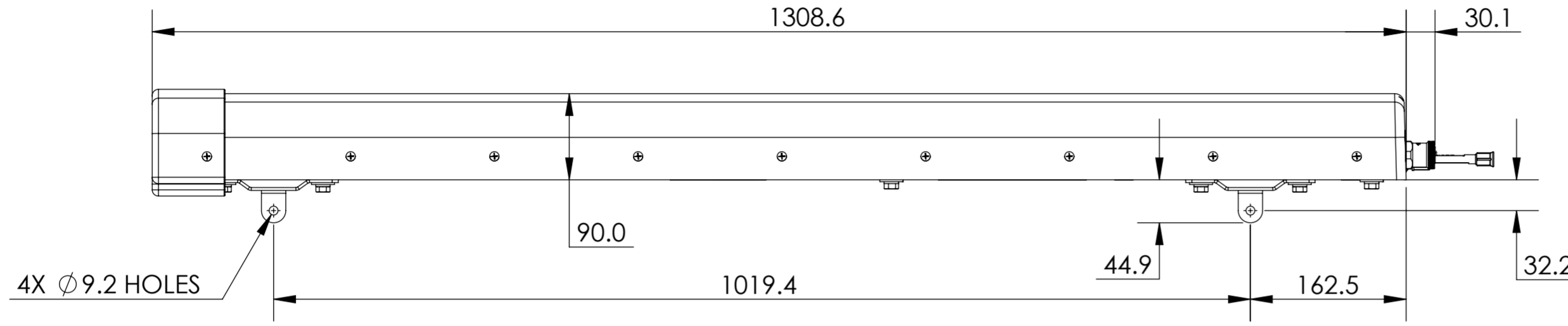


NOTES:

REVISIONS				
REV	DESCRIPTION	DATE	APPROVED	
A	ECR 5077592: REL TO PRODUCTION. EE: GUXU ME: HANSEN	05AUG08 LYJ	HANSEN/GUXU	
F	ECR 7005341: ADD HBXXX-6516DS-A1M ON SHEET 5.	02NOV12 K.W	S.LIU/GUXU	
G	ECR 8000001401: UPDATE DRAWING.	9/17/13 J.H	EB/GD	
H	ECR 8000005559: ADD DXF FILE.	27OCT14 HWW	S.LIU/JIHE	
J	ECR 8000012048: ADD OVERALL LENGTH FROM SHEET 2 TO SHEET 5.	22JAN16 ZW	S.LIU/JIHE	



HBXXX-6516DS-VTM

MATERIAL N/A	DENSITY:	UNLESS OTHERWISE SPECIFIED DIMENSIONS ARE IN MILLIMETERS INTERPRET PER ISO STANDARDS HANDBOOK TECHNICAL DRAWINGS VOLUMES 1 & 2, THIRD EDITION (2002)	WESTCHESTER, IL. 60154 U.S.A.		
	MASS:				
FINISH N/A	TOLERANCES		THIRD ANGLE PROJECTION		
	0 PLACE X ± 1 PLACE .X ± 2 PLACE .XX ± ANGLES ±				
	ALL SURFACES ✓		DRAWN BY LYJ 05AUG08 ECN 8000012048-O	SIZE A2 CAGE CODE 84147	DOCUMENT NO. HBXXX-6516DS-VTM-L
NOTICE: These drawings and specifications are the proprietary property of ANDREW CORPORATION and may be used only for the specific purpose authorized in writing by Andrew.			AUTH. GROUP 23	MODEL DRAWING	
			VERSION 03 STATUS RE REVISION D	VERSION 08 STATUS RE REVISION J	SHEET 1 OF 5

THIRD ANGLE PROJECTION

THIRD ANGLE PROJECTION

THIRD ANGLE PROJECTION

THIRD ANGLE PROJECTION

THIRD ANGLE PROJECTION

4

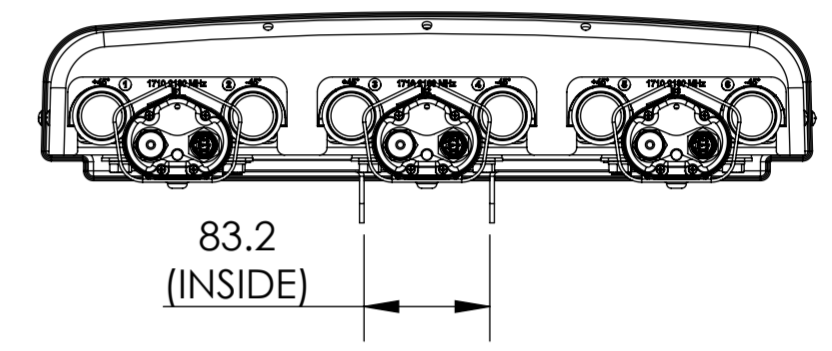
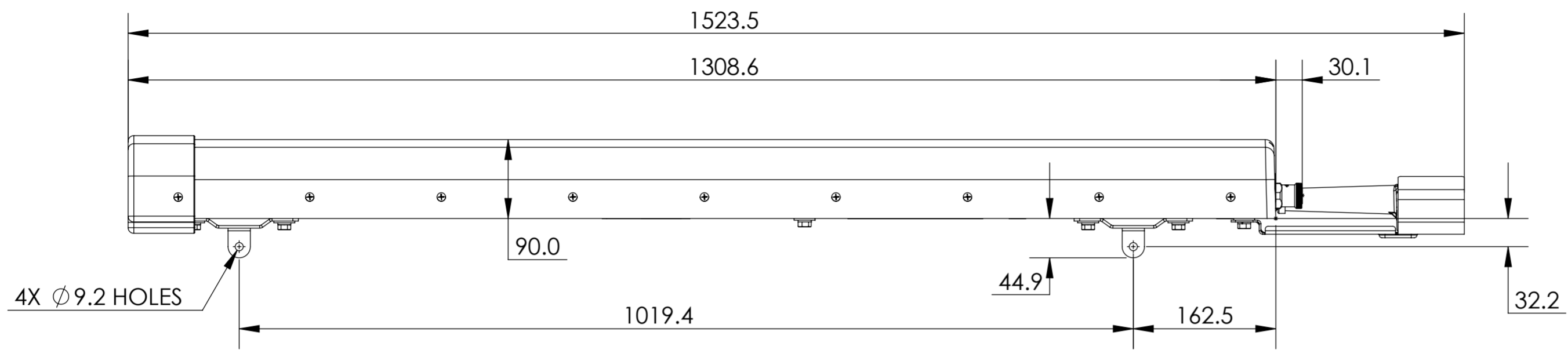
3

2

1

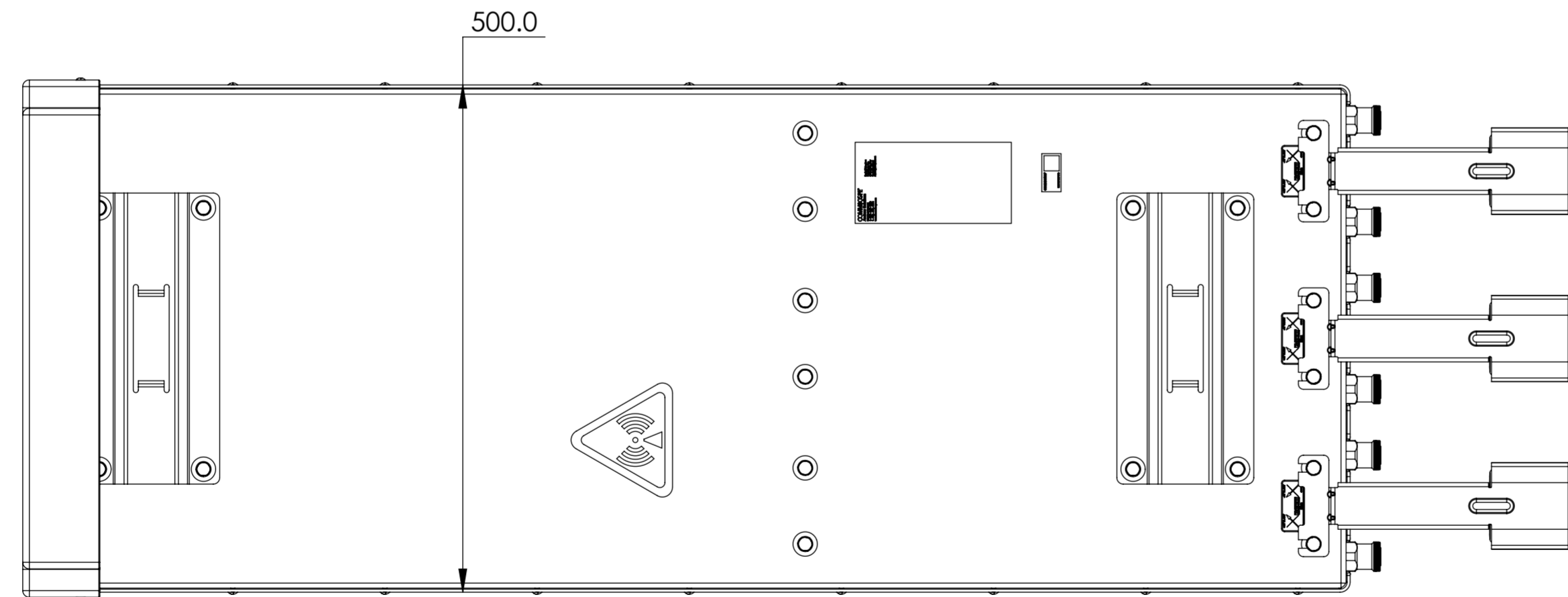
D

D



C

C



HBXXX-6516DS-R2M
 HBXXX-6516DS-A3M

B

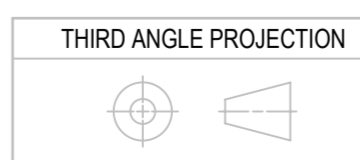
B

A

A

ANDREW WESTCHESTER, IL. 60154
 U.S.A.

PRODUCT DRAWING



SIZE	CAGE CODE	DOCUMENT NO.
A2	84147	HBXXX-6516DS-VTM-L

VERSION	STATUS	REVISION	SHEET
08	RE	J	2 OF 5

NOTICE: These drawings and specifications are the proprietary property of ANDREW CORPORATION and may be used only for the specific purpose authorized in writing by Andrew.

4

3

2

1

THIRD ANGLE PROJECTION

4

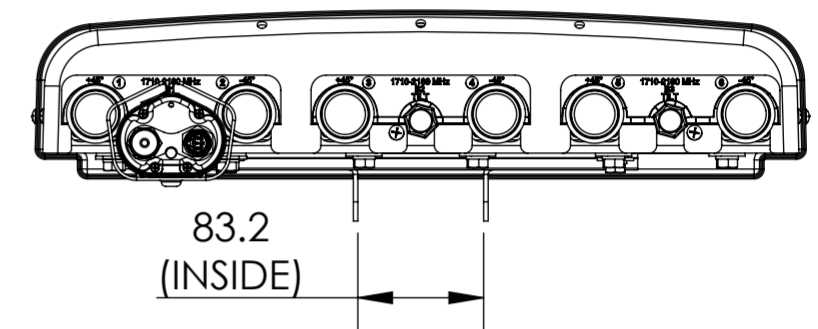
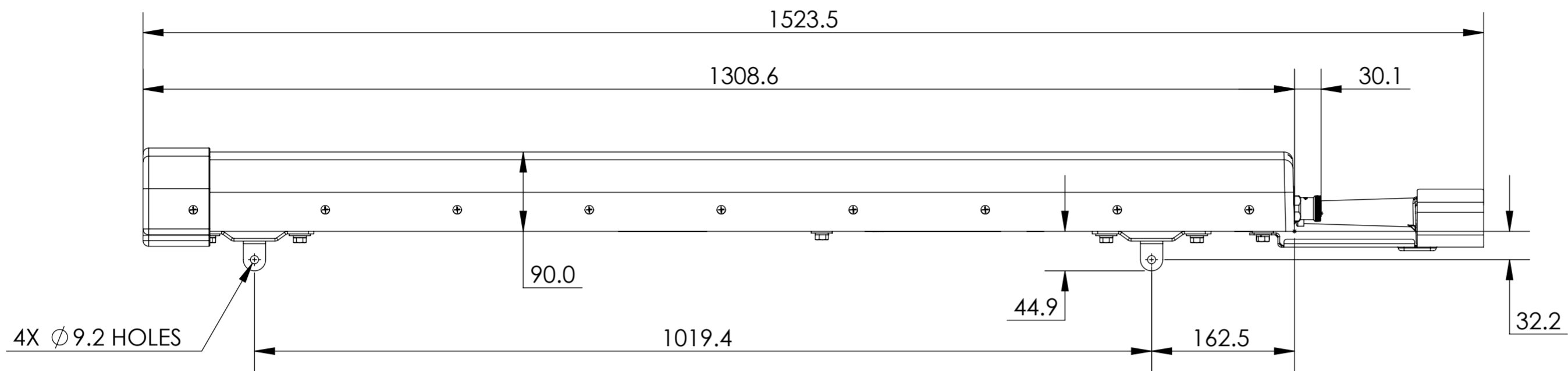
3

2

1

D

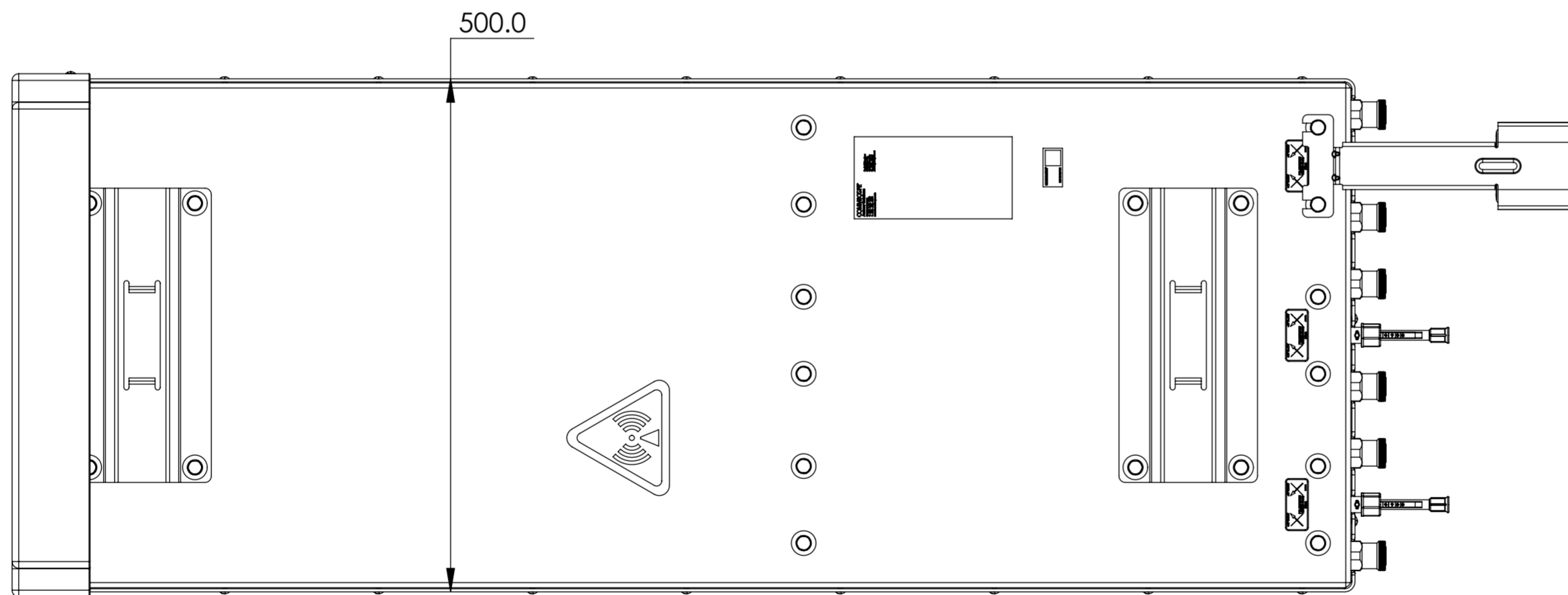
D



C

C

THIRD ANGLE PROJECTION



HBXXX-6516DS-E1M

A

A

ANDREW® WESTCHESTER, IL. 60154
U.S.A.

PRODUCT DRAWING

THIRD ANGLE PROJECTION		SIZE	CAGE CODE	DOCUMENT NO.	VERSION	STATUS	REVISION	SHEET
		A2	84147	HBXXX-6516DS-VTM-L	08	RE	J	3 OF 5

NOTICE: These drawings and specifications are the proprietary property of ANDREW CORPORATION and may be used only for the specific purpose authorized in writing by Andrew.

4

3

2

1

THIRD ANGLE PROJECTION

4

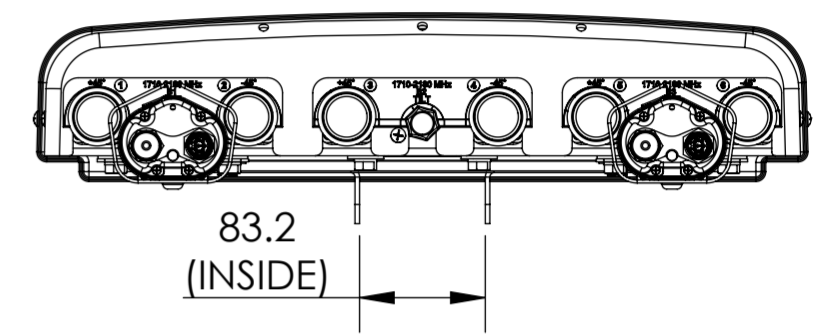
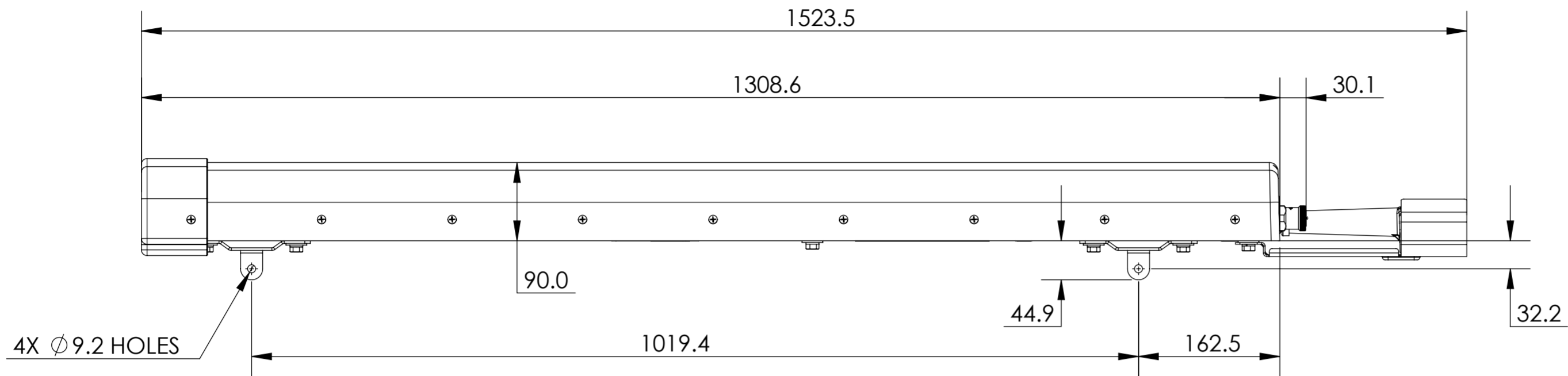
3

2

1

D

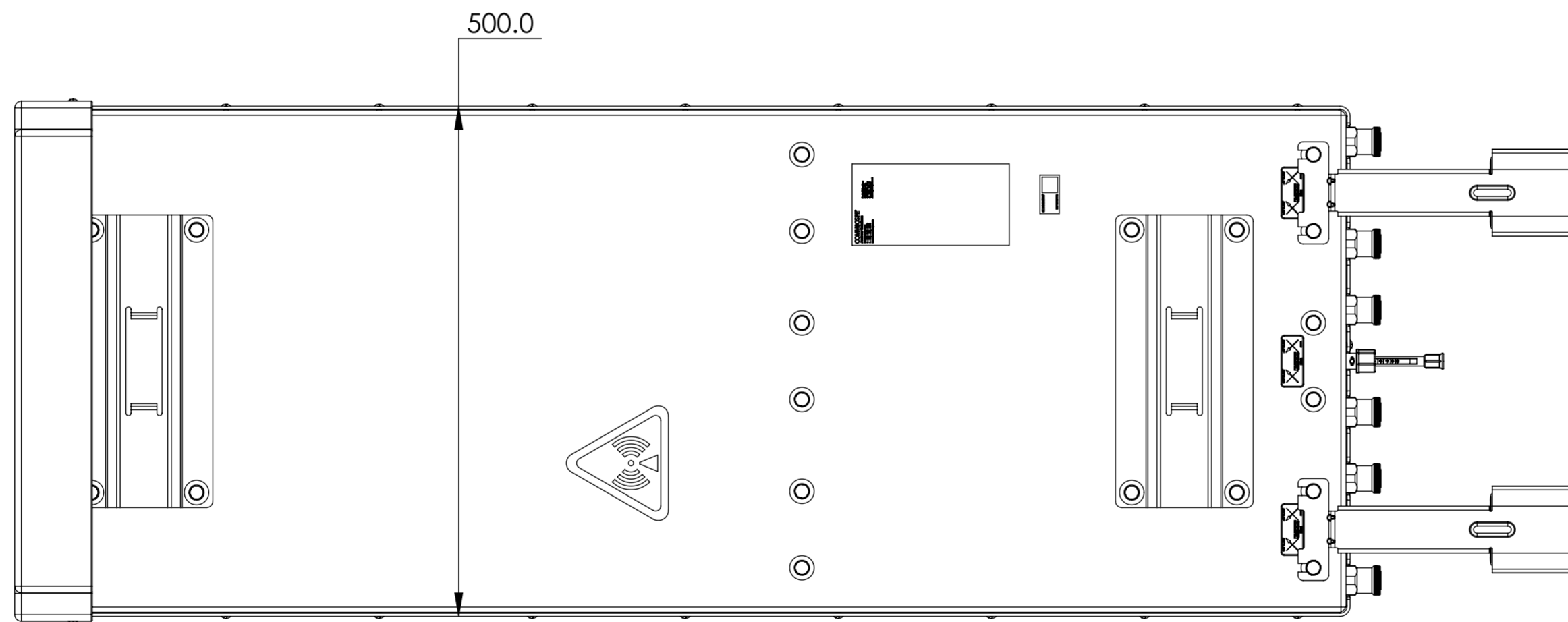
D



C

C

THIRD ANGLE PROJECTION



HBXXX-6516DS-A2M

B

B

A

A

ANDREW WESTCHESTER, IL. 60154
U.S.A.

PRODUCT DRAWING

THIRD ANGLE PROJECTION		SIZE	CAGE CODE	DOCUMENT NO.	VERSION	STATUS	REVISION	SHEET
		A2	84147	HBXXX-6516DS-VTM-L	08	RE	J	4 OF 5

NOTICE: These drawings and specifications are the proprietary property of ANDREW CORPORATION and may be used only for the specific purpose authorized in writing by Andrew.

4

3

2

1

THIRD ANGLE PROJECTION

4

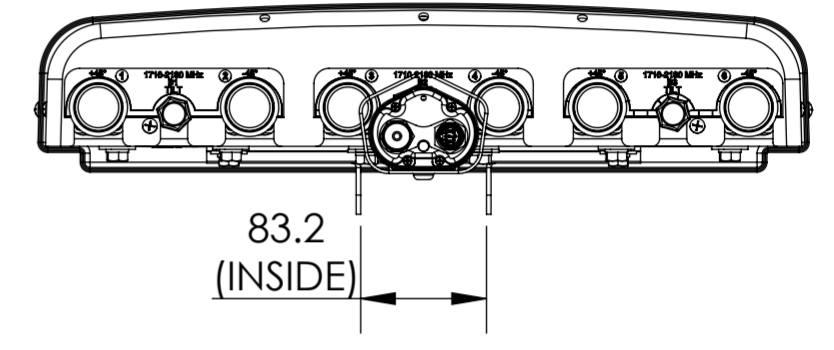
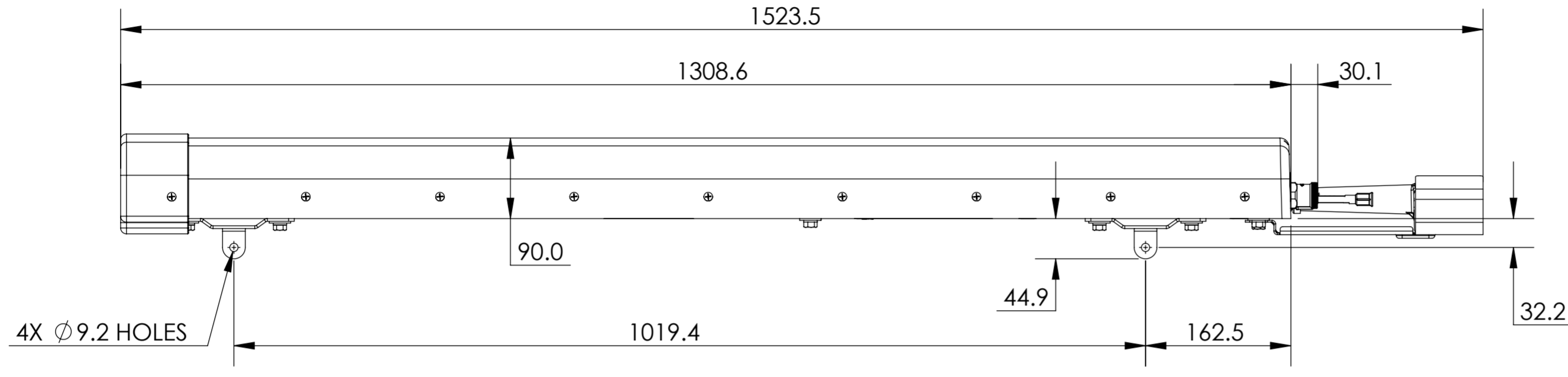
3

2

1

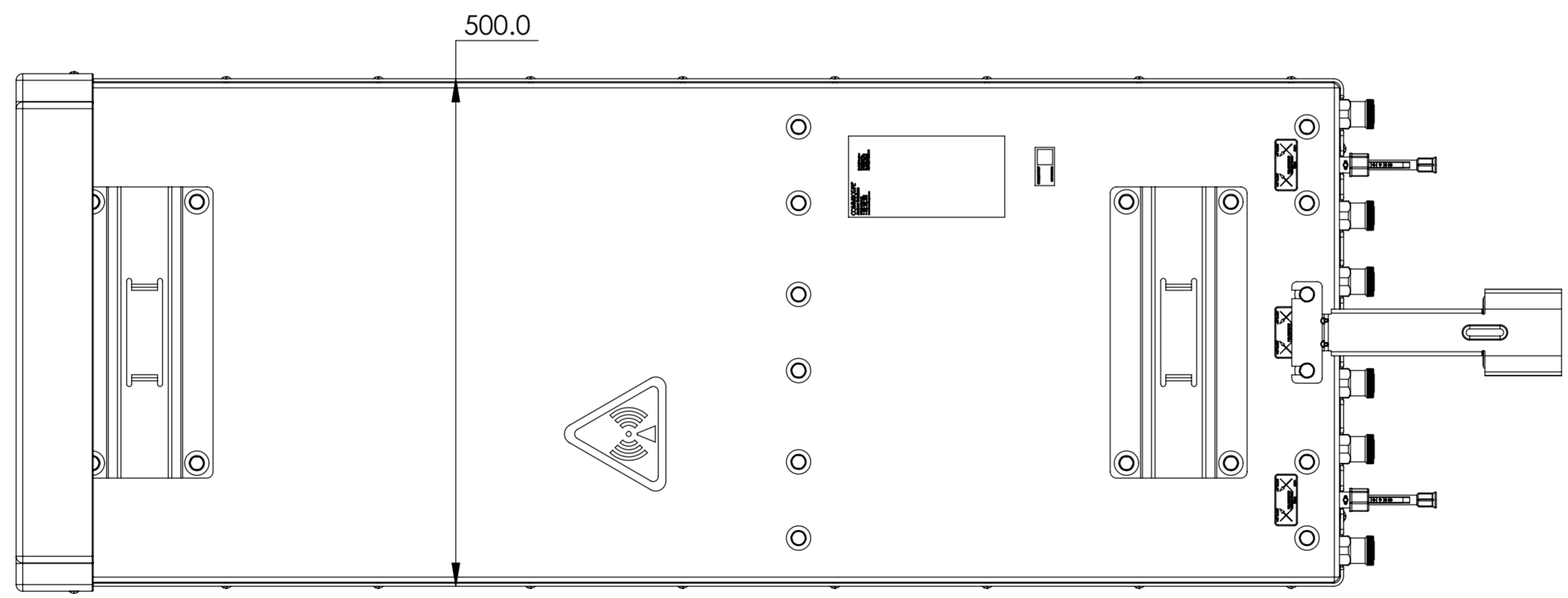
D

D



C

C



HBXXX-6516DS-A1M

B

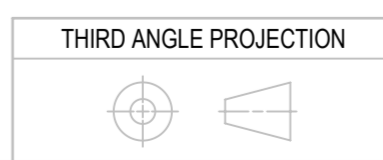
B

A

A

ANDREW® WESTCHESTER, IL. 60154
U.S.A.

PRODUCT DRAWING



SIZE	CAGE CODE	DOCUMENT NO.
A2	84147	HBXXX-6516DS-VTM-L

VERSION	STATUS	REVISION	SHEET
08	RE	J	5 OF 5

NOTICE: These drawings and specifications are the proprietary property of ANDREW CORPORATION and may be used only for the specific purpose authorized in writing by Andrew.

4

3

2

1

THIRD ANGLE PROJECTION