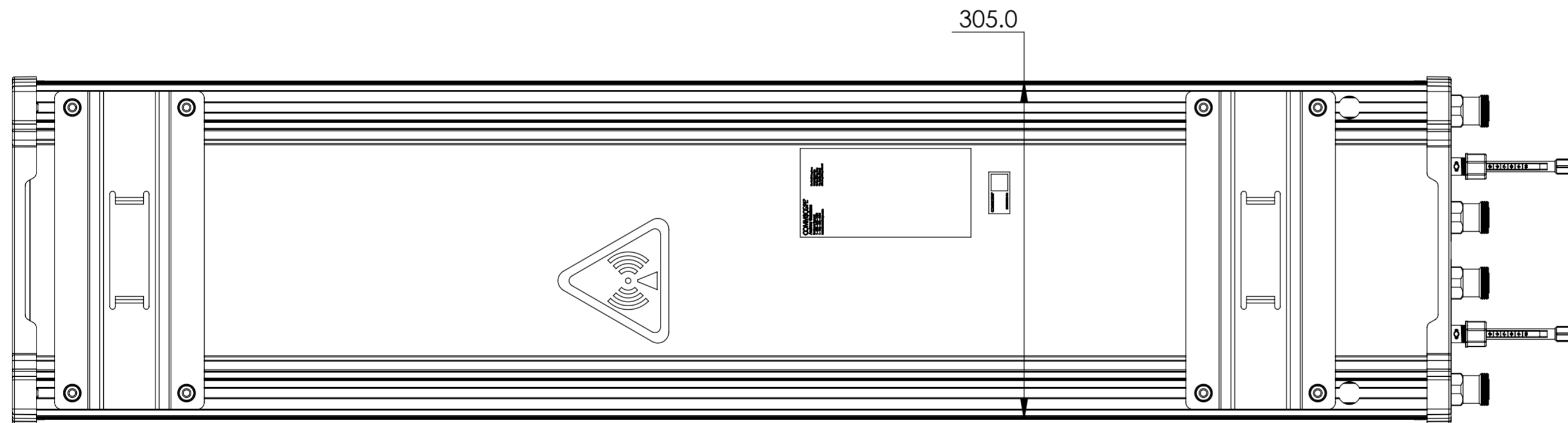
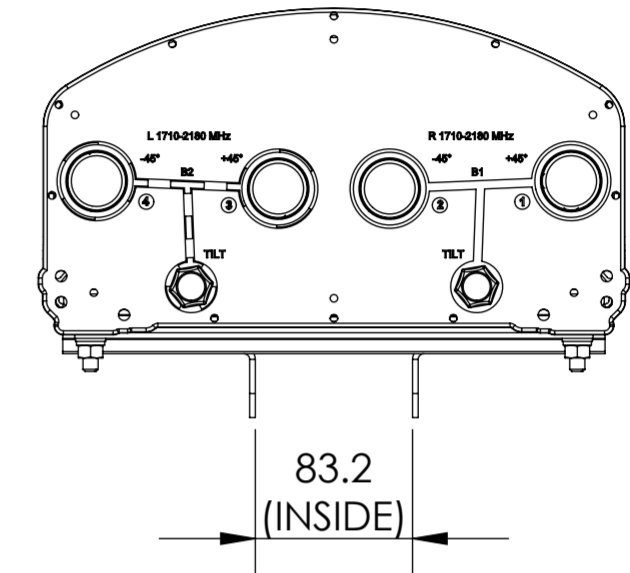
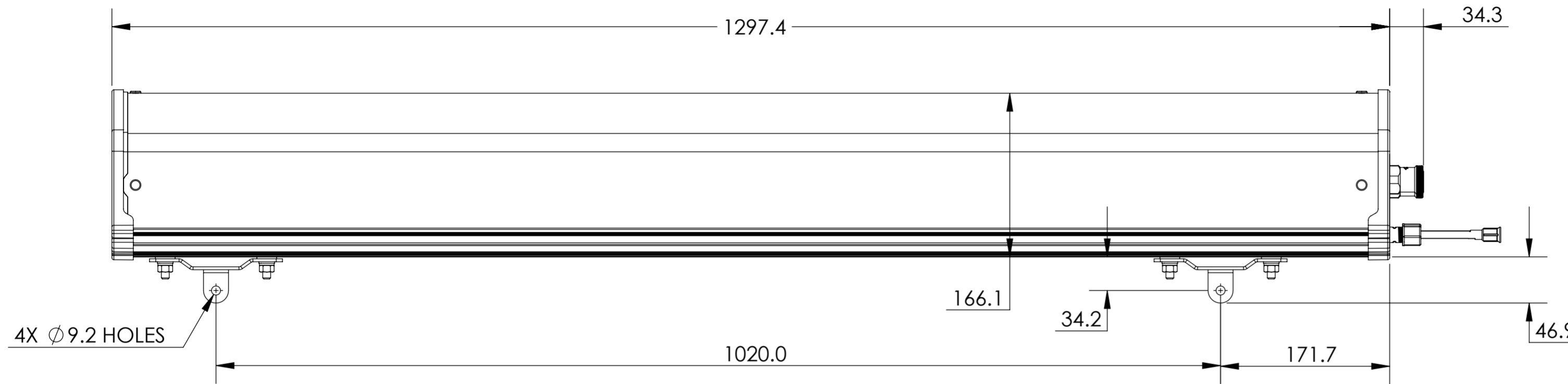


NOTES:

REVISIONS			
REV	DESCRIPTION	DATE	APPROVED
A	ECR 5078753: RELEASE TO PRODUCTION.	18FEB08 LYJ	JUSUN/GUXU
L	ECR 8000005559: ADD DXF FILE.	24OCT14 QF	S.LIU/JIHE
M	ECR 8000006209: UPDATE DRAWING WITH LATEST MODEL.	25DEC14 YR	S.LIU/JIHE
N	8000010677: ADD HBXX-6516DS4-VTM & A2M.	20OCT15 XHX	S.LIU/JIHE
P	ECR 8000013337: UPDATE DRAWING WITH LATEST MODEL.	28APR16 CMY	S.LIU/JIHE

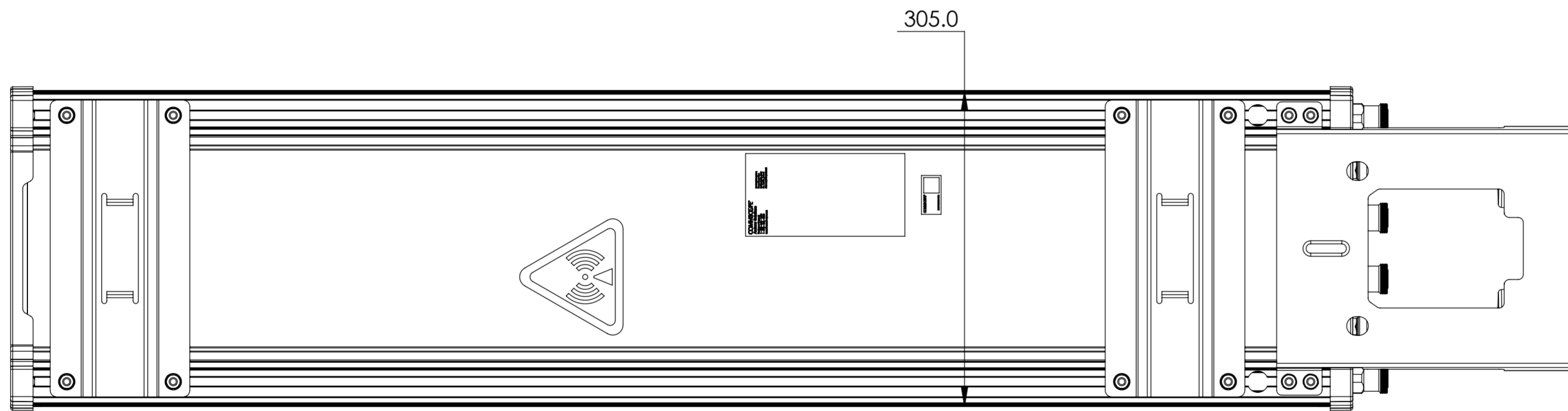
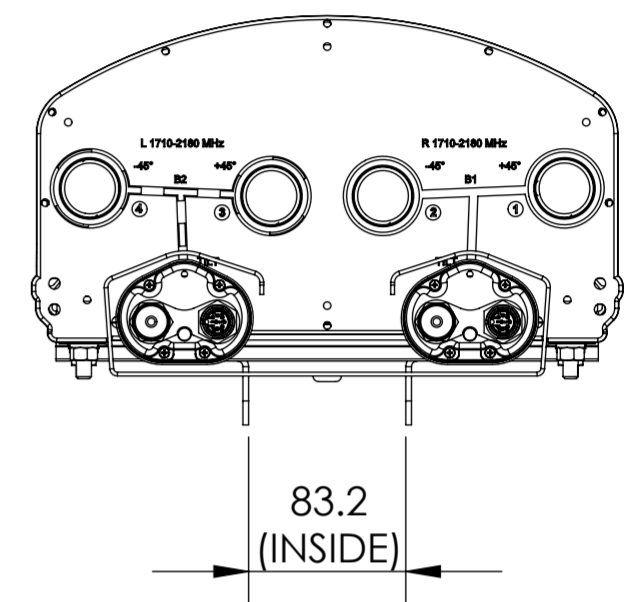
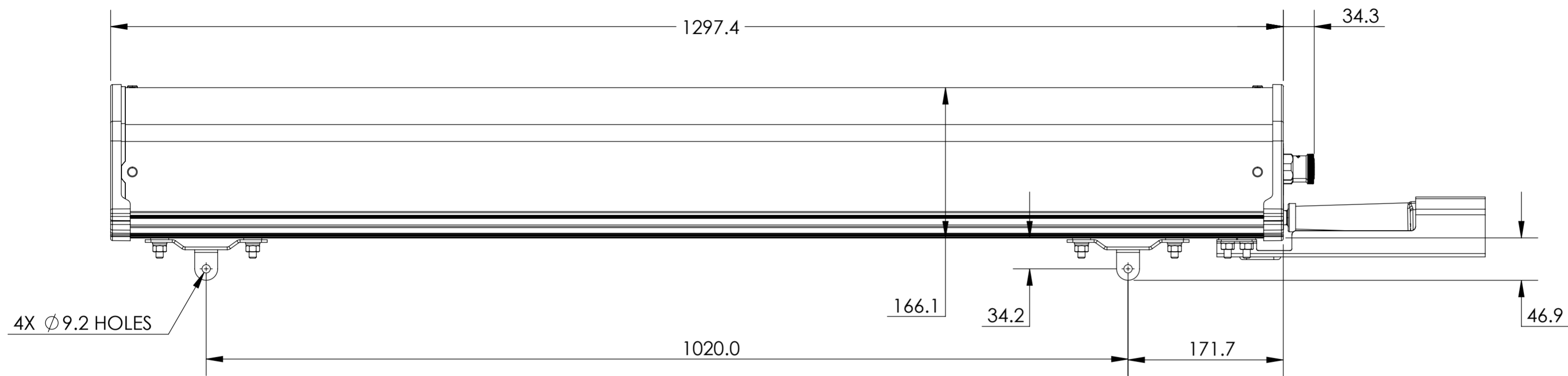


HBXX-6516DS-VTM
 HBXX-6516DST-VTM
 HBXX-6516DS4-VTM

MATERIAL N/A	DENSITY: MASS:	UNLESS OTHERWISE SPECIFIED DIMENSIONS ARE IN MILLIMETERS INTERPRET PER ISO STANDARDS HANDBOOK TECHNICAL DRAWINGS VOLUMES 1 & 2, THIRD EDITION (2002)	WESTCHESTER, IL. 60154 U.S.A.					
FINISH N/A	TOLERANCES 0 PLACE X ± 1 PLACE .X ± 2 PLACE .XX ± ANGLES ± ALL SURFACES ✓	THIRD ANGLE PROJECTION	PRODUCT DRAWING					
			DRAWN BY LYJ 18FEB08 ECN 8000013337-O	SIZE A2 CAGE CODE 84147 DOCUMENT NO. HBXX-6516DS-VTM-L				
NOTICE: These drawings and specifications are the proprietary property of ANDREW CORPORATION and may be used only for the specific purpose authorized in writing by Andrew.		AUTH. GROUP 23	MODEL	DRAWING	SHEET			
		VERSION 14	STATUS RE	REVISION R	VERSION 13	STATUS RE	REVISION P	SHEET 1 OF 3

D
C
B
A

D
C
B
A



HBXX-6516DS-R2M
 HBXX-6516DS-A2M
 HBXX-6516DS-E2M
 HBXX-6516DS4-A2M

ANDREW WESTCHESTER, IL. 60154
 U.S.A.

PRODUCT DRAWING

THIRD ANGLE PROJECTION		SIZE	CAGE CODE	DOCUMENT NO.	VERSION	STATUS	REVISION	SHEET
		A2	84147	HBXX-6516DS-VTM-L	13	RE	P	2 OF 3

NOTICE: These drawings and specifications are the proprietary property of ANDREW CORPORATION and may be used only for the specific purpose authorized in writing by Andrew.

A

A

4

3

THIRD ANGLE PROJECTION

2

1

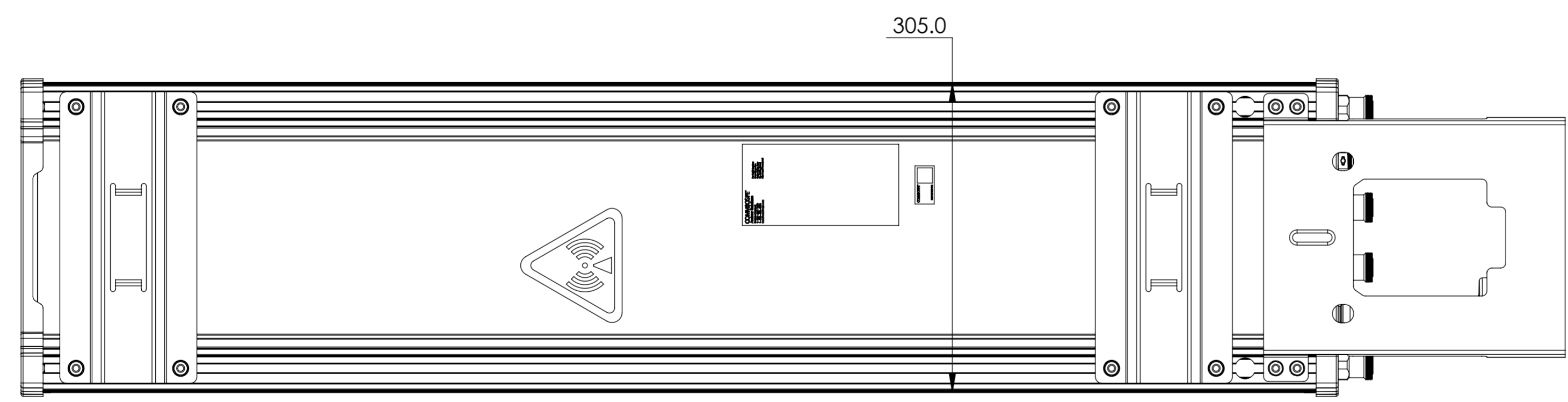
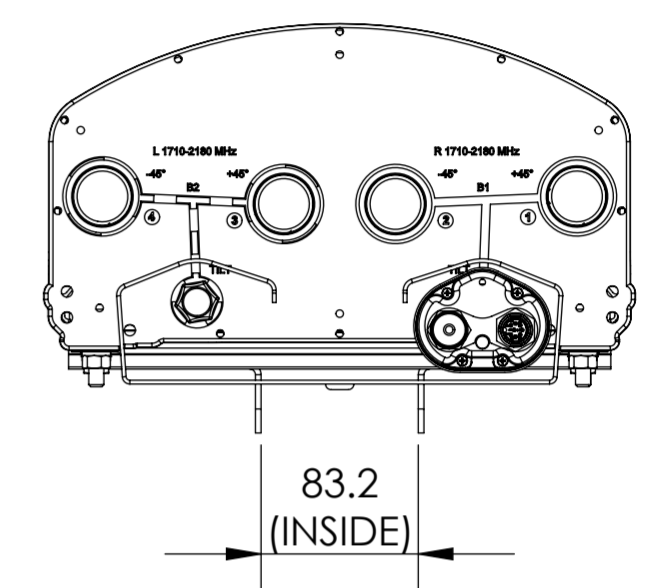
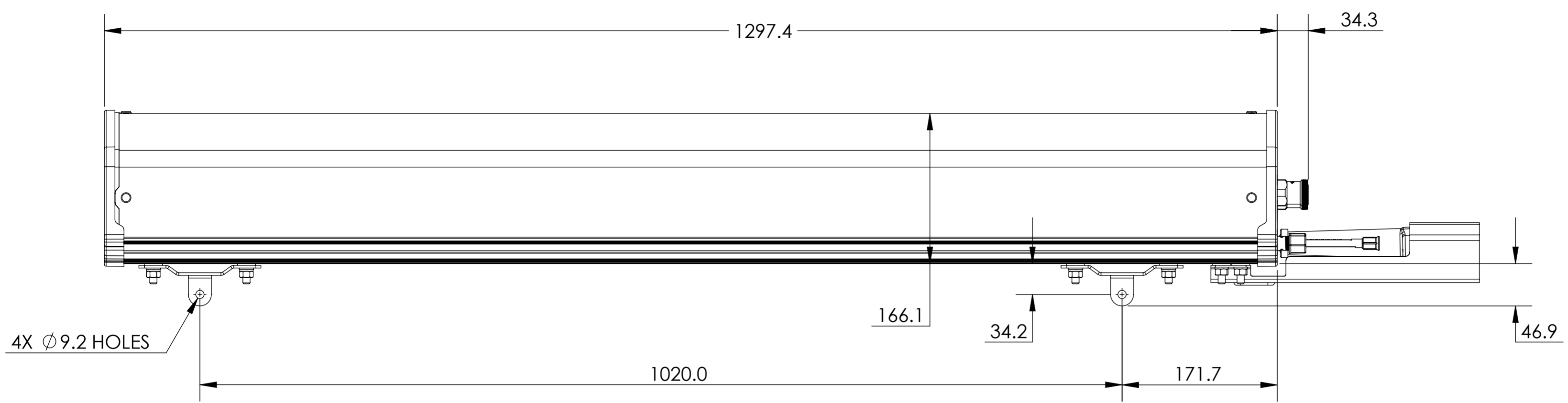
D
C
B
A

4

3

2

1



HBXX-6516DS-E1M
 HBXX-6516DS-A1M
 HBXX-6516DS-R1M

ANDREW WESTCHESTER, IL. 60154
 U.S.A.

PRODUCT DRAWING

THIRD ANGLE PROJECTION		SIZE	CAGE CODE	DOCUMENT NO.	VERSION	STATUS	REVISION	SHEET
		A2	84147	HBXX-6516DS-VTM-L	13	RE	P	3 OF 3

NOTICE: These drawings and specifications are the proprietary property of ANDREW CORPORATION and may be used only for the specific purpose authorized in writing by Andrew.

4

3

2

1

THIRD ANGLE PROJECTION