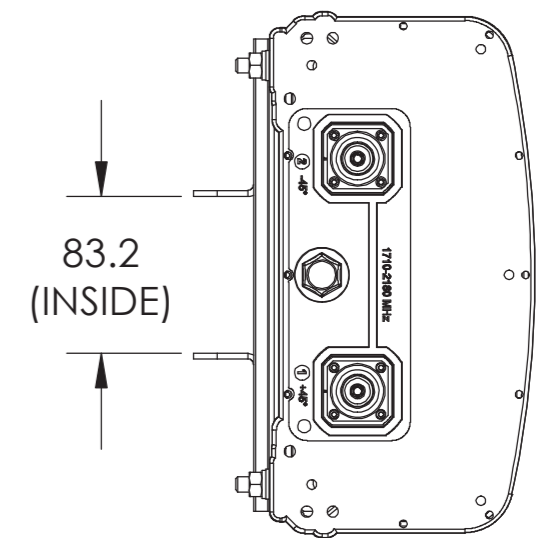
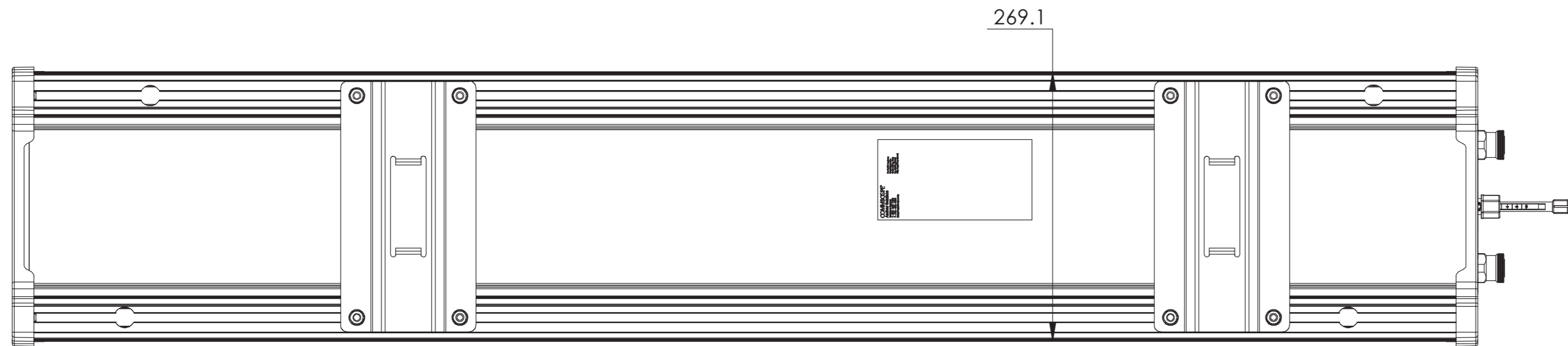
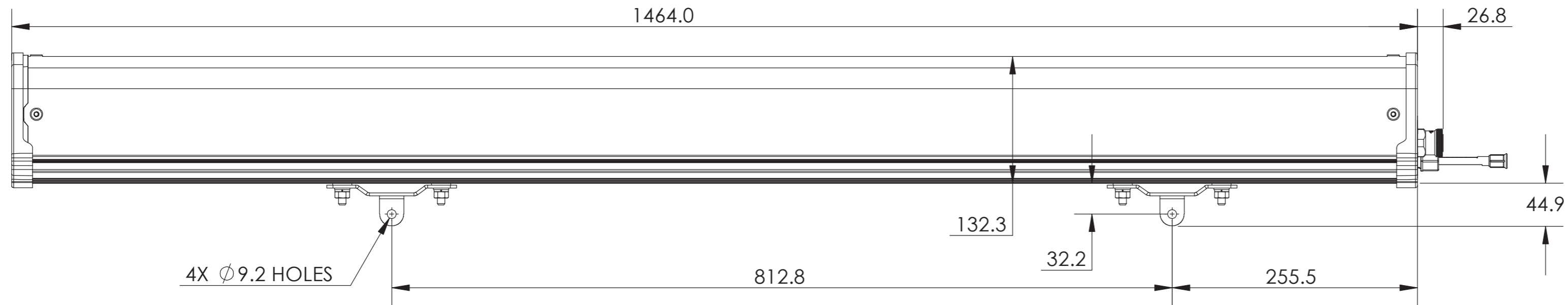


NOTES:

REVISIONS			
REV	DESCRIPTION	DATE	APPROVED
A	ECR 7002313: REL TO PRODUCTION. EE: HDUN ME: HQ	22NOV12 QJ	S.LIU/HDUN
C	ECR 8000004892: UPDATE DRAWING WITH LATEST MODEL.	29AUG14 DYT	S.LIU/JIHE
D	ECR 8000005403: ADD DXF FILE.	16OCT14 SJT	S.LIU/JIHE
E	ECR 8000006153: UPDATE DRAWING WITH LATEST MODEL.	24DEC14 ZW	S.LIU/JIHE
F	ECR 8000008218: UPDATE DRAWING WITH LATEST MODEL.	05JUN15 QF	S.LIU/JIHE



HBX-4517DS1-VTM

MATERIAL N/A	DENSITY: MASS: N/A	UNLESS OTHERWISE SPECIFIED DIMENSIONS ARE IN MILLIMETERS INTERPRET PER ISO STANDARDS HANDBOOK TECHNICAL DRAWINGS VOLUMES 1 & 2, THIRD EDITION (2002)	WESTCHESTER, IL. 60154 U.S.A.	
FINISH N/A	<u>TOLERANCES</u> 0 PLACE X ± 1 PLACE .X ± 2 PLACE .XX ± ANGLES ± ALL SURFACES ✓	<u>THIRD ANGLE PROJECTION</u> 	PRODUCT DRAWING	
DRAWN BY QJ 22NOV12		SIZE A2	CAGE CODE 84147	DOCUMENT NO. HBX-4517DS1-VTM-L
ECN 8000008218-O		AUTH. GROUP 23	MODEL	DRAWING
NOTICE: These drawings and specifications are the proprietary property of ANDREW CORPORATION and may be used only for the specific purpose authorized in writing by Andrew.		VERSION 05	STATUS RE	REVISION F
		VERSION 05	STATUS RE	REVISION F
				SHEET 1 OF 2

4

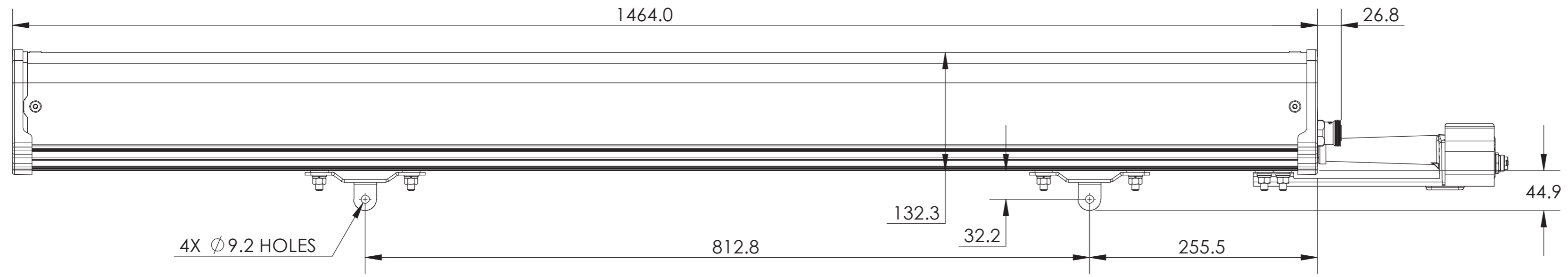
3

2

1

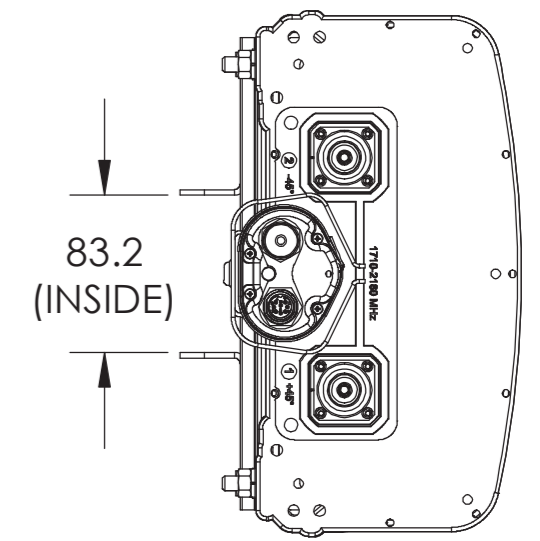
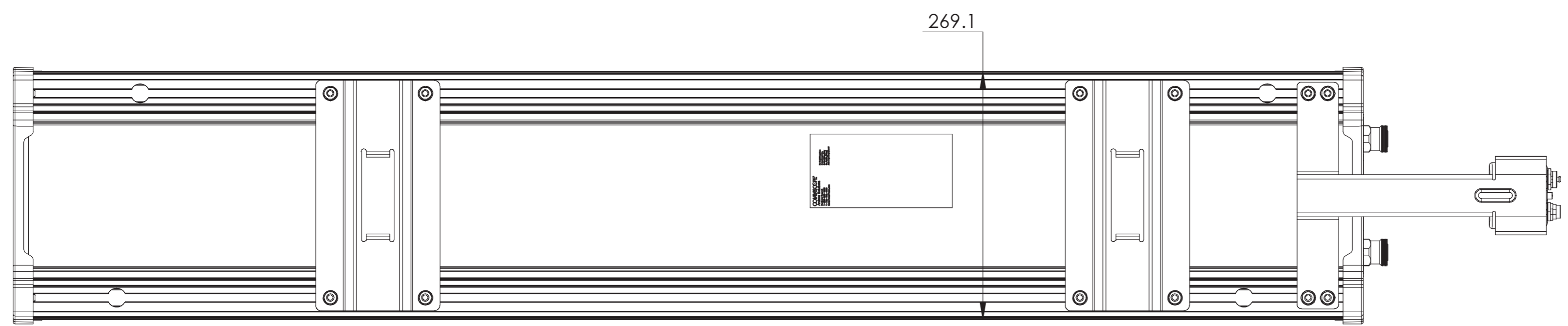
D

D



C

C



B

B

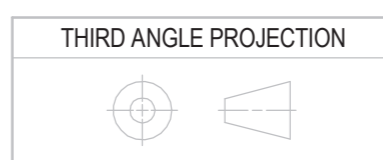
HBX-4517DS1-R2M
 HBX-4517DS1-A1M

A

A

ANDREW WESTCHESTER, IL. 60154
 U.S.A.

PRODUCT DRAWING



SIZE	CAGE CODE	DOCUMENT NO.
A2	84147	HBX-4517DS1-VTM-L

NOTICE: These drawings and specifications are the proprietary property of ANDREW CORPORATION and may be used only for the specific purpose authorized in writing by Andrew.	VERSION	STATUS	REVISION	SHEET
	05	RE	F	2 OF 2

4

3

2

1

THIRD ANGLE PROJECTION