

8

7

6

5

4

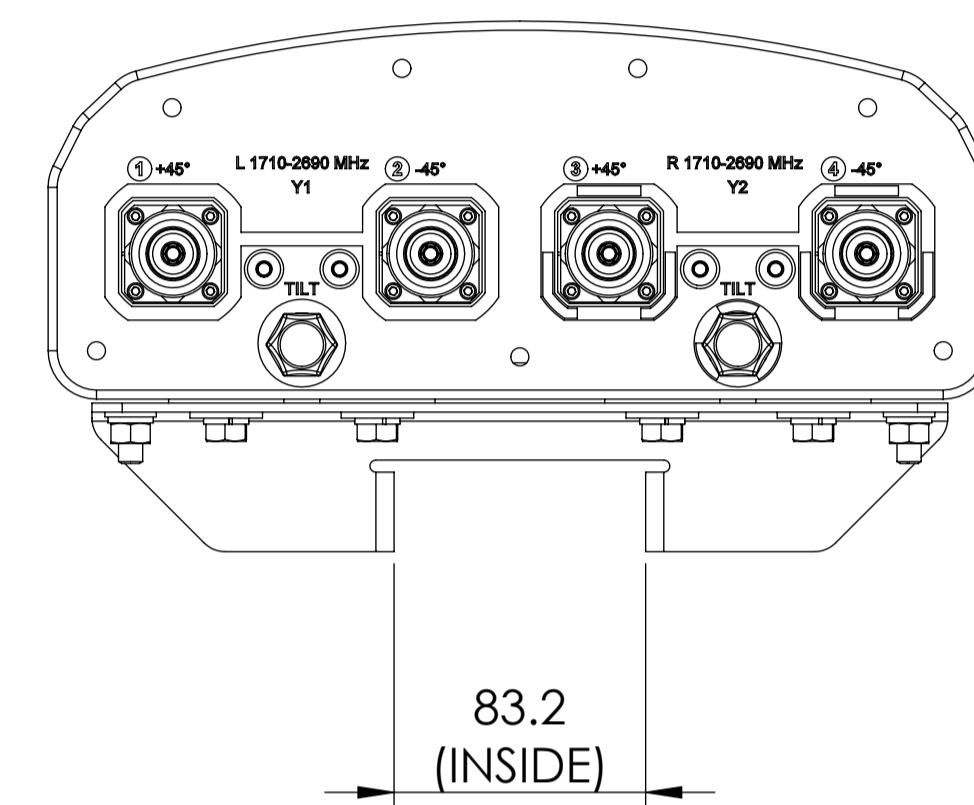
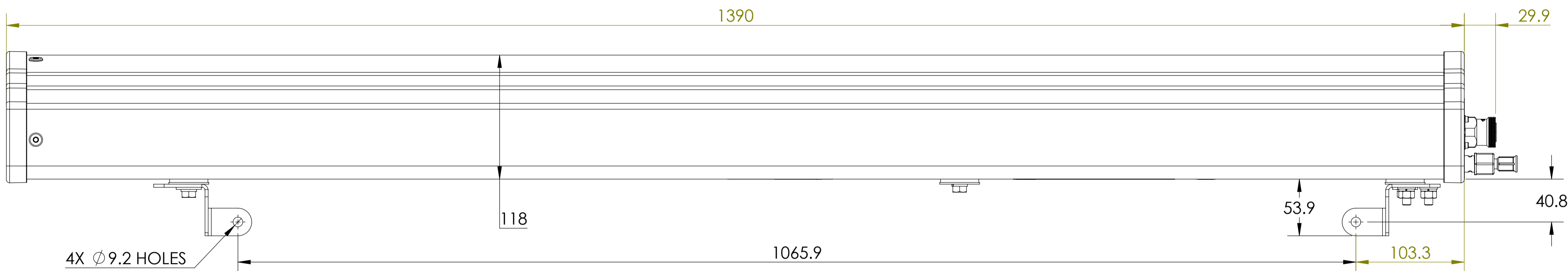
3

2

1

NOTES:

| REVISIONS |  |              |             |
|-----------|--|--------------|-------------|
| REV       | DESCRIPTION  | DATE         | APPROVED    |
| A         | ECR 7004214: RELEASE TO PRODUCTION PER EAO 600007. | 09/11/12 ZYL | YCLI/DUNHAO |
| F         | ECR 8000003871: UPDATE DRAWING.                    | 03JUN14 DYT  | S.LIU/JIHE  |
| G         | ECR 8000005559: ADD DXF FILE.                      | 24OCT14 RY   | S.LIU/JIHE  |
| H         | ECR 8000013320: UPDATE DRAWING WITH LATEST MODEL.  | 13APR16 LS   | S.LIU/JIHE  |
| J         | ECR 8000020142: UPDATE DRAWING.                    | 23FEB17 HM   | S.LIU/JIHE  |



HWXX-6516DS1-VTM  
 HWXX-6516DST-VTM  
 HWXX-6516DS1T-VTM

THIRD ANGLE PROJECTION

THIRD ANGLE PROJECTION

|   |   |  |                                  |                                    |
|---|---|--|----------------------------------|------------------------------------|
| MATERIAL<br>N/A   | DENSITY:<br>MASS:   | UNLESS OTHERWISE SPECIFIED<br>DIMENSIONS ARE IN MILLIMETERS<br>INTERPRET PER ISO STANDARDS<br>HANDBOOK, TECHNICAL DRAWINGS,<br>VOLUMES 1 & 2, THIRD EDITION (2002) | WESTCHESTER, IL. 60154<br>U.S.A. |                                    |
| FINISH<br>N/A   | TOLERANCES<br>0 PLACE X±<br>1 PLACE .X±<br>2 PLACE .XX±<br>ANGLES ±<br>ALL SURFACES ✓ | THIRD ANGLE PROJECTION<br>   | PRODUCT DRAWING                  |                                    |
| DRAWN BY ZYL 09/11/12<br>ECN 8000020142-O   |   | SIZE<br><b>A1</b>  | CAGE CODE<br><b>84147</b>        | DOCUMENT NO.<br>HWXX-6516DS1-VTM-L |
| AUTH. GROUP 23  |   | MODEL  | DRAWING                          |                                    |
| NOTICE: These drawings and specifications are the proprietary property of ANDREW CORPORATION and may be used only for the specific purpose authorized in writing by Andrew. |   | VERSION<br>04  | STATUS<br>RE                     | REVISION<br>E                      |
|   |   | VERSION<br>08  | STATUS<br>RE                     | REVISION<br>J                      |
|   |   |  |                                  | SHEET<br>1 OF 3                    |

8

7

6

3

2

1

8

7

6

5

4

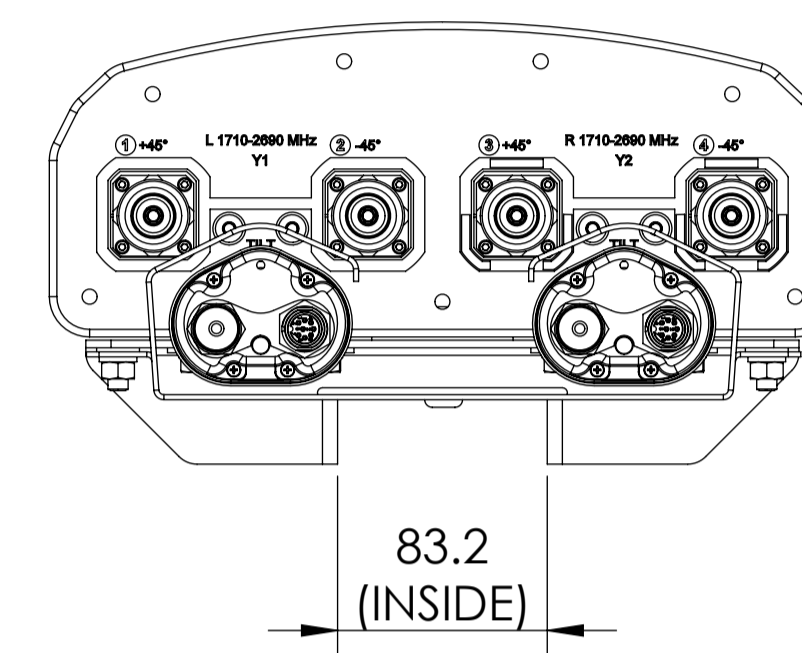
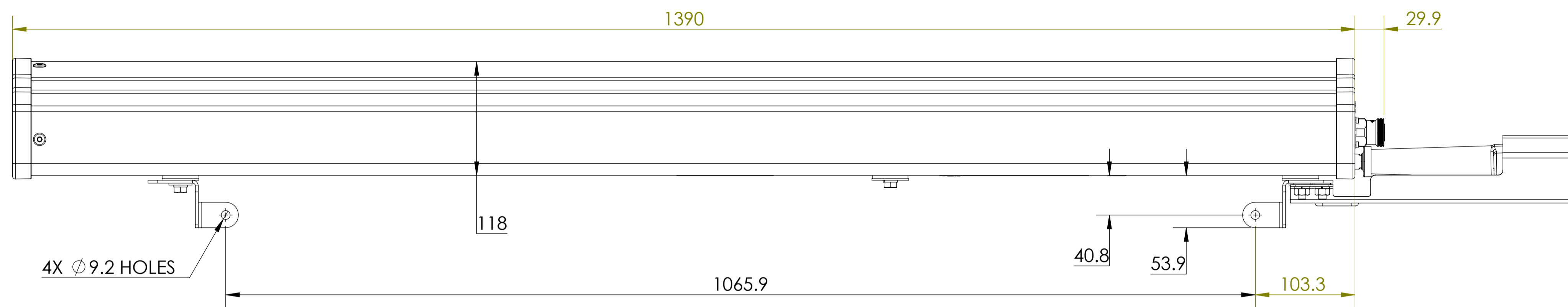
3

2

1

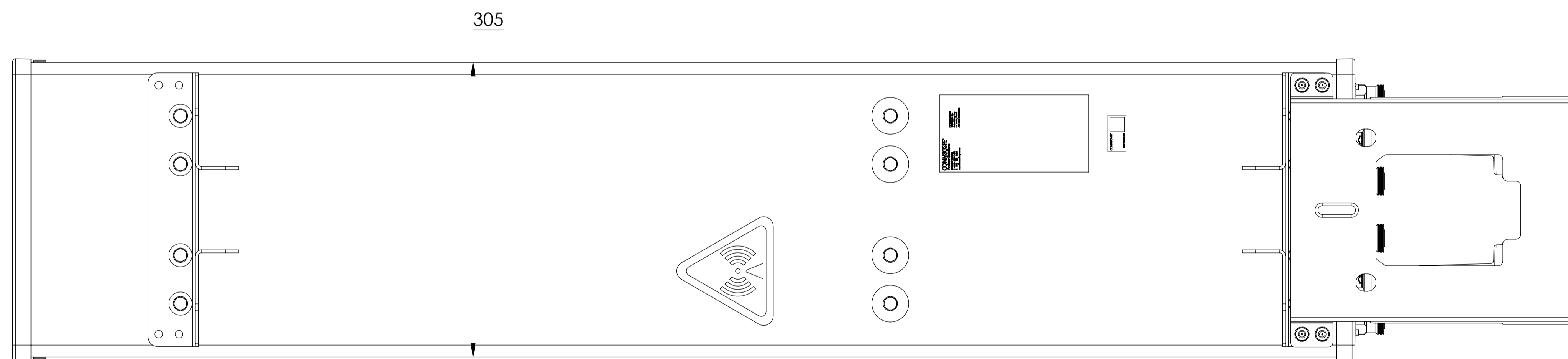
D

D



C

THIRD ANGLE PROJECTION



B

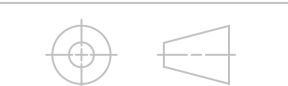
HWXX-6516DS1-A2M

A

WESTCHESTER, IL. 60154  
U.S.A.

PRODUCT DRAWING

THIRD ANGLE PROJECTION



SIZE  
**A1 84147**

DOCUMENT NO.  
HWXX-6516DS1-VTM-L

NOTICE: These drawings and specifications are the proprietary property of ANDREW CORPORATION and may be used only for the specific purpose authorized in writing by Andrew.

| VERSION | STATUS | REVISION | SHEET  |
|---------|--------|----------|--------|
| 08      | RE     | J        | 2 OF 3 |

8

7

6

THIRD ANGLE PROJECTION

3

2

1

8

7

6

5

4

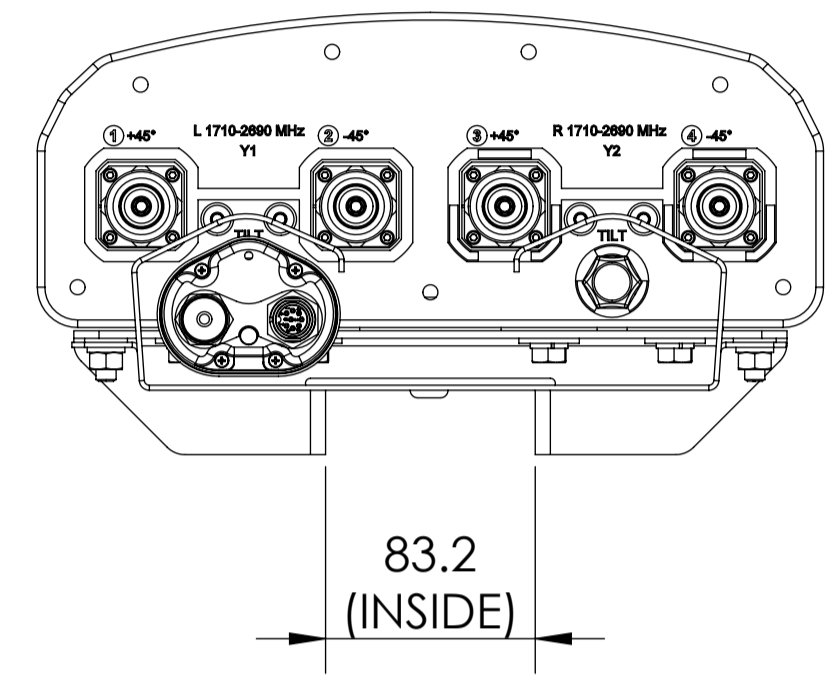
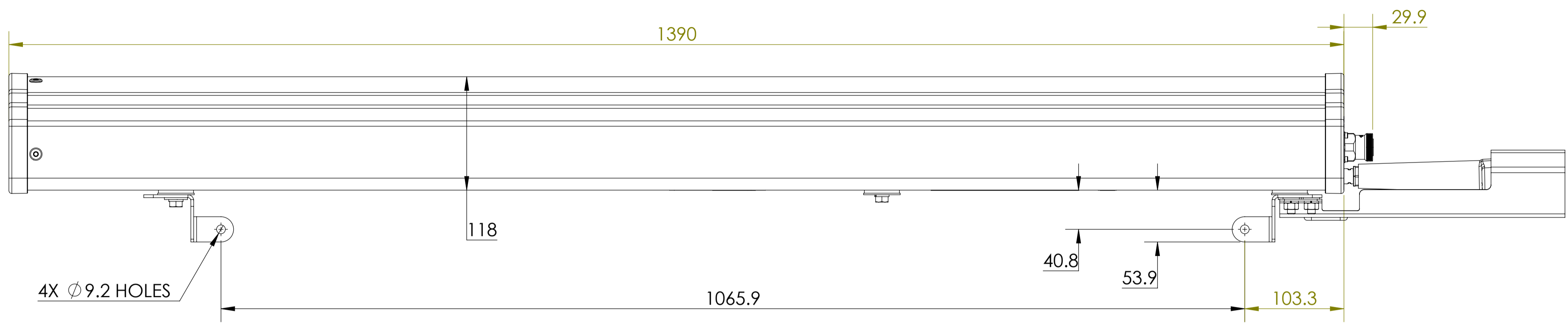
3

2

1

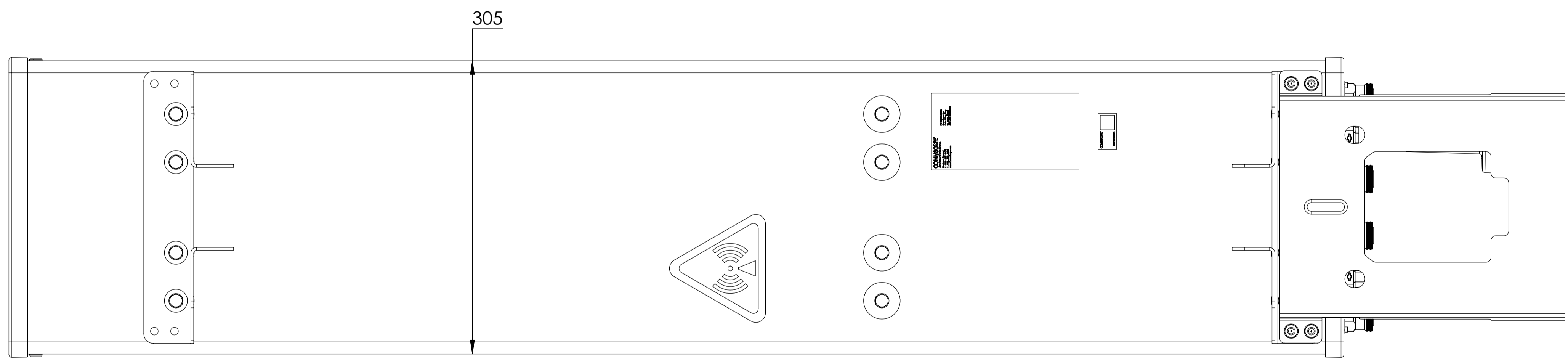
D

D



C

THIRD ANGLE PROJECTION



B

HWXX-6516DS1-A1M

A

A

WESTCHESTER, IL. 60154  
U.S.A.

PRODUCT DRAWING

|                        |                      |                           |   |
|------------------------|----------------------|---------------------------|---|
| THIRD ANGLE PROJECTION | SIZE<br><b>A1</b>    | CAGE CODE<br><b>84147</b> | DOCUMENT NO.<br><b>HWXX-6516DS1-VTM-L</b> |
|                        | VERSION<br><b>08</b> |                           | STATUS<br><b>RE</b>                       |
|                        | REVISION<br><b>J</b> |                           | SHEET<br><b>3 OF 3</b>                    |

NOTICE: These drawings and specifications are the proprietary property of ANDREW CORPORATION and may be used only for the specific purpose authorized in writing by Andrew.

8

7

6

THIRD ANGLE PROJECTION

3

2

1