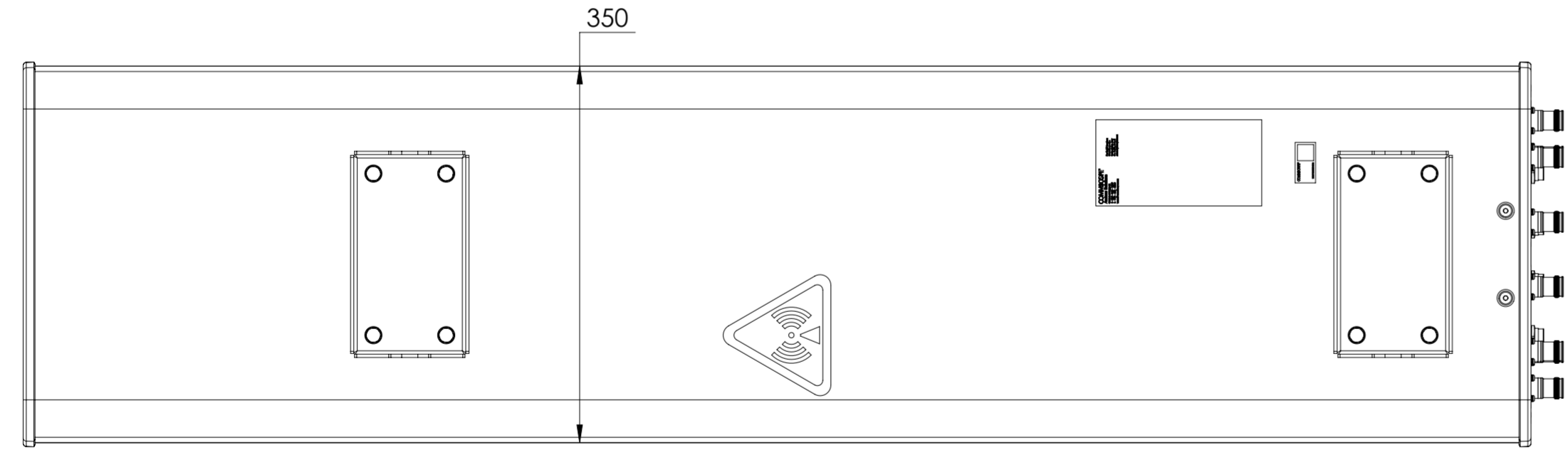
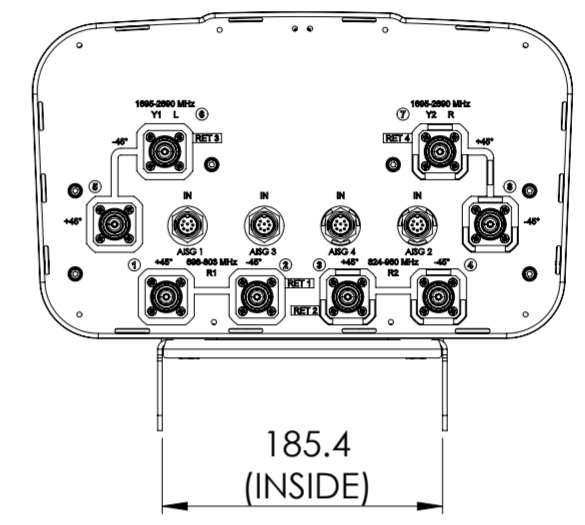
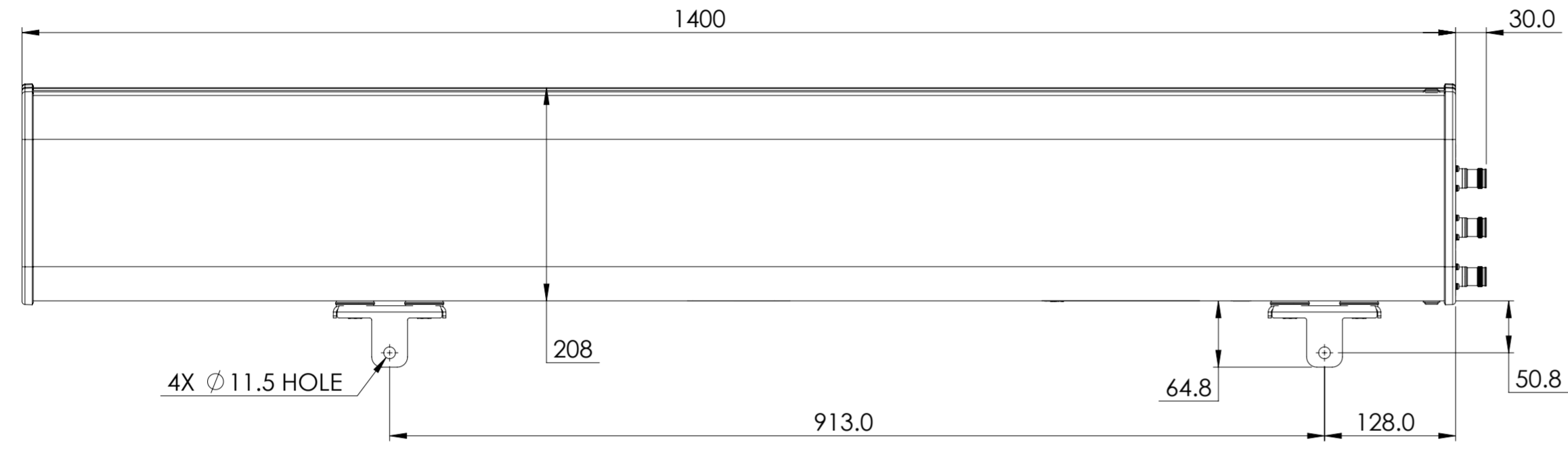


NOTES:

REVISIONS			
REV.	DESCRIPTION	DATE	APPROVED
A	ECR 8000026872: REL TO PRODUCTION PER EAO 604700.	3/19/18 J.H	XYH/GPF



JCVV-65A-R4

<b>COMMSCOPE, INC. OF NORTH CAROLINA</b>											
TOLERANCES					SAP MATERIAL MASTER						
0 PLACE X ±		2 PLACE .XX ±									
1 PLACE .X ±		ANGLES ±									
FINISH					MATERIAL						
<b>PRODUCT DRAWING</b>											
<small>UNLESS OTHERWISE SPECIFIED DIMENSIONS ARE IN MILLIMETERS INTERPRET PER ISO STANDARDS HANDBOOK TECHNICAL DRAWINGS VOLUMES 1 &amp; 2, THIRD EDITION (2002)</small>											
		NAME		DATE		TITLE					
		CE J.H		3/12/18							
		RW XYHANG		03/19/2018							
		RV YX1020		03/20/2018							
		AD PG1041		03/20/2018							
		RE BYUAN		03/20/2018							
		ECN 8000026872-O		SCALE 1:5		DOCUMENT NO. JCVV-65A-R4-L					
DENSITY		g/mm³		SIZE		WORK AREA 23		MODEL		DRAWING	
MASS		grams		A2		VERSION 01		STATUS RE		REVISION A	
VOLUME		mm³				VERSION 01		STATUS RE		REVISION A	
SURFACE AREA		mm²				VERSION 01		STATUS RE		REVISION A	
HEIGHT						VERSION 01		STATUS RE		REVISION A	
LENGTH						VERSION 01		STATUS RE		REVISION A	
WIDTH						VERSION 01		STATUS RE		REVISION A	
										SHEET 1 OF 1	