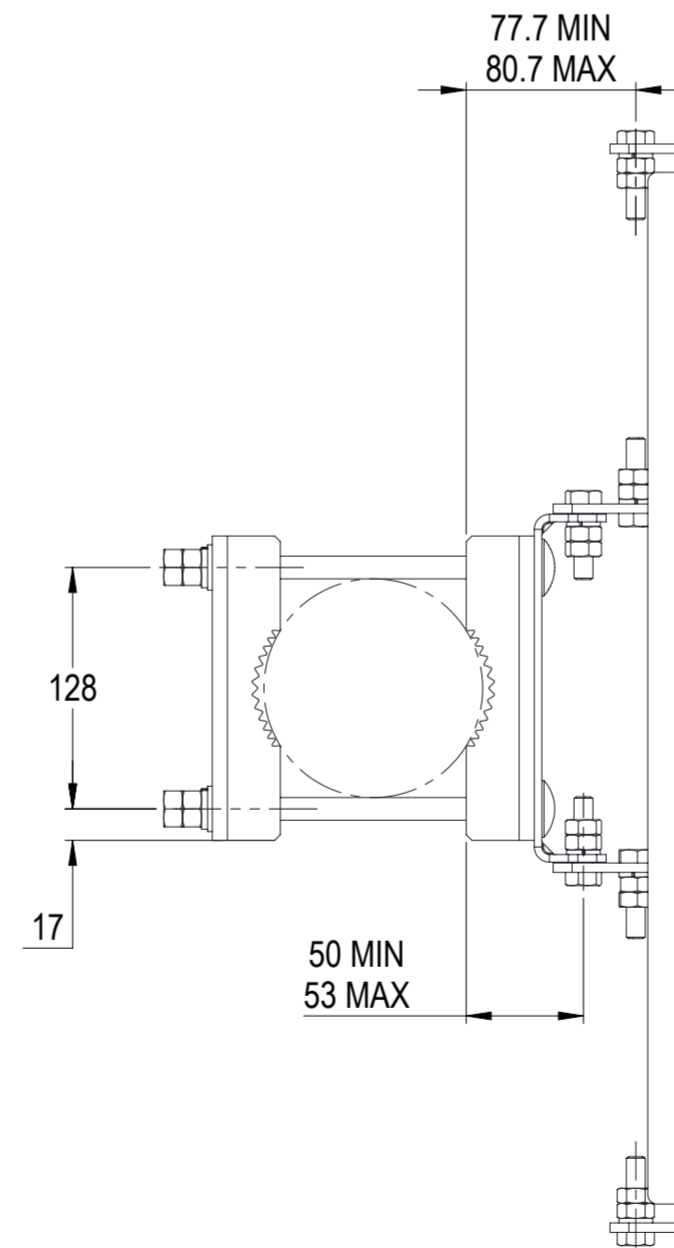
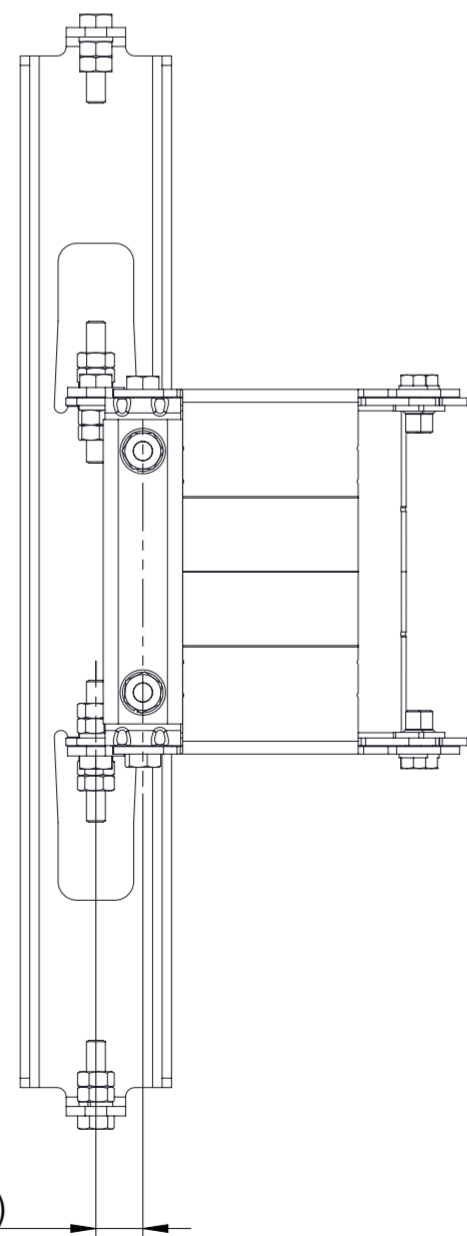
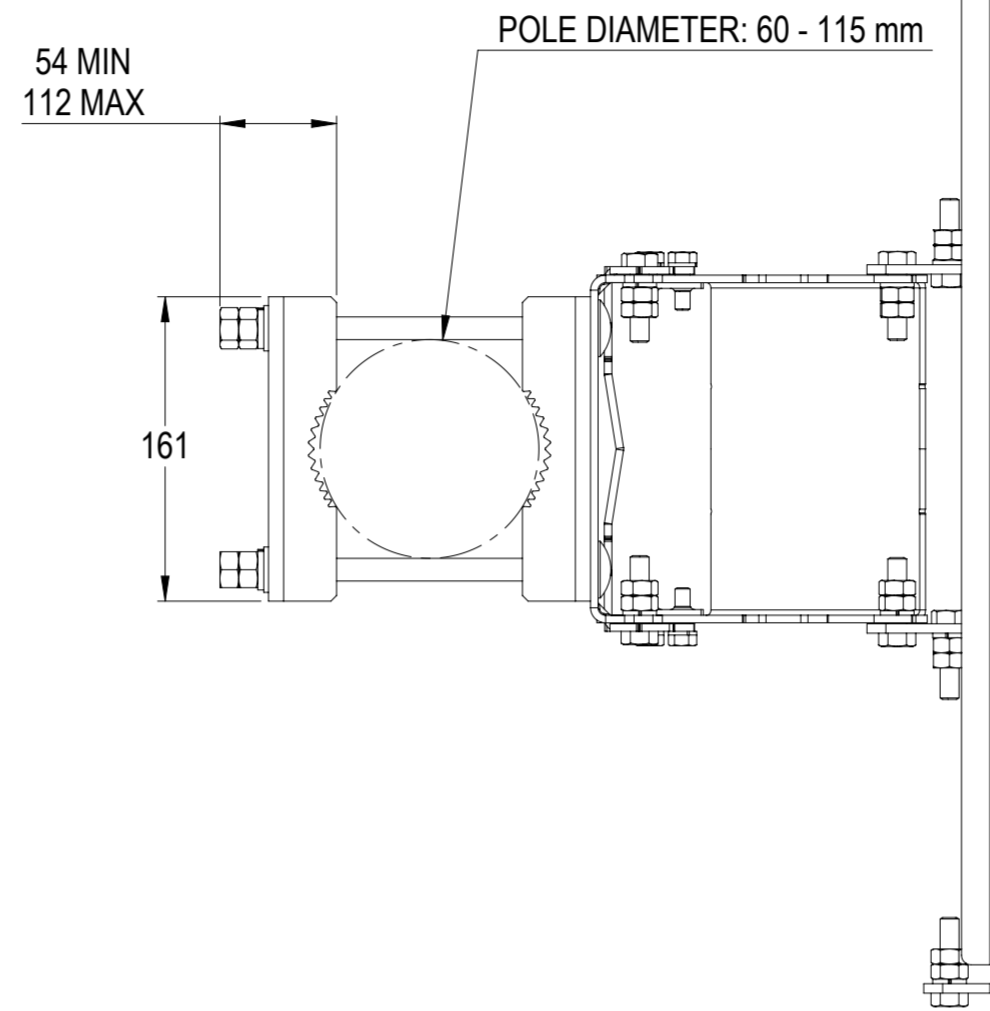
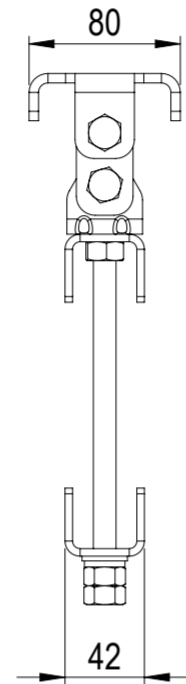
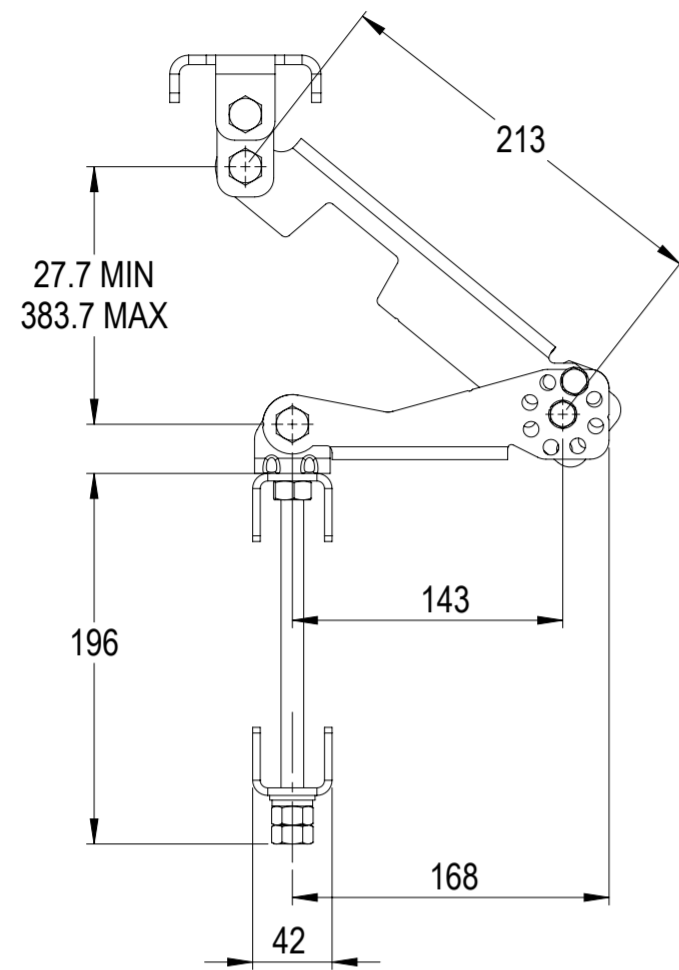


NOTES:

| REVISIONS |                                                                 |             |              |
|-----------|-----------------------------------------------------------------|-------------|--------------|
| REV.      | DESCRIPTION                                                     | DATE        | APPROVED     |
| A         | ECR 8000009454: RELEASE TO PRODUCTION.                          | 29JUL15 L.Z | LMS / L.TIAN |
| B         | ECR 8000020048: REPLACE BSAMNT-1 WITH BSAMNT-3 IN LNXX-MNT KIT. | 15FEB17 HWN | S.LIU / JIHE |



LNXX-MNT

|              |                   |
|--------------|-------------------|
| DENSITY      | g/mm <sup>3</sup> |
| MASS         | 9.76 Kg           |
| VOLUME       | mm <sup>3</sup>   |
| SURFACE AREA | mm <sup>2</sup>   |

| NAME      | DATE       | TITLE           |
|-----------|------------|-----------------|
| CE L.Z    | 22JUL15    | PRODUCT DRAWING |
| RW WH1034 | 02/21/2017 |                 |
| RV ML1035 | 02/21/2017 |                 |
| AD CL1042 | 02/21/2017 |                 |
| RE BYUAN  | 02/21/2017 |                 |

SCALE: 1:4  
DOCUMENT NO.: LNXX-MNT-L

| SIZE | WORK AREA | 23     | MODEL    |         |        | DRAWING  |          |        | SHEET |
|------|-----------|--------|----------|---------|--------|----------|----------|--------|-------|
| A2   | VERSION   | STATUS | REVISION | VERSION | STATUS | REVISION | REVISION | 1 OF 1 |       |
|      | 01        | RE     | B        | 01      | RE     | B        |          |        |       |

© 2015 CommScope, Inc.