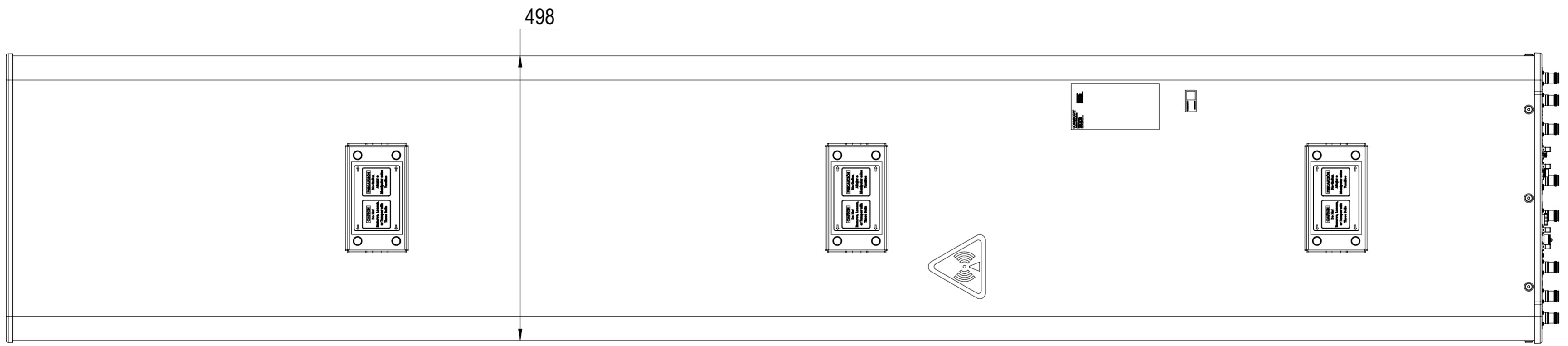
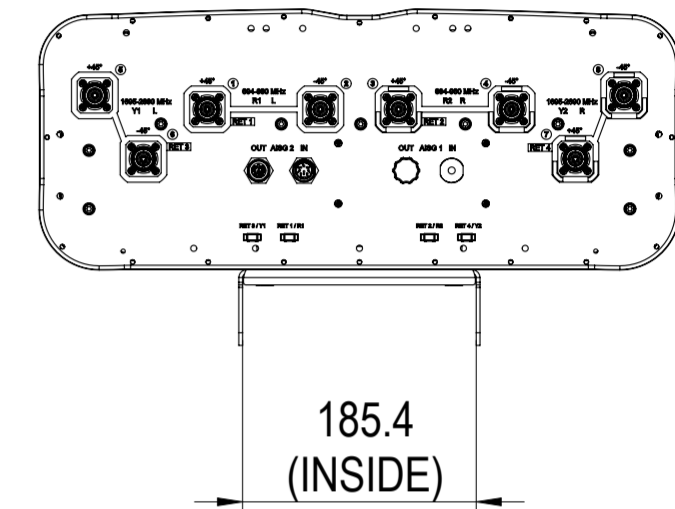
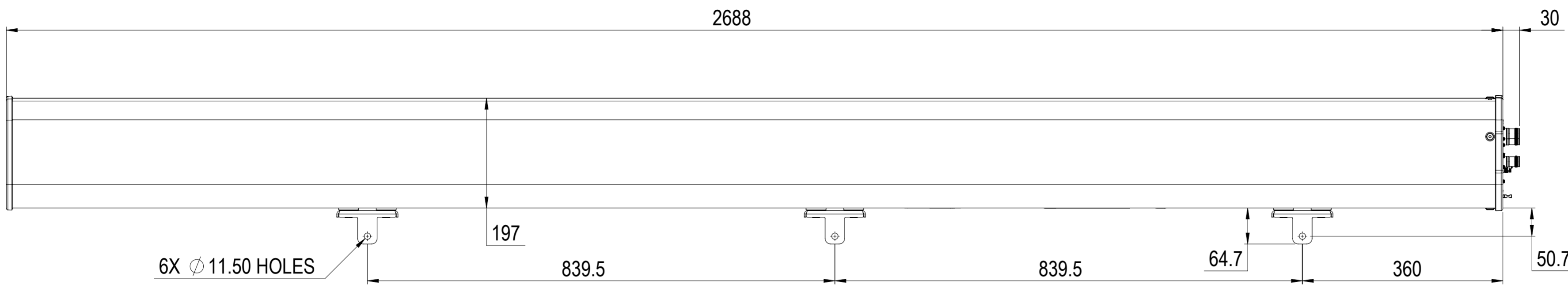


REVISIONS			
REV.	DESCRIPTION	DATE	APPROVED
A	ECR 8000034740: RELEASE TO PRODUCTION PER EAO 606674.	19JUN19 HQJ	THD/L.SHAN



RRVV-65D-R4-V2

COMMSCOPE, INC. OF NORTH CAROLINA

TOLERANCES		SAP MATERIAL MASTER	
0 PLACE X ±	2 PLACE .XX ±		
1 PLACE .X ±	ANGLES ±		
FINISH		MATERIAL	
<small>UNLESS OTHERWISE SPECIFIED DIMENSIONS ARE IN MILLIMETERS INTERPRET PER ISO STANDARDS HANDBOOK TECHNICAL DRAWINGS, VOLUMES 1 & 2, THIRD EDITION (2002)</small>		NAME	DATE
		CE HQJ	07/03/2019
		RW QH1005	07/03/2019
		RV HDTANG	07/03/2019
		AD LS1037	07/03/2019
RE XIAOWANG	07/03/2019	TITLE	
ECN 8000034740-O	SCALE 1:6		DOCUMENT NO. RRVV-65D-R4-V2-L
SIZE	WORK AREA 23	MODEL	
A2		VERSION 00	STATUS RE
		REVISION A	VERSION 00
		STATUS RE	REVISION A
		DRAWING	
		VERSION 00	STATUS RE
		REVISION A	REVISION A
		SHEET 1 OF 1	

DENSITY	g/mm ³
MASS	grams
VOLUME	mm ³
SURFACE AREA	mm ²
HEIGHT	
LENGTH	
WIDTH	