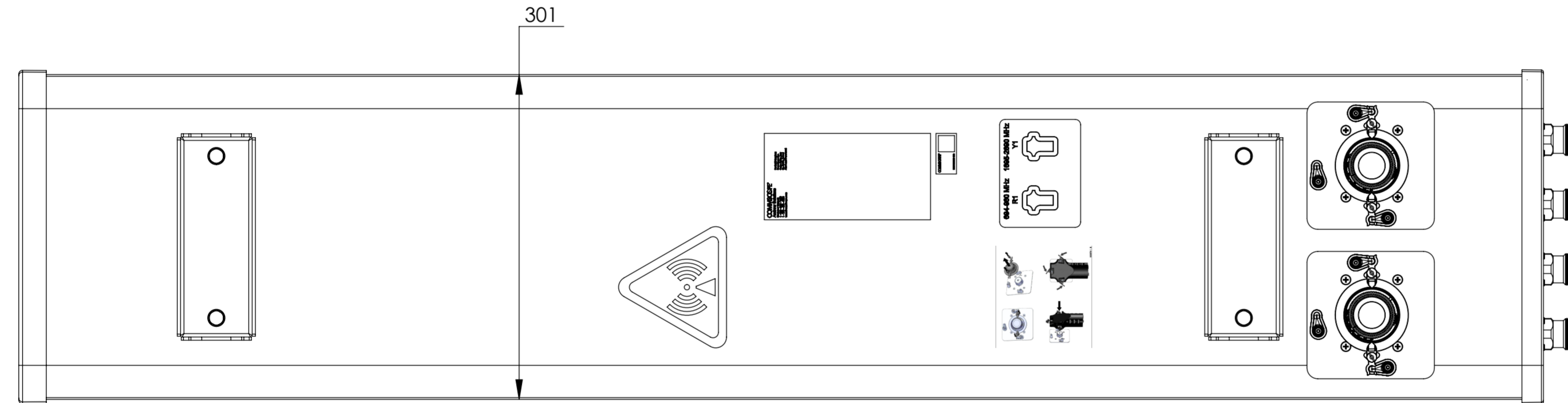
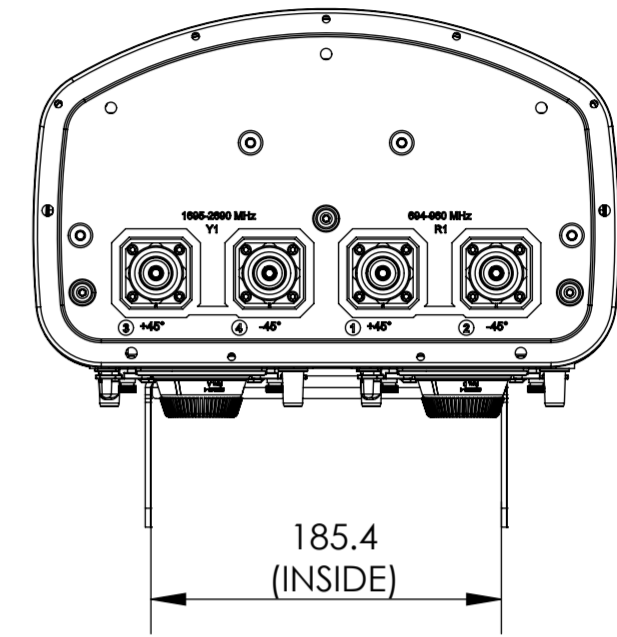
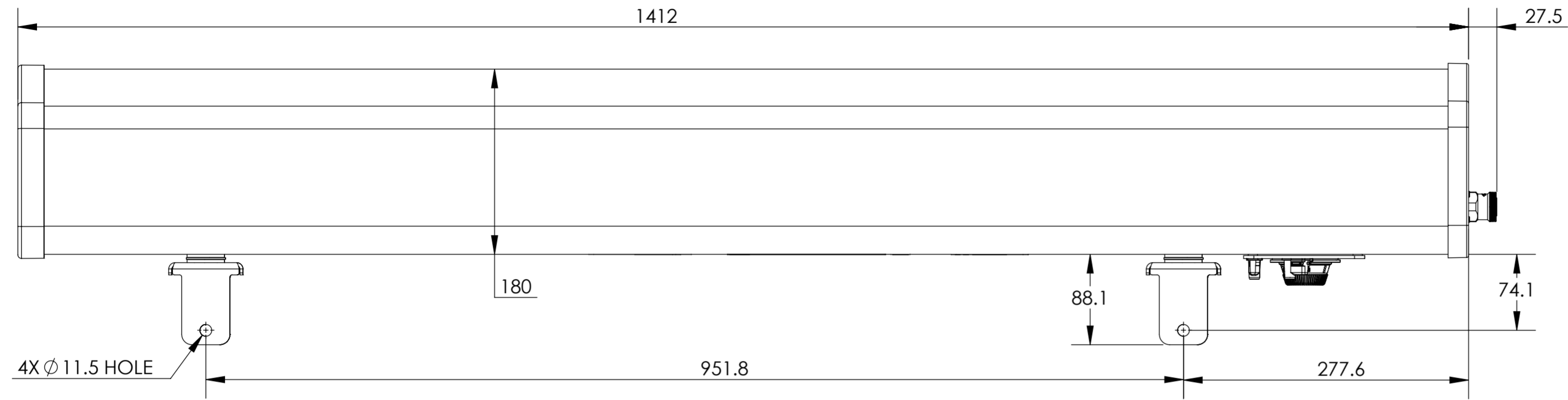


NOTES:

REVISIONS			
REV.	DESCRIPTION	DATE	APPROVED
A	ECR 800005428: REL TO PRODUCTION PER EAO 602108.	3/10/15 CB	ZB/AS
B	ECR 8000016644: UPDATE LABELS.	25OCT16 ZH	S.LIU/JIHE
C	ECR 8000022720: ADD ANTENNA RV65A-1X2.	05MAY17 RY	S.LIU/JIHE



RV65A-M

COMMSCOPE, INC. OF NORTH CAROLINA

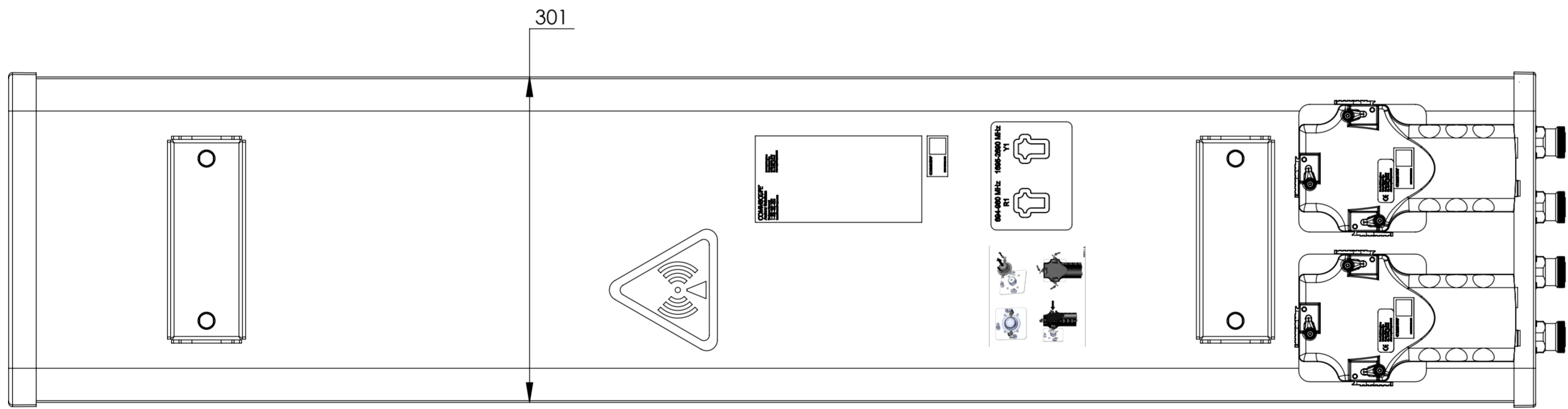
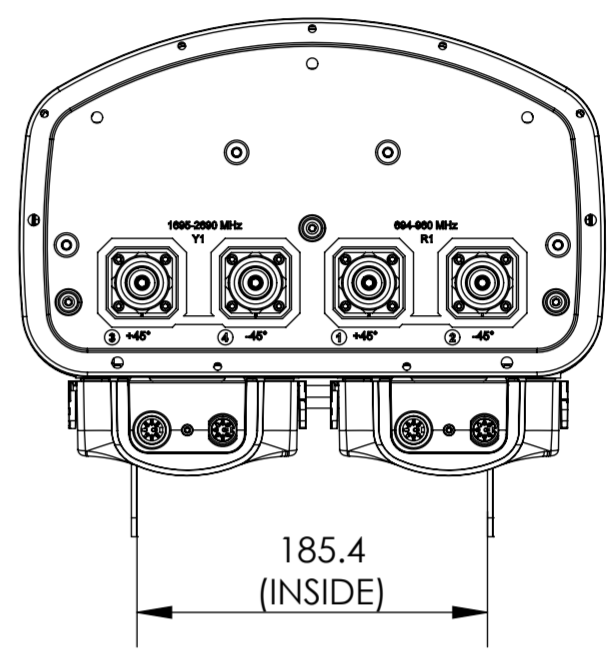
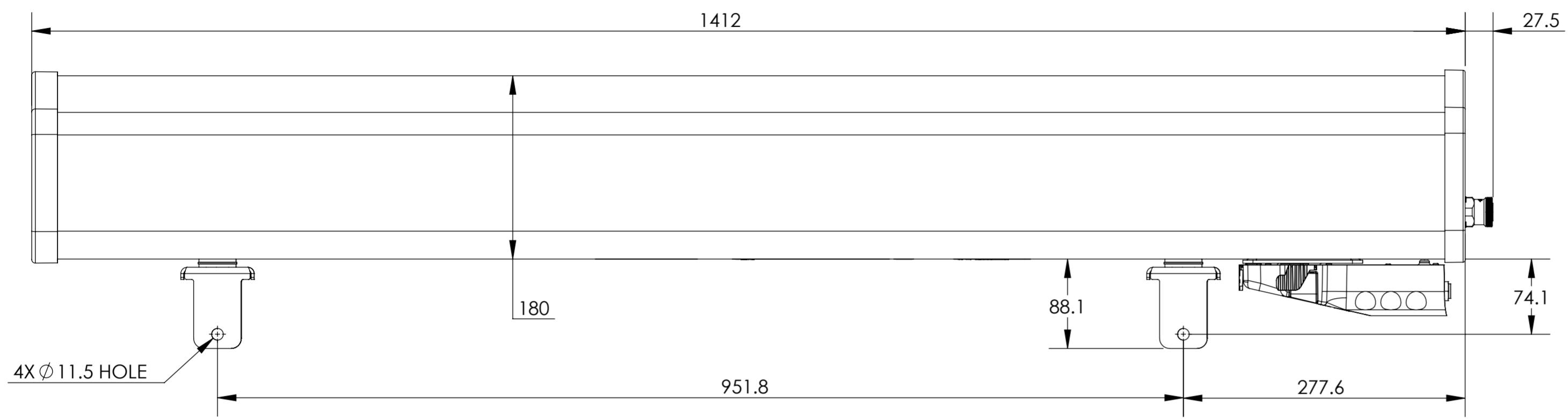
DENSITY:	TOLERANCES	SAP MATERIAL MASTER
MASS:	0 PLACE X ±	
VOLUME:	1 PLACE .X ±	
SURFACE AREA:	2 PLACE .XX ±	
	ANGLES ±	

FINISH	MATERIAL
N/A	N/A

<small>UNLESS OTHERWISE SPECIFIED DIMENSIONS ARE IN MILLIMETERS INTERPRET PER ISO STANDARDS HANDBOOK TECHNICAL DRAWINGS VOLUMES 1 & 2, THIRD EDITION (2002)</small>	NAME	DATE	TITLE
	CE C. BROWN	2/5/15	PRODUCT DRAWING
	RW RY1017	05/05/2017	
	RV CHALIU	05/08/2017	
	AD JIHE	05/09/2017	
	RE BYUAN	05/09/2017	
ECN 8000022720-O	SIZE A2	SCALE 1:4	DOCUMENT NO. RV65A-M-L

© 2016 CommScope, Inc.
 NOTICE: These drawings and specifications are the proprietary property of COMMSCOPE, INC.
 and may be used only for the specific purpose authorized in writing by COMMSCOPE, INC.

HEIGHT	ALL SURFACES	WORK AREA	23	MODEL	DRAWING			SHEET
LENGTH		VERSION	STATUS	REVISION	VERSION	STATUS	REVISION	1 OF 3
WIDTH		00	RE	A	02	RE	C	

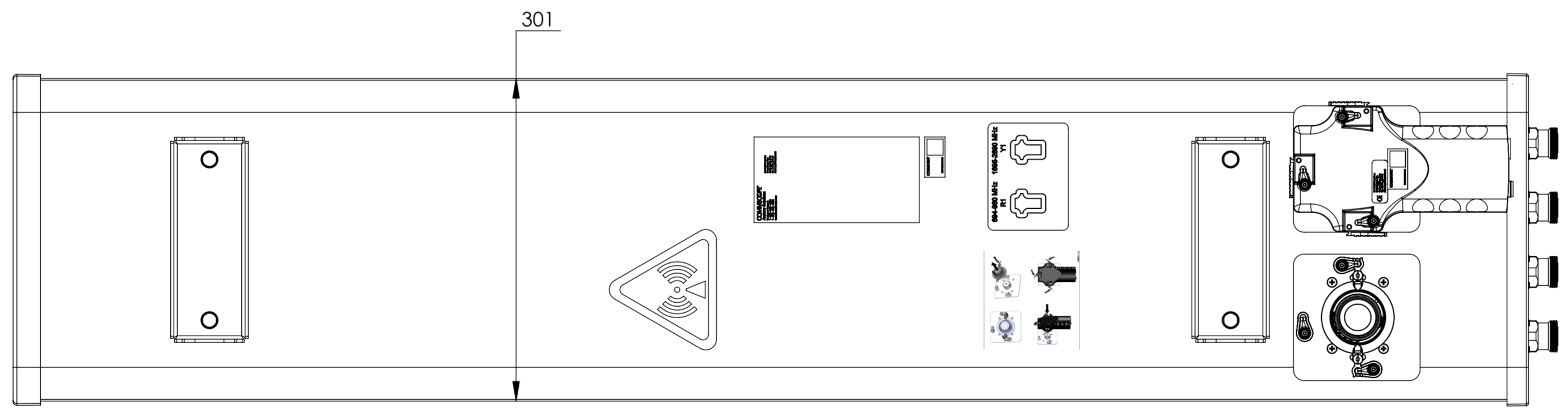
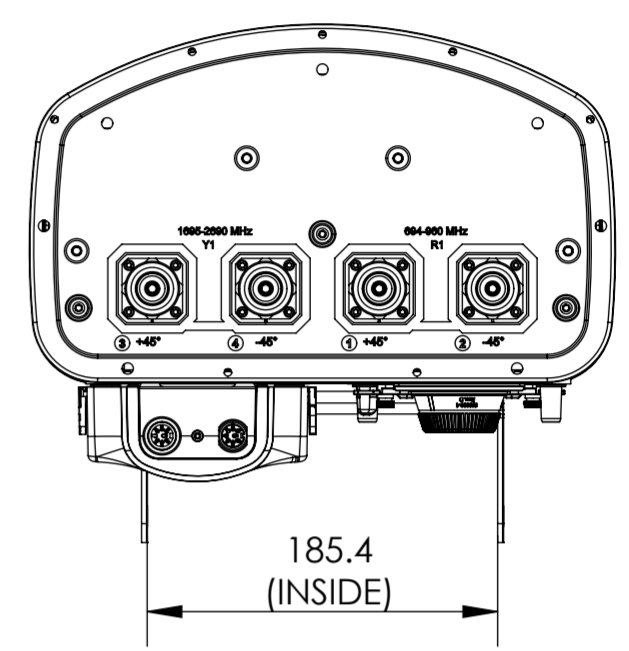
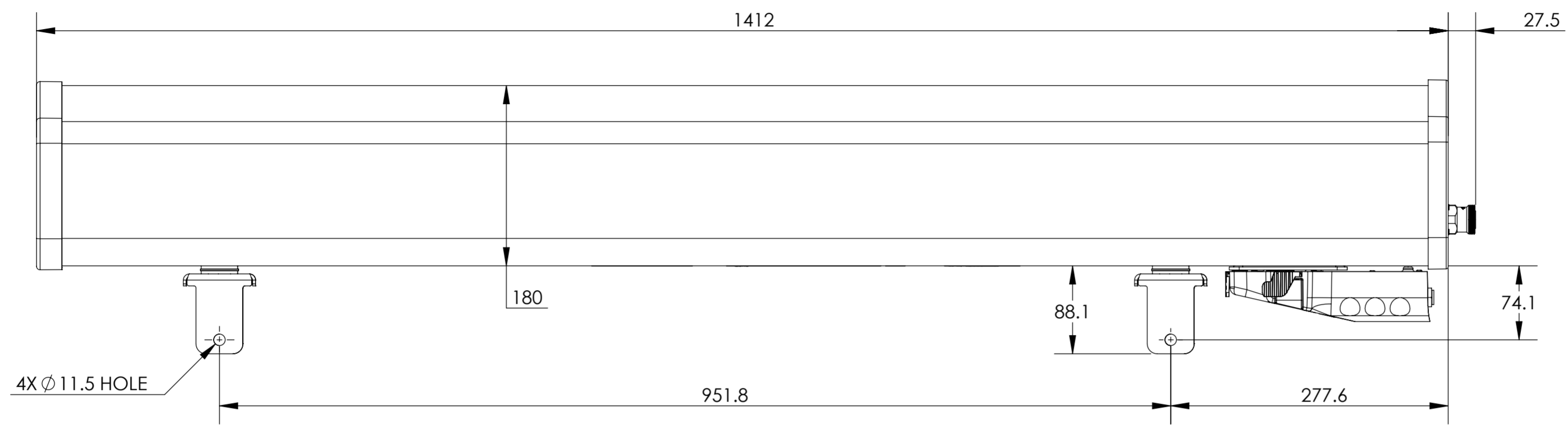


RV65A-2X2

© 2016 CommScope, Inc.

NOTICE: These drawings and specifications are the proprietary property of COMMSCOPE, INC. and may be used only for the specific purpose authorized in writing by COMMSCOPE, INC.

COMMSCOPE, INC. OF NORTH CAROLINA				
TITLE PRODUCT DRAWING				
SIZE A2	SCALE 1:4	DOCUMENT NO. RV65A-M-L		
DRAWING				SHEET
VERSION 02	STATUS RE	REVISION C	2 OF 3	



RV65A-1X2

COMMSCOPE, INC. OF NORTH CAROLINA				
TITLE PRODUCT DRAWING				
SIZE A2	SCALE 1:4	DOCUMENT NO. RV65A-M-L		
DRAWING				SHEET
VERSION 02	STATUS RE	REVISION C	3 OF 3	

© 2016 CommScope, Inc.