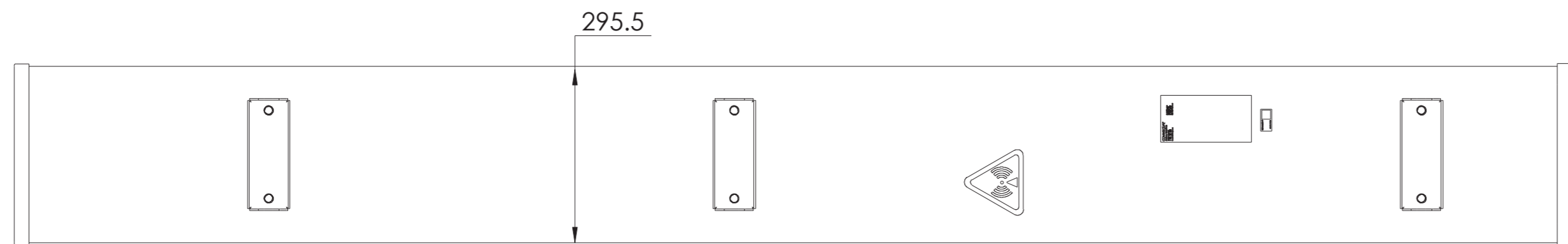
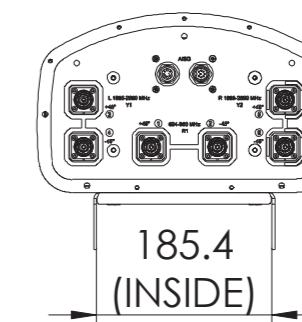
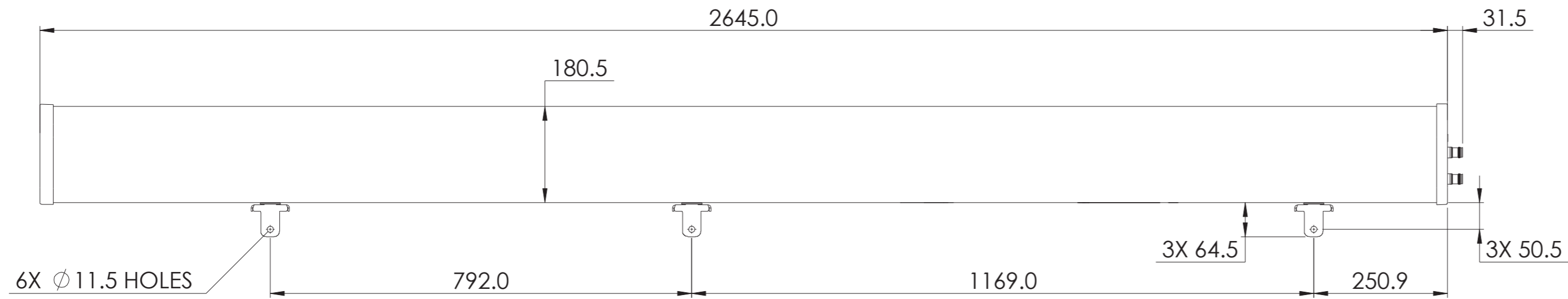


NOTES:

REVISIONS			
REV.	DESCRIPTION	DATE	APPROVED
A	ECR 8000007997: REL TO PRODUCTION PER EAO 602702.	17AUG15 NK	YCLI/WFW



RVV65D-C3-3XR

COMMSCOPE, INC. OF NORTH CAROLINA

TOLERANCES		SAP MATERIAL MASTER	
0 PLACE X ±	2 PLACE .XX ±		
1 PLACE .X ±	ANGLES ±		
FINISH		MATERIAL	
<small>UNLESS OTHERWISE SPECIFIED DIMENSIONS ARE IN MILLIMETERS INTERPRET PER ISO STANDARDS HANDBOOK TECHNICAL DRAWINGS VOLUMES 1 & 2, THIRD EDITION (2002)</small>		NAME	DATE
		CE NK	17AUG15
		RW XK1001	08/26/2015
		RV HOQIAN	08/27/2015
		AD FW1019	08/27/2015
RE LONEWSOM	08/27/2015	TITLE	
ECN 8000007997-O		PRODUCT DRAWING	
SIZE	WORK AREA	SCALE	DOCUMENT NO.
A2	23	1:8	RVV65D-C3-3XR-L
HEIGHT		DRAWING	
LENGTH		VERSION	STATUS
WIDTH		REVISION	REVISION
		00	RE
		A	A
		00	RE
		A	A
		SHEET	
		1 OF 1	