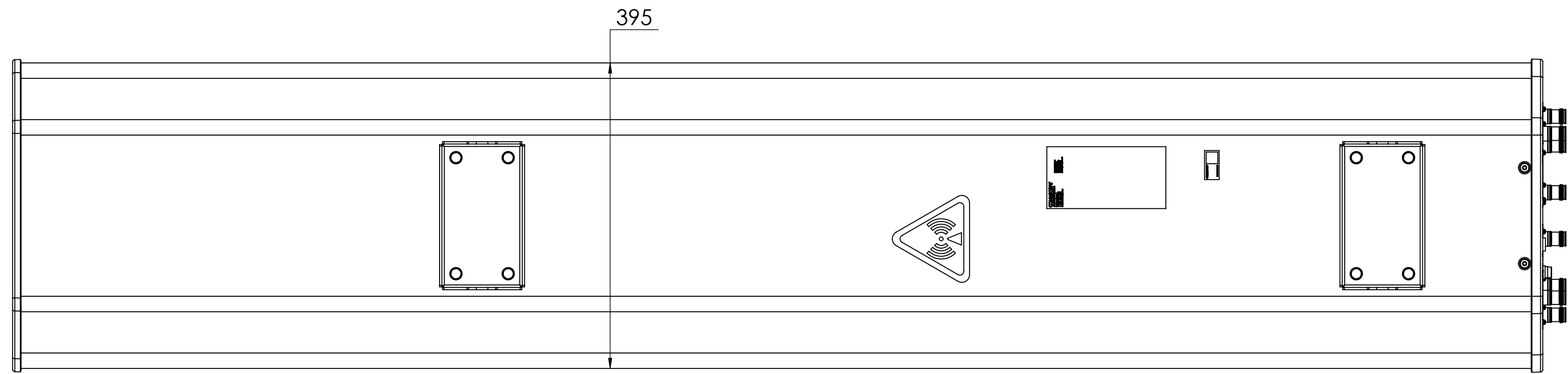
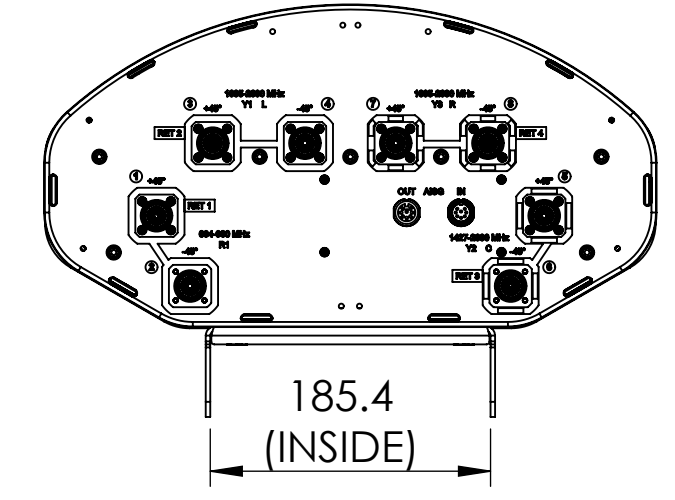
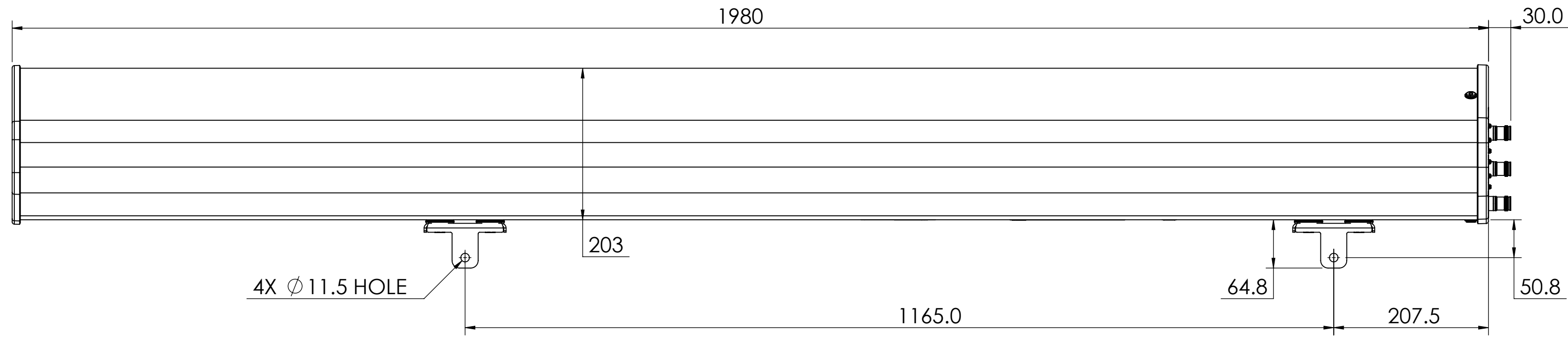


NOTES:

REVISIONS			
REV.	DESCRIPTION	DATE	APPROVED
A	ECR 8000021118: RELEASE TO PRODUCTION PER EAO 604120.	02SEP17 AD	ZY.LU/CCF
B	ECR 8000028004: UPDATE DRAWING WITH LATEST MODEL.	17JAN18 AD	ZY.LU/CCF



RZVV-65B-R4

COMMSCOPE, INC. OF NORTH CAROLINA

TOLERANCES		SAP MATERIAL MASTER					
0 PLACE X ±	2 PLACE .XX ±						
1 PLACE .X ±	ANGLES ±						
FINISH		MATERIAL					
<small>UNLESS OTHERWISE SPECIFIED DIMENSIONS ARE IN MILLIMETERS INTERPRET PER ISO STANDARDS HANDBOOK TECHNICAL DRAWINGS VOLUMES 1 & 2, THIRD EDITION (2002)</small>		NAME	DATE				
		CE AD1015	09/02/2017				
		RW AD1015	01/17/2018				
		RV ZL1023	01/17/2018				
		AD CC1044	01/18/2018				
RE BYUAN	01/18/2018	SCALE 1:5					
ECN 8000028004-O		DOCUMENT NO. RZVV-65B-R4-L					
SIZE	WORK AREA	23	MODEL				
A2		DRAWING					
		VERSION	STATUS	REVISION	VERSION	STATUS	REVISION
		01	RE	B	01	RE	B
HEIGHT		SHEET					
LENGTH		1 OF 1					
WIDTH							