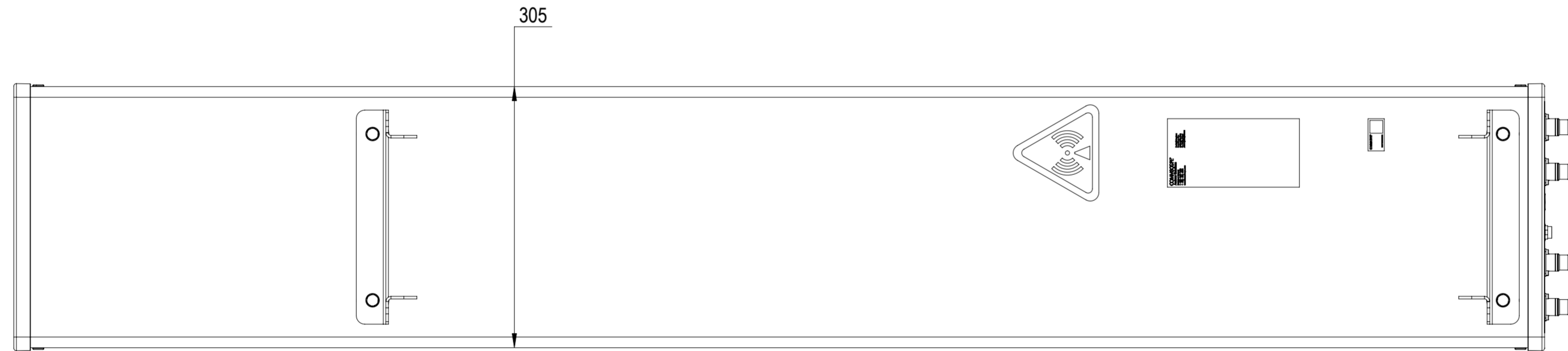
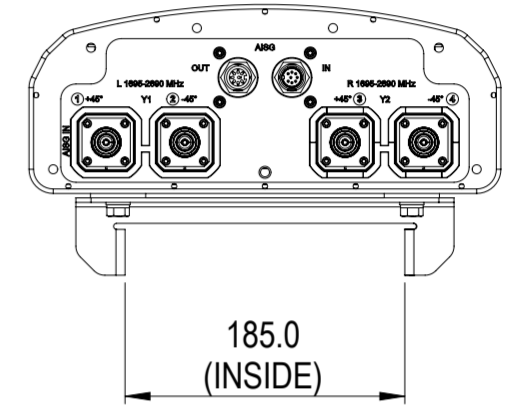
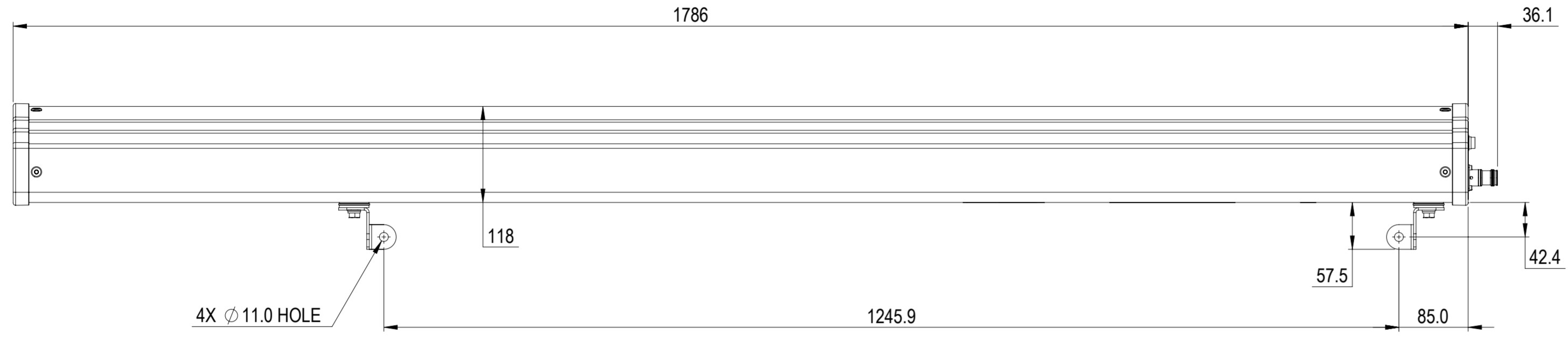


NOTES:

REVISIONS			
REV.	DESCRIPTION	DATE	APPROVED
A	ECR 8000025368: RELEASE TO PRODUCTION PER EAO 604520.	05AUG17 LS	S.LIU/JIHE



VV-65B-R1B-V2

COMMSCOPE, INC. OF NORTH CAROLINA

TOLERANCES		SAP MATERIAL MASTER	
0 PLACE X ±	2 PLACE .XX ±		
1 PLACE .X ±	ANGLES ±		
FINISH		MATERIAL	
<small>UNLESS OTHERWISE SPECIFIED DIMENSIONS ARE IN MILLIMETERS INTERPRET PER ISO STANDARDS HANDBOOK TECHNICAL DRAWINGS VOLUMES 1 & 2, THIRD EDITION (2002)</small>		NAME	DATE
		CE SL1039	05AUG17
		RW SL1039	08/06/2017
		RV CHALIU	08/14/2017
		AD JIHE	08/18/2017
RE BYUAN	08/18/2017	DOCUMENT NO. VV-65B-R1B-V2-L	
ECN 8000025368-O		SCALE 1:5	
SIZE A2	WORK AREA 23	MODEL	DRAWING
		VERSION 00	STATUS RE
		REVISION A	VERSION 00
			STATUS RE
			REVISION A
			SHEET 1 OF 1