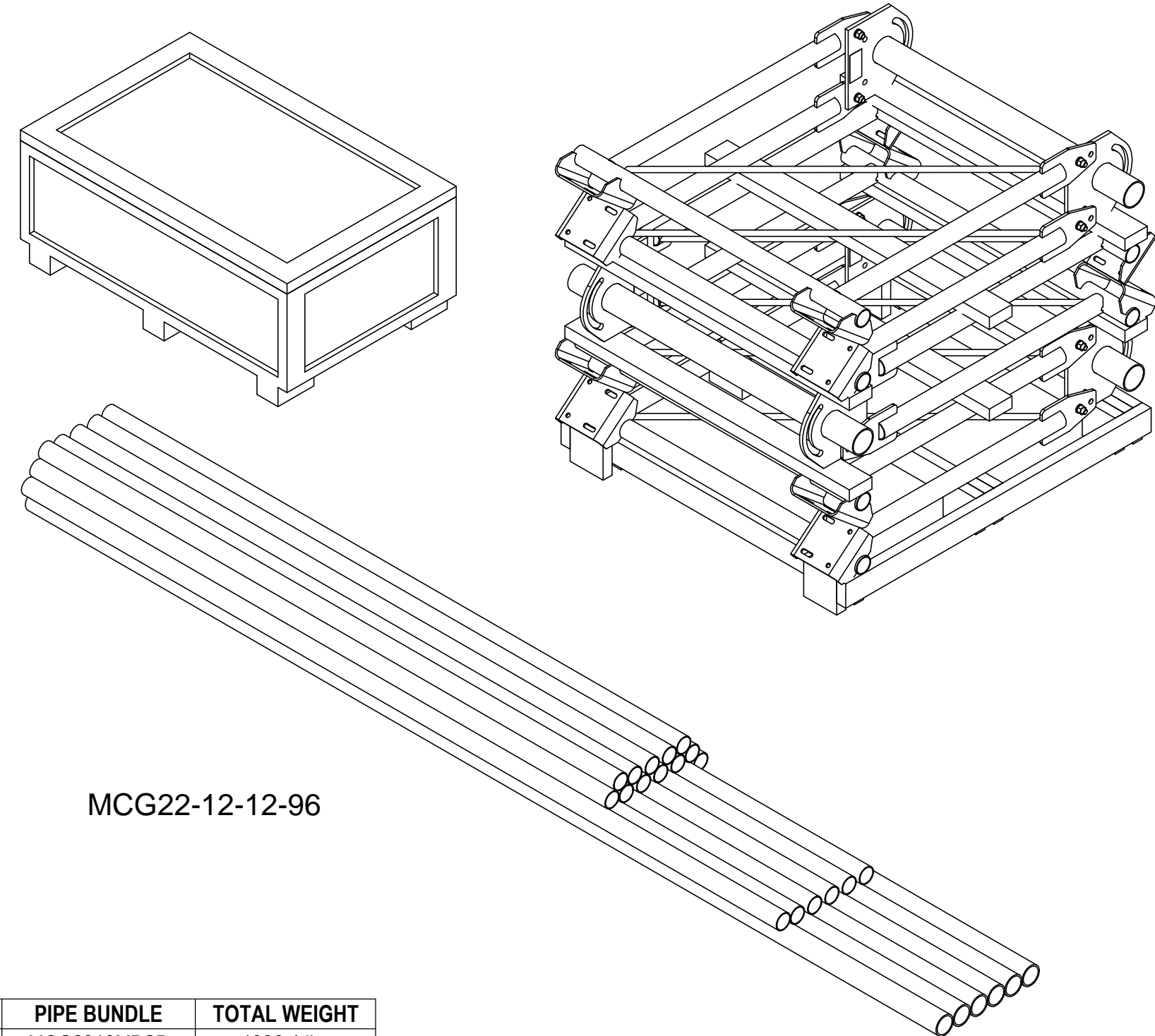


1.0 ALL METRIC DIMENSIONS ARE IN BRACKETS.
 2.0 FITS MONOPOLES 12"-50" OD.

REVISIONS				
REV.	ECN	DESCRIPTION	BY	DATE
A	8000015561	INITIAL RELEASE	DRR	08/08/16
B	8000016892	ADDED DIAGONAL MOUNTING & TIEBACK NOTES	RJC	10/25/2016
C	8000020765	CORRECT BOM HARDWARE	MSM	03/03/17

MOUNT MUST BE INSTALLED WITH DIAGONALS AS SHOWN



MCG22-12-12-96

PART NO.	DESCRIPTION	FRAME KIT	HARDWARE KIT	PIPE BUNDLE	TOTAL WEIGHT
MCG22-10M-B	MCG22 SECTOR FRAME KIT, 10' 8" FACE, ϕ 12"- ϕ 50" MONOPOLE MOUNT, NO ANTENNA PIPES	MCG22PK	MCG22HKB	MCG2310MBSB	1336.4 lbs
MCG22-10M-9-96	MCG22 SECTOR FRAME KIT, 10' 8" FACE, ϕ 12"- ϕ 50" MONOPOLE MOUNT, (3) 96" ANTENNA PIPES	MCG22PK	MCG22HK9	MCG2310M996SB	1617.6 lbs
MCG22-10M-9-126	MCG22 SECTOR FRAME KIT, 10' 8" FACE, ϕ 12"- ϕ 50" MONOPOLE MOUNT, (3) 126" ANTENNA PIPES	MCG22PK	MCG22HK9	MCG2310M9126SB	1684.6 lbs
MCG22-10M-12-96	MCG22 SECTOR FRAME KIT, 10' 8" FACE, ϕ 12"- ϕ 50" MONOPOLE MOUNT, (4) 96" ANTENNA PIPES	MCG22PK	MCG22HK12	MCG2310M1296SB	1711.3 lbs
MCG22-10M-12-126	MCG22 SECTOR FRAME KIT, 10' 8" FACE, ϕ 12"- ϕ 50" MONOPOLE MOUNT, (4) 126" ANTENNA PIPES	MCG22PK	MCG22HK12	MCG2310M12126SB	1800.7 lbs
MCG22-12M-B	MCG22 SECTOR FRAME KIT, 12' 8" FACE, ϕ 12"- ϕ 50" MONOPOLE MOUNT, NO ANTENNA PIPES	MCG22PK	MCG22HKB	MCG2312MBSB	1380.0 lbs
MCG22-12M-9-96	MCG22 SECTOR FRAME KIT, 12' 8" FACE, ϕ 12"- ϕ 50" MONOPOLE MOUNT, (3) 96" ANTENNA PIPES	MCG22PK	MCG22HK9	MCG2312M996SB	1661.2 lbs
MCG22-12M-9-126	MCG22 SECTOR FRAME KIT, 12' 8" FACE, ϕ 12"- ϕ 50" MONOPOLE MOUNT, (3) 126" ANTENNA PIPES	MCG22PK	MCG22HK9	MCG2312M9126SB	1728.3 lbs
MCG22-12M-12-96	MCG22 SECTOR FRAME KIT, 12' 8" FACE, ϕ 12"- ϕ 50" MONOPOLE MOUNT, (4) 96" ANTENNA PIPES	MCG22PK	MCG22HK12	MCG2312M1296SB	1754.9 lbs
MCG22-12M-12-126	MCG22 SECTOR FRAME KIT, 12' 8" FACE, ϕ 12"- ϕ 50" MONOPOLE MOUNT, (4) 126" ANTENNA PIPES	MCG22PK	MCG22HK12	MCG2312M12126SB	1844.3 lbs
MCG22-14M-B	MCG22 SECTOR FRAME KIT, 14' 8" FACE, ϕ 12"- ϕ 50" MONOPOLE MOUNT, NO ANTENNA PIPES	MCG22PK	MCG22HKB	MCG2314MBSB	1423.6 lbs
MCG22-14M-9-96	MCG22 SECTOR FRAME KIT, 14' 8" FACE, ϕ 12"- ϕ 50" MONOPOLE MOUNT, (3) 96" ANTENNA PIPES	MCG22PK	MCG22HK9	MCG2314M996SB	1704.8 lbs
MCG22-14M-9-126	MCG22 SECTOR FRAME KIT, 14' 8" FACE, ϕ 12"- ϕ 50" MONOPOLE MOUNT, (3) 126" ANTENNA PIPES	MCG22PK	MCG22HK9	MCG2314M9126SB	1771.9 lbs
MCG22-14M-12-96	MCG22 SECTOR FRAME KIT, 14' 8" FACE, ϕ 12"- ϕ 50" MONOPOLE MOUNT, (4) 96" ANTENNA PIPES	MCG22PK	MCG22HK12	MCG2314M1296SB	1798.5 lbs
MCG22-14M-12-126	MCG22 SECTOR FRAME KIT, 14' 8" FACE, ϕ 12"- ϕ 50" MONOPOLE MOUNT, (4) 126" ANTENNA PIPES	MCG22PK	MCG22HK12	MCG2314M12126SB	1887.9 lbs

DENSITY	0.10	lbs/in ³
MASS	510.23	lbs
VOLUME	5278.89	in ³
SURFACE AREA		in ²
HEIGHT		
LENGTH		
WIDTH		

COMMSCOPE, INC. OF NORTH CAROLINA

TOLERANCES		SAP MATERIAL MASTER	
0 PLACE X ± .25	2 PLACE .XX ± .06	MCG22 SERIES	
1 PLACE .X ± .12	ANGLES ± 2°		
FINISH		MATERIAL	
GALV A123		A36, A500	
UNLESS OTHERWISE SPECIFIED DIMENSIONS ARE IN MILLIMETERS INTERPRET PER ISO STANDARDS HANDBOOK TECHNICAL DRAWINGS VOLUMES 1 & 2, THIRD EDITION (2002)		NAME	DATE
		CE DRR	08/08/16
		RV	
		AD	
RE TP	08/08/16	TITLE	
ECN 8000015376		MCG22 SERIES DRAWING	
SIZE	WORK AREA	SCALE	DOCUMENT NO.
C		1:16	MCG22 SERIES
VERSION		DRAWING	
STATUS	REVISION	VERSION	STATUS
	C		
SHEET			1 OF 6

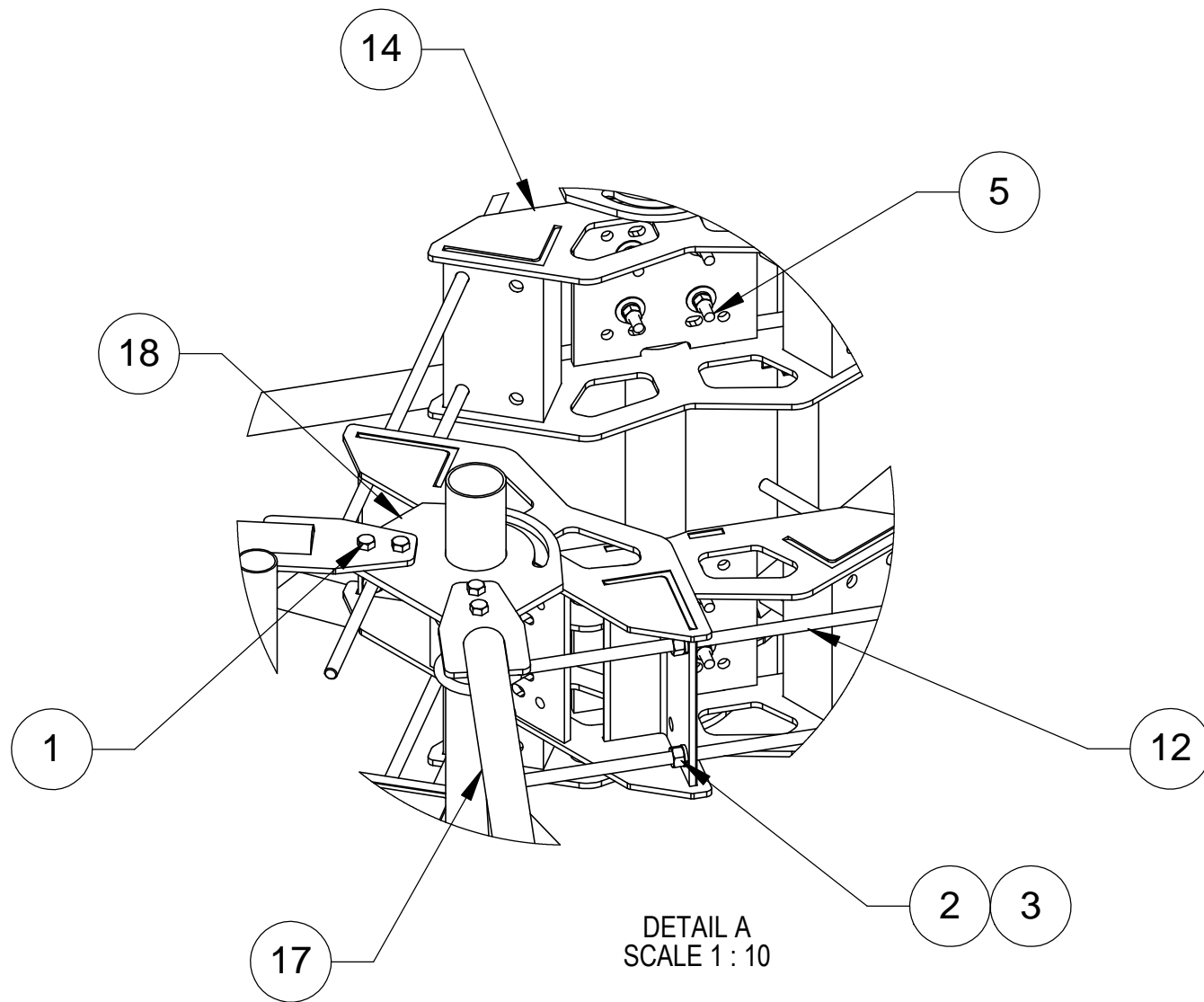
4

3

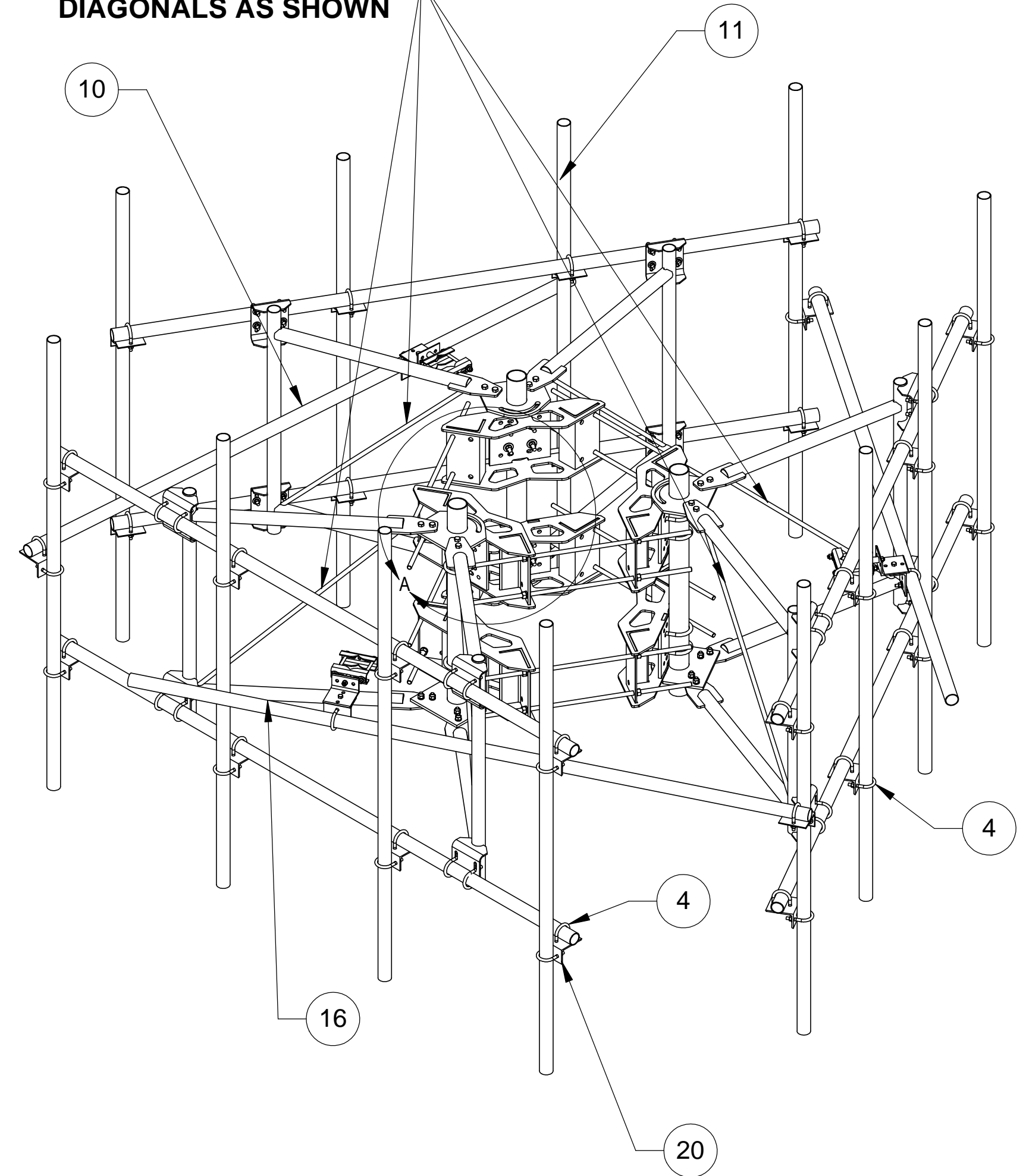
2

1

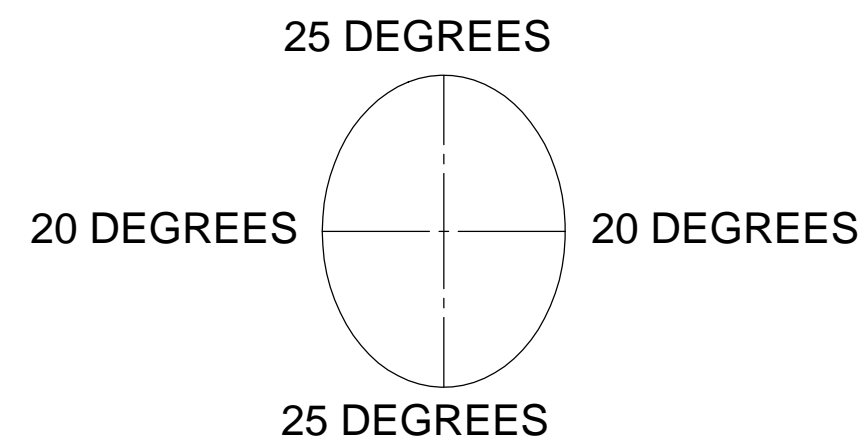
NOTES:



MUST BE INSTALLED WITH
DIAGONALS AS SHOWN



ALLOWABLE TIEBACK ANGLE
±25 DEGREES VERTICAL
±20 DEGREES HORIZONTAL



ITEM	PART NO.	DESCRIPTION	QTY.	WEIGHT	NOTE NO.
1	GB-0520A	5/8" X 2" GALV BOLT KIT (A325)	24	0.26 LBS	
2	GN-06	3/4" GALV HEX NUT	24	0.15 LBS	
3	GWL-06	3/4" GALV LOCK WASHER	24	0.04 LBS	
4	GUB-4240	1/2" X 2-1/2" X 4" GALV U-BOLT	81	0.56 LBS	
5	GUB-53560	5/8" X 3-5/8" X 6" GALV U-BOLT	12	1.28 LBS	
6	GWF-04	1/2" GALV FLAT WASHER	12	0.03 LBS	
7	GWL-04	1/2" GALV LOCK WASHER	12	0.01 LBS	
8	GN-04	1/2" GALV HEX NUT	12	0.04 LBS	
9	MT-379-8	1/2" X 8" GALV THREADED ROD	6	0.44 LBS	
10	MT-537	Ø 2.375" OD x 126" PIPE	3	30.45 LBS	
11	MT-651-96	Ø 2.375" OD x 96" PIPE	12	23.00 LBS	
12	MT38440	3/4" X 40" GALV THREADED ROD GRADE B7	12	4.98 LBS	
13	OS15034	3/4" X 1-1/2" OFFSET COLLAR	3	0.14 LBS	
14	RM1550301	15"-50" 3 SECTOR RM WLDMNT	6	66.20 LBS	
15	SAB01	FORMED CLAMP	6	1.35 LBS	
16	SFG2201	SECTOR FRAME ARM WLDMNT	3	52.49 LBS	
17	SFG2202	SECTOR FRAME ARM WLDMNT	3	52.49 LBS	
18	SFG2203	BACK VERTICAL ARM MOUNT	3	48.72 LBS	
19	SFG23126	128" SCH 40 PIPE 2-3/8" OD	6	38.76 LBS	
20	XA2020.01	CROSS OVER ANGLE	33	2.65 LBS	
21	GB-0414A	1/2" X 1-1/2" GALV BOLT KIT (A325)	3	0.13 LBS	
22	GB-0426A	1/2" X 2-3/4" GALV BOLT KIT (A325)	3	0.20 LBS	

COMMSCOPE, INC. OF NORTH CAROLINA				
TITLE MCG22 SERIES DRAWING				
SIZE C	SCALE 1:20	DOCUMENT NO. MCG22 SERIES		
DRAWING		VERSION	STATUS	REVISION
				C
				SHEET 2 OF 6

4

3

2

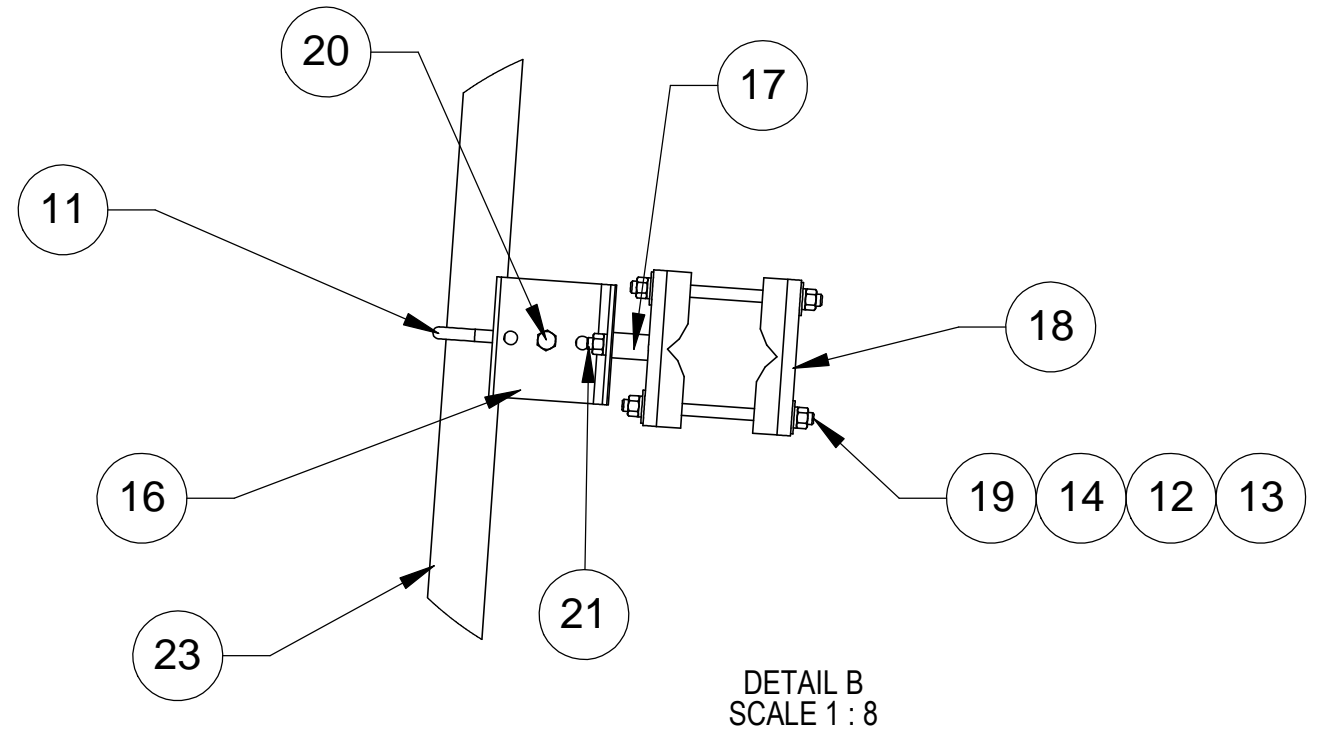
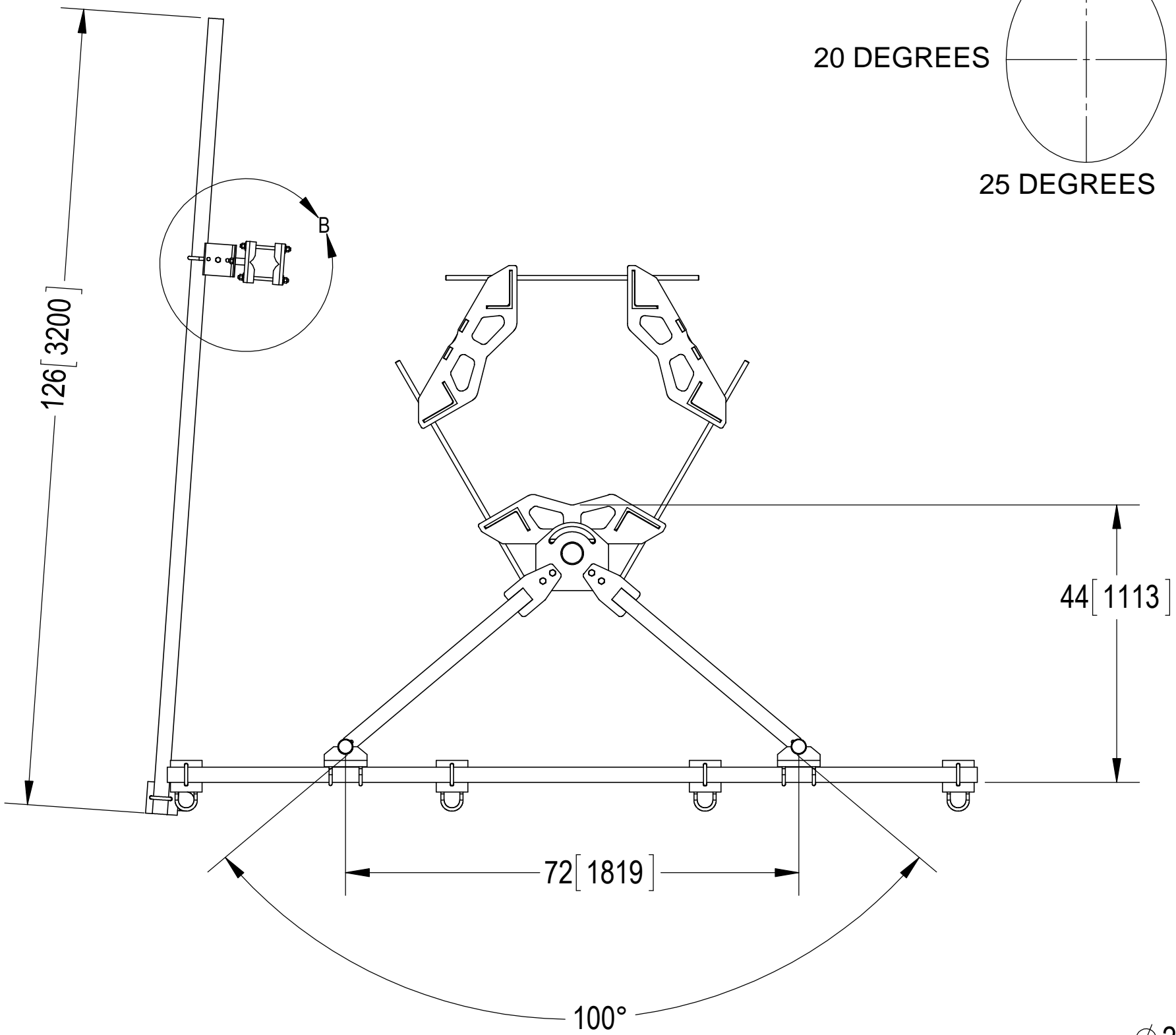
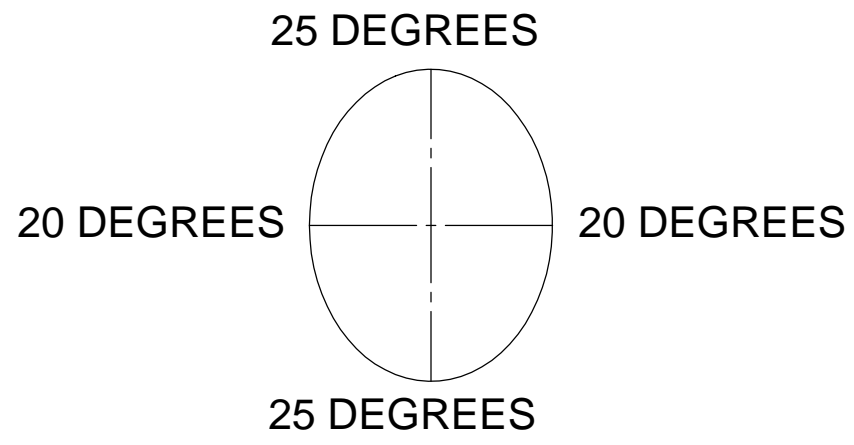
1

NOTES:

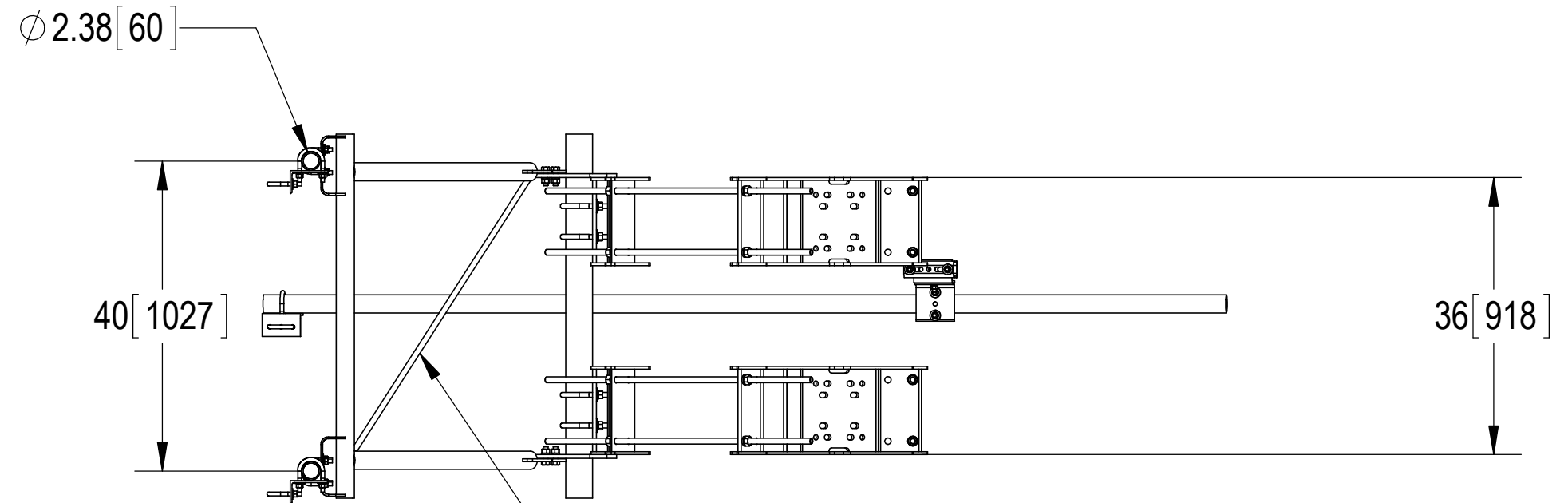
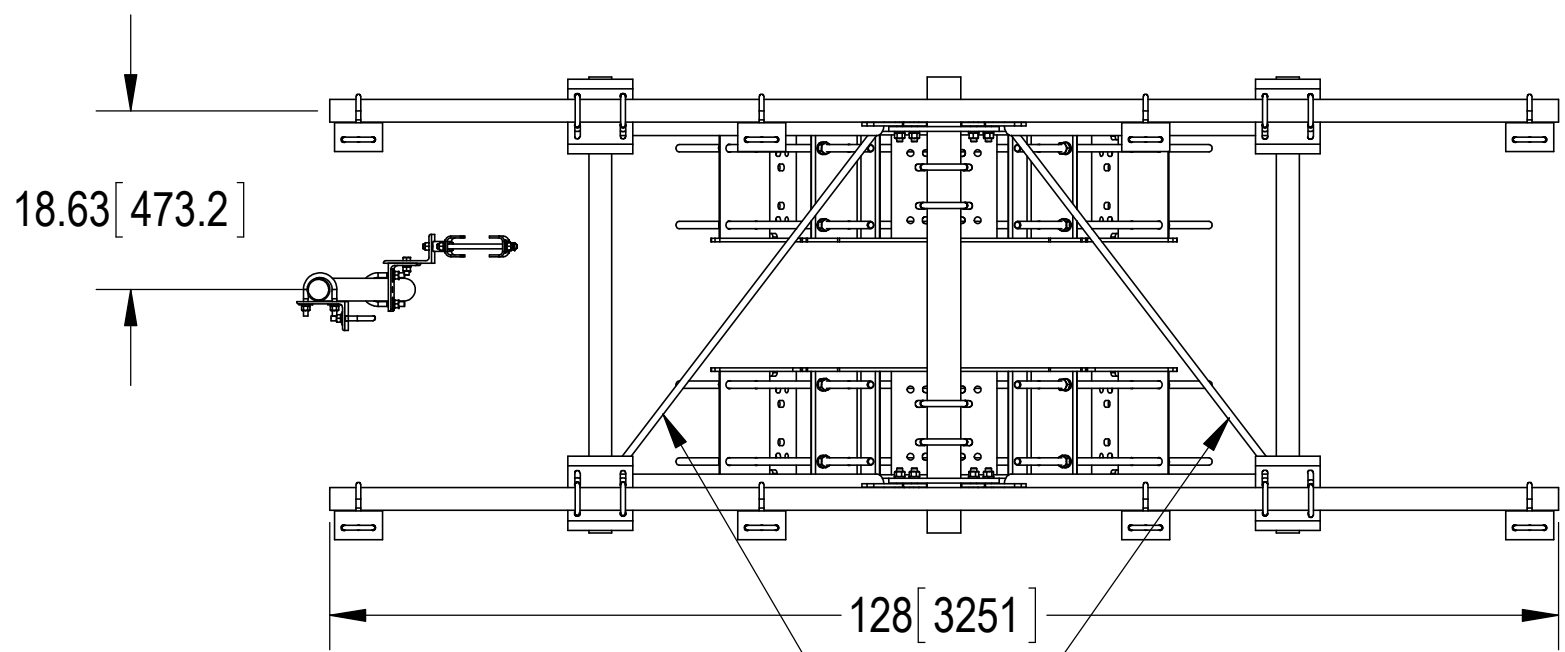
1.0 ALL METRIC DIMENSIONS ARE IN BRACKETS.

ALLOWABLE TIEBACK ANGLE

±25 DEGREES VERTICAL
±20 DEGREES HORIZONTAL



SOME ITEMS OMITTED FOR CLARITY



**MUST BE INSTALLED WITH
DIAGONALS AS SHOWN**

**MUST BE INSTALLED WITH
DIAGONALS AS SHOWN**

COMMSCOPE, INC. OF NORTH CAROLINA

TITLE
MCG22 SERIES DRAWING

SIZE C	SCALE 1:20	DOCUMENT NO. MCG22 SERIES
------------------	----------------------	-------------------------------------

DRAWING VERSION	STATUS	REVISION	SHEET 3 OF 6
		C	

© 2015 CommScope, Inc. Confidential

4

3

2

1

4

3

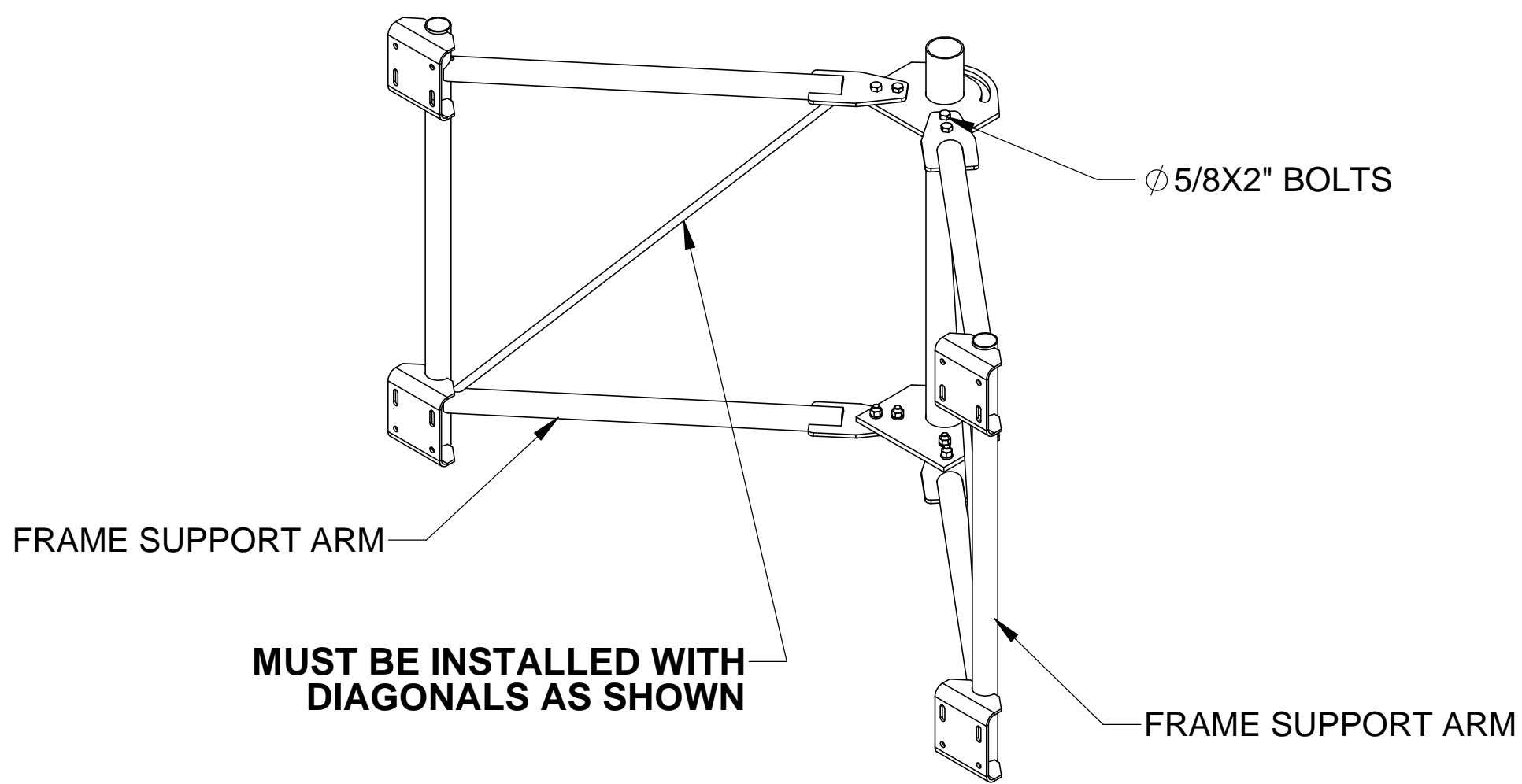
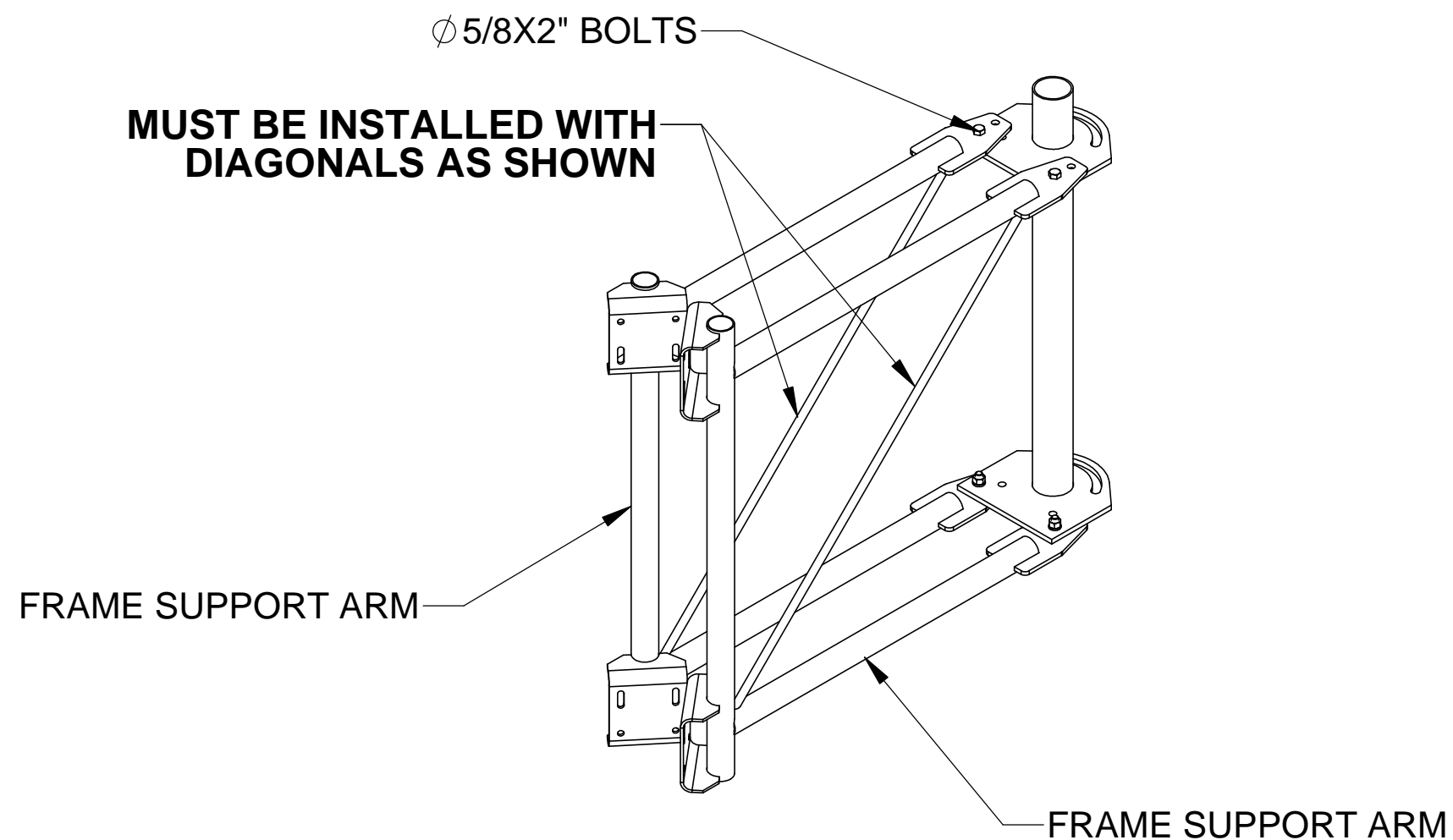
2

1

STEP 1: LOOSEN ϕ 5/8 HARDWARE TO OPEN FRAME SUPPORT ARMS.

STEP 2: OPEN FRAME SUPPORT ARMS AND INSTALL (4) ϕ 5/8 X 2" BOLTS.

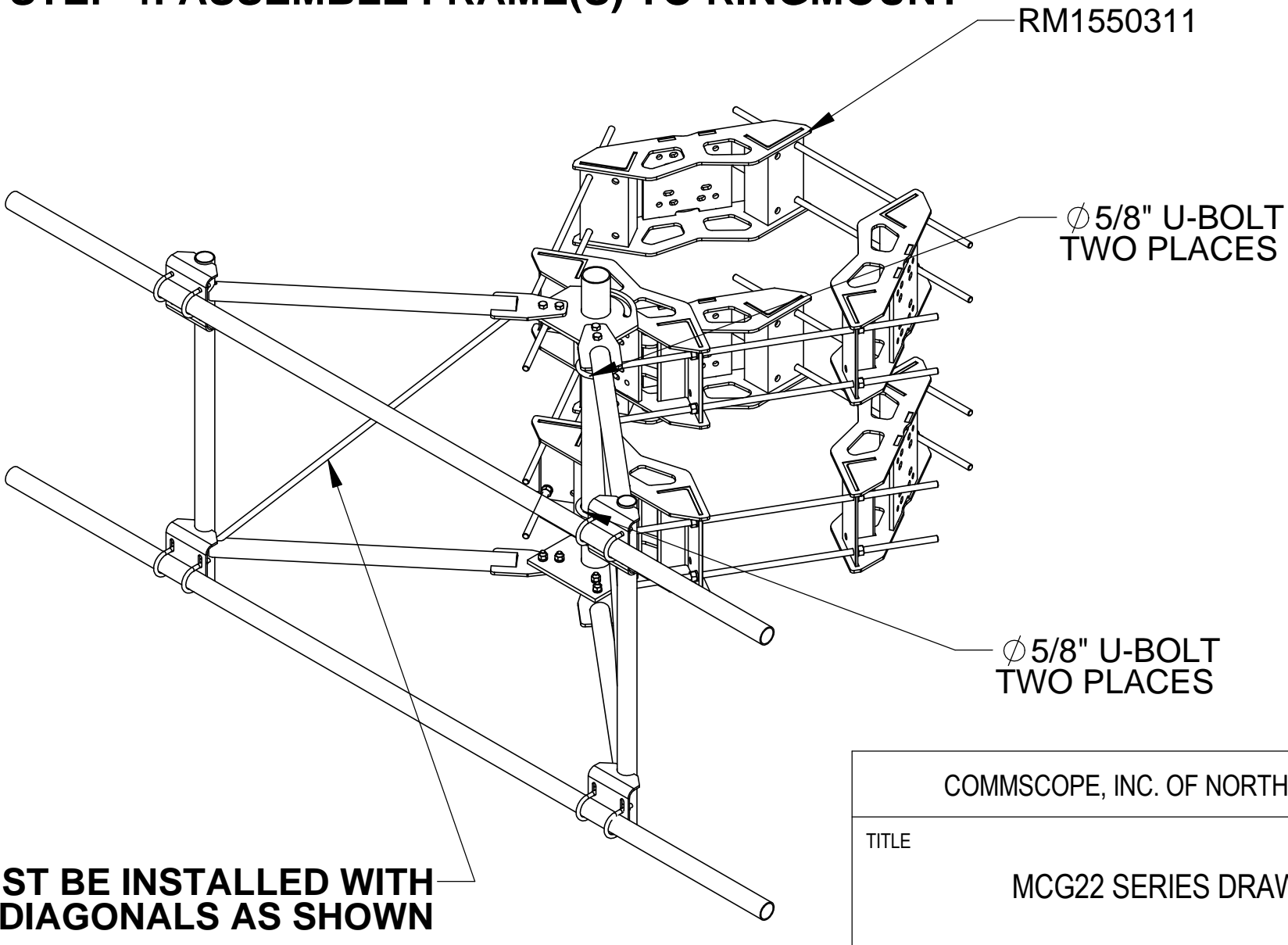
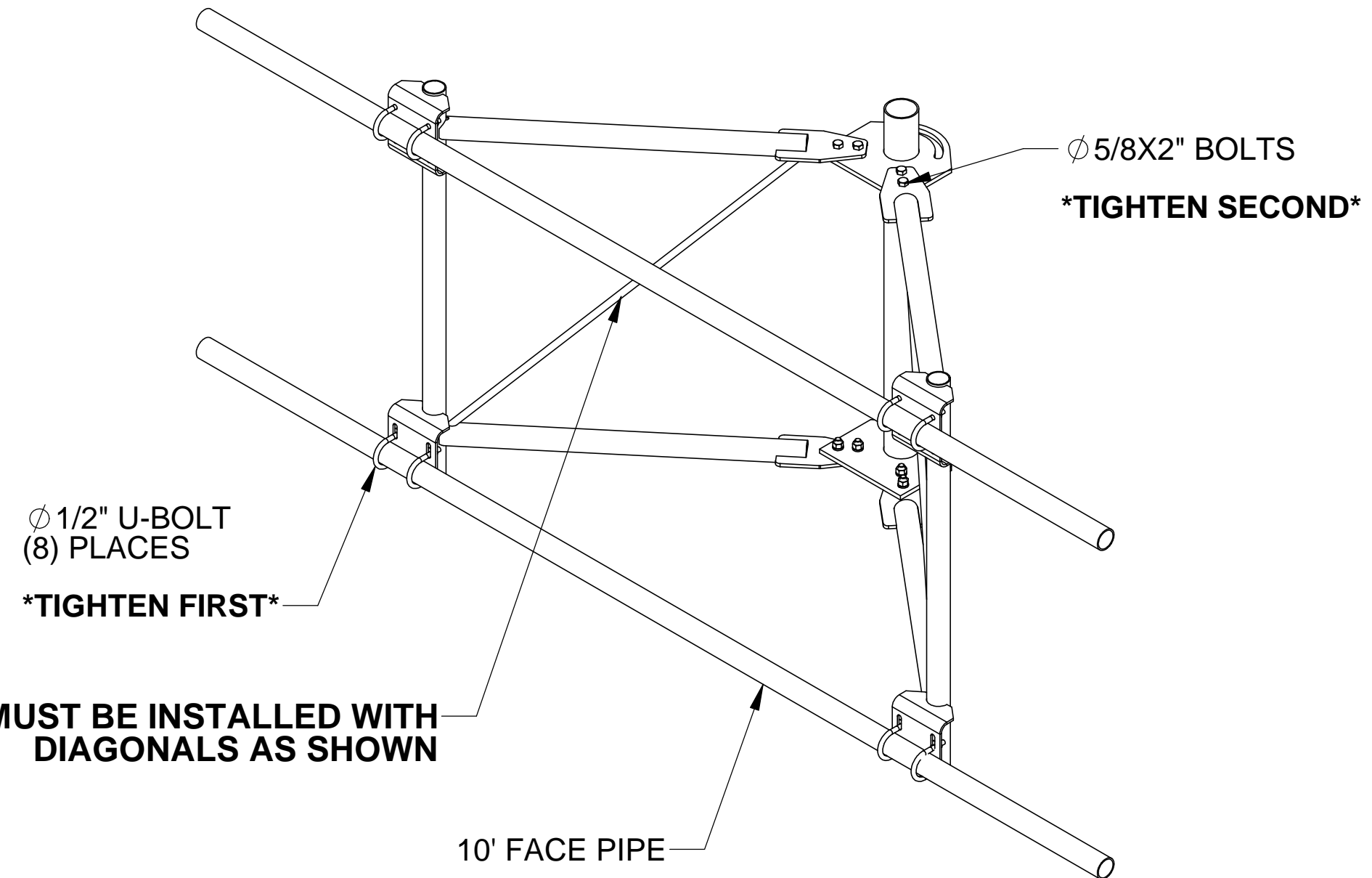
DO NOT TIGHTEN ϕ 5/8" BOLTS AT THIS TIME



STEP 3: INSTALL FACE PIPES AND ϕ 1/2" U-BOLTS

TIGHTEN U-BOLTS FIRST AND ϕ 5/8" BOLTS SECOND

STEP 4: ASSEMBLE FRAME(S) TO RINGMOUNT



COMMSCOPE, INC. OF NORTH CAROLINA				
TITLE MCG22 SERIES DRAWING				
SIZE C	SCALE 1:14	DOCUMENT NO. MCG22 SERIES		
		DRAWING		SHEET
		VERSION	STATUS	REVISION
				C
				4 OF 6

4

3

2

1

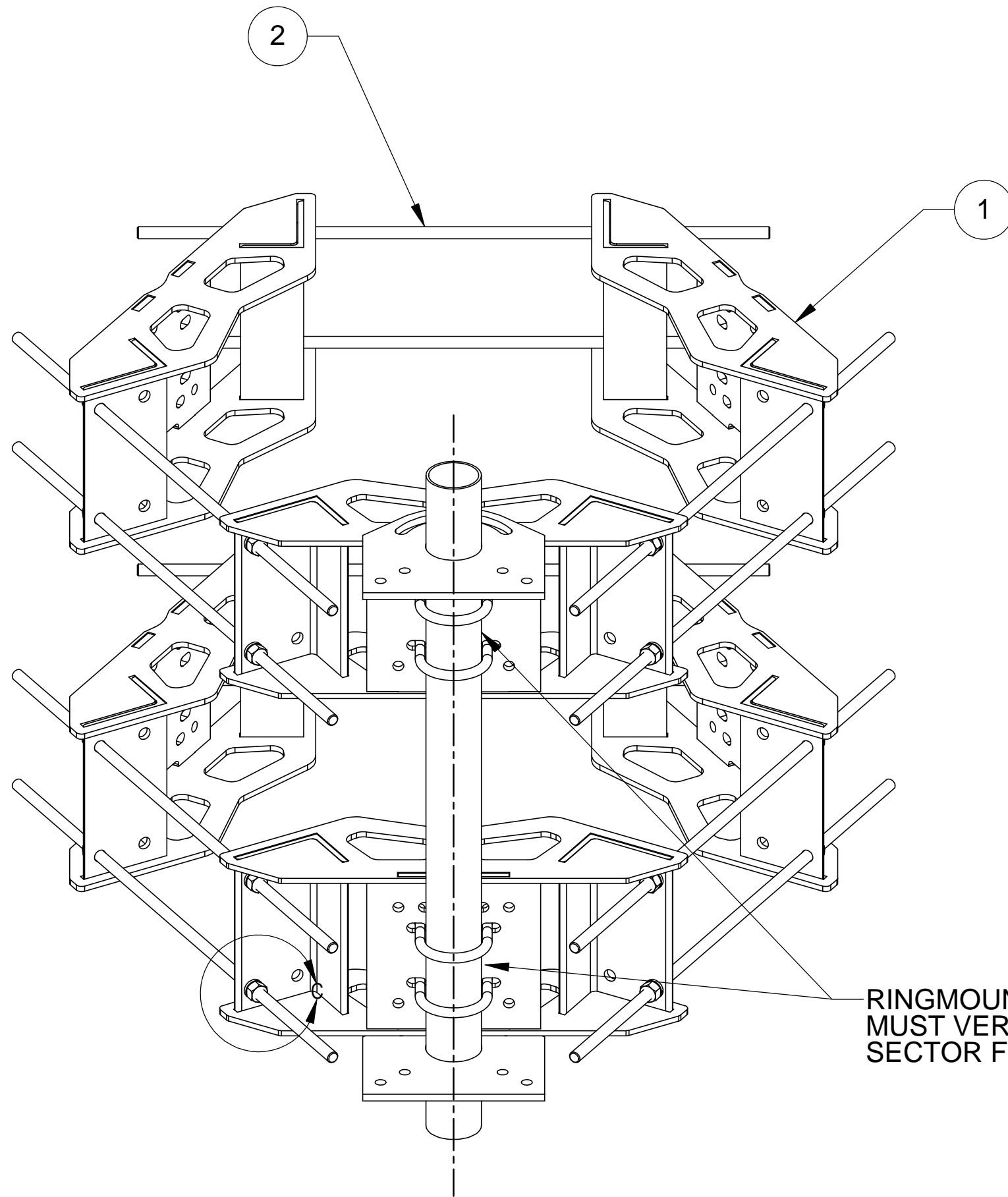
4

3

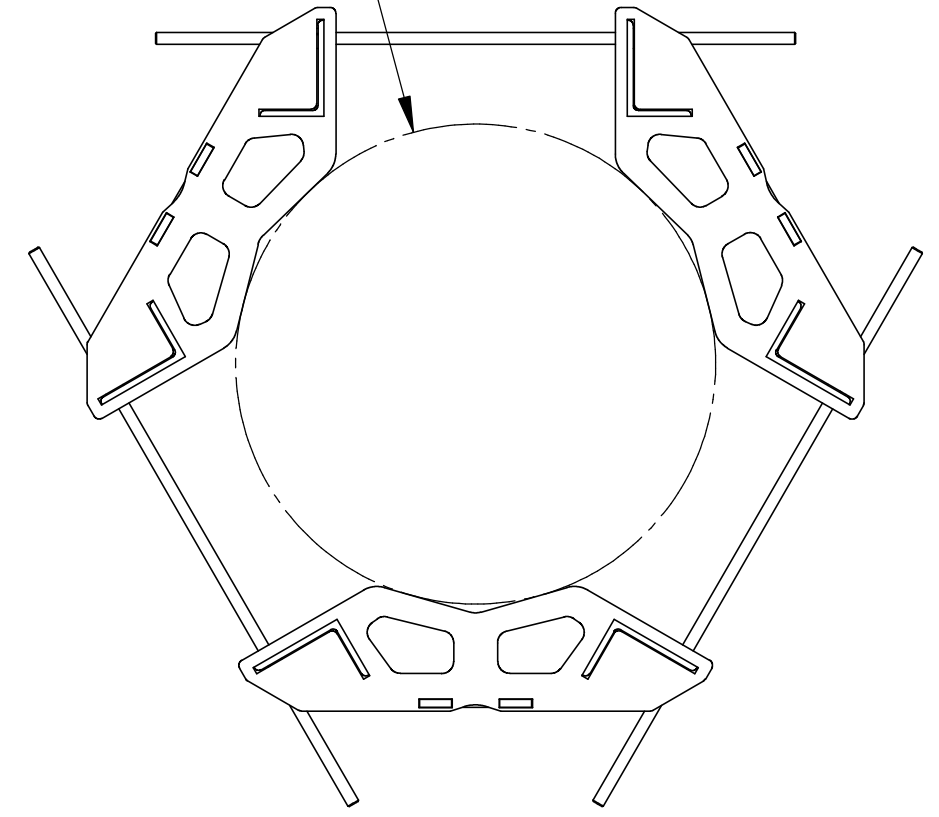
2

1

NOTES:

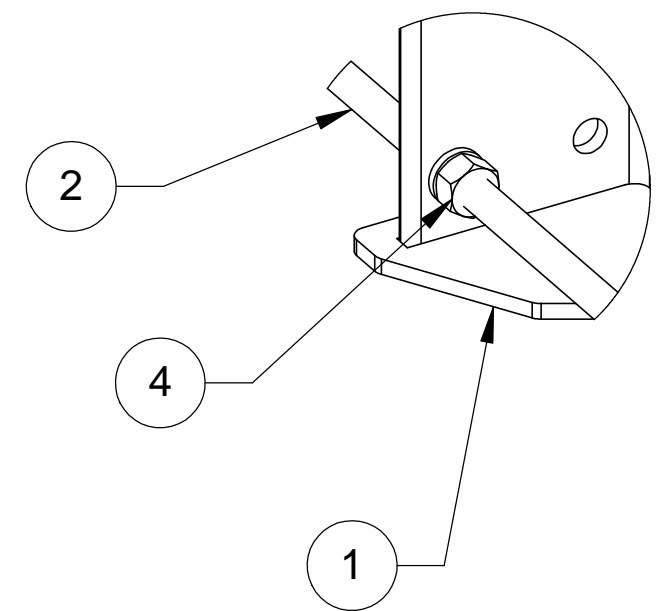


FITS MONOPOLES ϕ $\begin{matrix} 50 & 1270.00 \\ 15 & 381.00 \end{matrix}$



RINGMOUNT SECTOR CENTERLINE
MUST VERTICALLY ALIGN TO ALLOW
SECTOR FRAME SPINE PROPER MOUNTING

SOME ITEMS OMITTED FOR CLARITY



DETAIL C
SCALE 1 : 4

ITEM	PART NO.	DESCRIPTION	QTY.	WEIGHT	NOTE NO.
1	RM1550301	15"-50" 3 SECTOR RM WLDMNT	6	66.20 LBS	
2	MT38440	3/4" X 40" GALV THREADED ROD GRADE B7	12	4.98 LBS	
3	GWL-06	3/4" GALV LOCK WASHER	24	0.04 LBS	
4	GN-06	3/4" GALV HEX NUT	24	0.15 LBS	

COMMSCOPE, INC. OF NORTH CAROLINA				
TITLE MCG22 SERIES DRAWING				
SIZE C	SCALE 1:8	DOCUMENT NO. MCG22 SERIES		
DRAWING		VERSION	STATUS	REVISION
				C
				SHEET 5 OF 6

© 2015 CommScope, Inc. Confidential

4

3

2

1

D

D

C

C

B

B

A

A

4

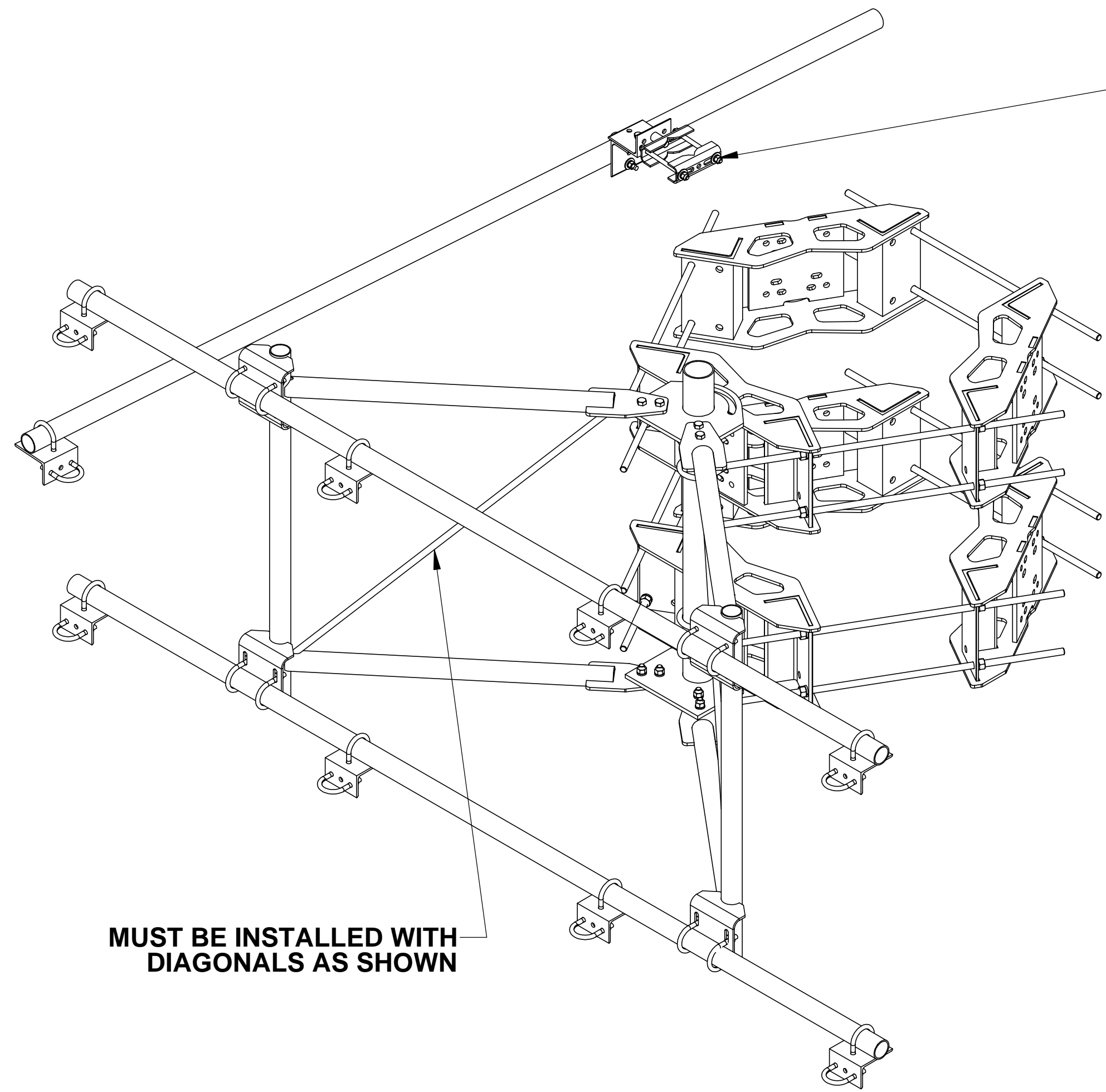
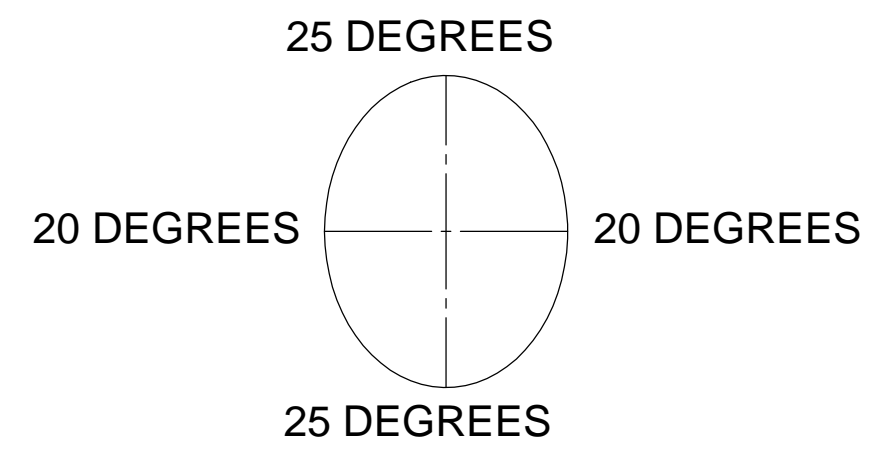
3

2

1

NOTES:

ALLOWABLE TIEBACK ANGLE
 ±25 DEGREES VERTICAL
 ±20 DEGREES HORIZONTAL



TIEBACK MUST BE CONNECTED TO A RIGID MEMBER THAT PROVIDES ADEQUATE SUPPORT WITHIN THE LIMITS NOTED IN THE TIEBACK ANGLE RANGE DETAIL, UNLESS APPROVED BY THE ENGINEER OF RECORD.

MUST BE INSTALLED WITH DIAGONALS AS SHOWN

COMMSCOPE, INC. OF NORTH CAROLINA				
TITLE MCG22 SERIES DRAWING				
SIZE C	SCALE 1:8	DOCUMENT NO. MCG22 SERIES		
DRAWING		VERSION	STATUS	REVISION C
				SHEET 6 OF 6

4

3

2

1