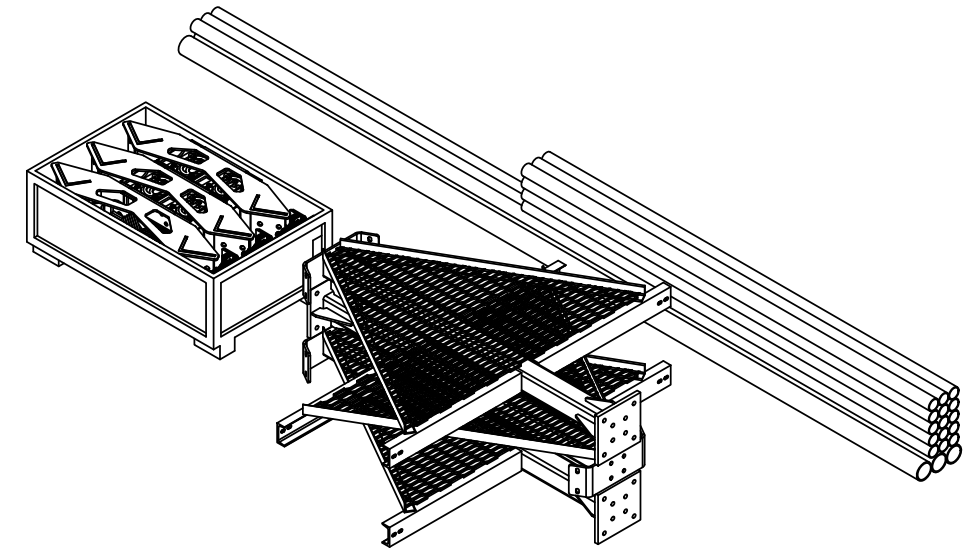


ITEM	PART NO.	DESCRIPTION	QTY.	WEIGHT	NOTE NO.
1	MCCP14LHK	HARDWARE KIT FOR MC-CP14L	1	583.32 LBS	
2	MTC360714LSB	STEEL BUNDLE MTC360714L	1	573.14 LBS	
3	SEE TABLE	PIPE KIT	1	-	1

REVISIONS				
REV.	ECN	DESCRIPTION	BY	DATE
A	8000007012	INITIAL RELEASE	MSM	03/23/15



MC-CP14L SERIES

PART NO.	DESCRIPTION	PIPE BUNDLE	TOTAL WEIGHT
MC-CP14L-B	LOAD ENHANCED CO-LOC. PLATFORM, 14'-6" FACE, 30-60	MCCP14BPB	1669.31 LBS
MC-CP14L-12-96	LOAD ENHANCED CO-LOC. PLATFORM, 14'-6" FACE, 30-60, (12) 96" PIPE	MTC3607LSB	2018.13 LBS
MC-CP14L-12-126	LOAD ENHANCED CO-LOC. PLATFORM, 14'-6" FACE, 30-60, (12) 126" PIPE	MCCP14126SB	2034.76 LBS

NOTES:

1. SEE TABLE
2. FITS MONOPOLES 30"–60" OD.
3. CUSTOMER ASSEMBLY SHEETS 2–5.

These drawings and specifications are the proprietary property of CommScope Inc. and may be used only for the specific purpose authorized in writing by CommScope Inc.

ALL DIMENSIONS ARE IN INCHES U.O.S.
TOLERANCES UNLESS OTHERWISE SPECIFIED:
.X = ± .12 ANGLES ±2°
.XX = ± .06 FRACTIONS ±1/32
.XXX = ± .03

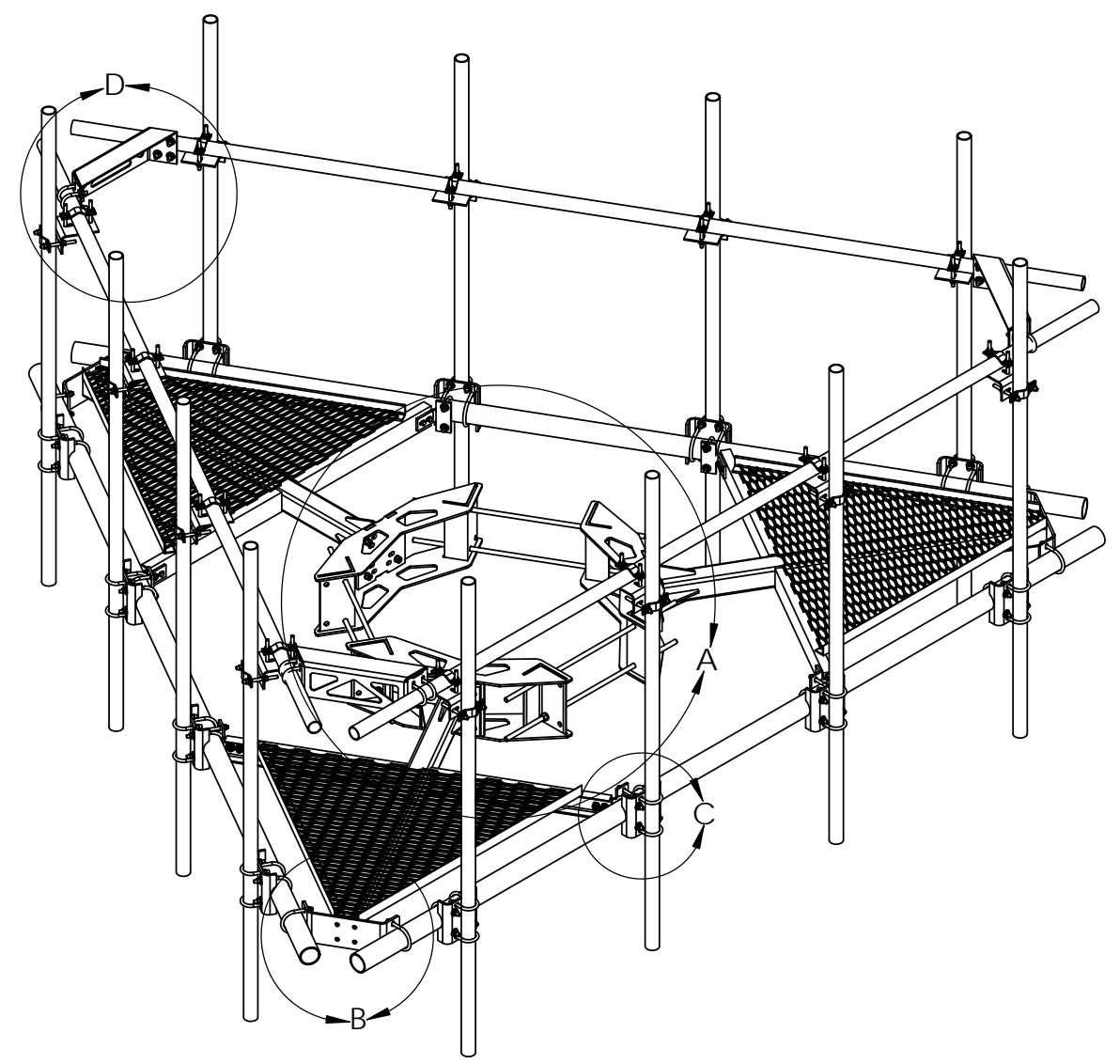
REMOVE BURRS AND BREAK EDGES .005

DO NOT SCALE THIS PRINT

DRAWN BY: MSM	SHEET: 1 of 5	PART NUMBER: MC-CP14L SERIES
CHECKED BY: TP	SCALE: NTS	DESCRIPTION: LOAD ENHANCED CO-LOC PLATFORM, 14'-6" FACE, 30-60, (12) 96" PIPE
DATE: 02/06/15	MATERIAL: A36, A500, A568	DRAWING TYPE: ASSEMBLY DRAWING
REVISION: A	FINISH: GALV A123	 Hickory, NC 28602 U.S.A.
	WEIGHT: SEE TABLE	

ITEM	PART NO.	DESCRIPTION	QTY.	WEIGHT	NOTE NO.
1	MT38440	3/4" X 40" GALV THREADED ROD GRADE B7	6	4.98 LBS	
2	GWL-06	3/4" GALV LOCK WASHER	12	0.04 LBS	
3	GN-06	3/4" GALV HEX NUT	12	0.12 LBS	
4	MTC360701	LOW PROFILE PLATFORM WLDMNT 30-60 RM	3	191.05 LBS	
5	MT19525	Corner Weldment	3	14.61 LBS	
6	ACP10	1.5" - 3.5" O.D. CLAMP HALF	24	0.61 LBS	
7	XAU01	Angle BRK	12	3.59 LBS	
8	GB-0522A	5/8" X 2-1/4" GALV. BOLT KIT (A325)	12	0.30 LBS	
9	GUB-4355	1/2" X 3-5/8" X 5" GALV U-BOLT	12	0.71 LBS	
10	GB-04145	1/2" X 1-1/2" GALV BOLT KIT	12	0.13 LBS	
11	GUB-4240	1/2" X 2-1/2" X 4" GALV U-BOLT	36	0.56 LBS	
12	GUB-4356	1/2" X 3-5/8" X 6" GALV U-BOLT	24	0.82 LBS	
13	MT-379-6	1/2" X 6" GALV THREADED ROD	48	0.33 LBS	
14	GWF-04	1/2" GALV FLAT WASHER	108	0.03 LBS	
15	GWL-04	1/2" GALV LOCK WASHER	96	0.01 LBS	
16	GN-04	1/2" GALV HEX NUT	96	0.04 LBS	
17	MT-547-174	3.5" O.D. X 174" PIPE	3	109.27 LBS	
18	MT537174	Ø 2.375" OD x 174" PIPE	3	52.69 LBS	
19	SEE TABLE	Ø 2.375" OD X 96" PIPE	12	29.07 LBS	1
20	MT19617	MT196 Pipe Mount Plate	6	2.49 LBS	
21	GWF-05	5/8" GALV FLAT WASHER	12	0.06 LBS	
22	MT21701	PIPE MOUNT PLATE	12	7.93 LBS	
23	RM3060305	30-60 3 SECTOR RM WLDMNT	3	76.77 LBS	


**MC-CP14L-12-96
SHOWN**

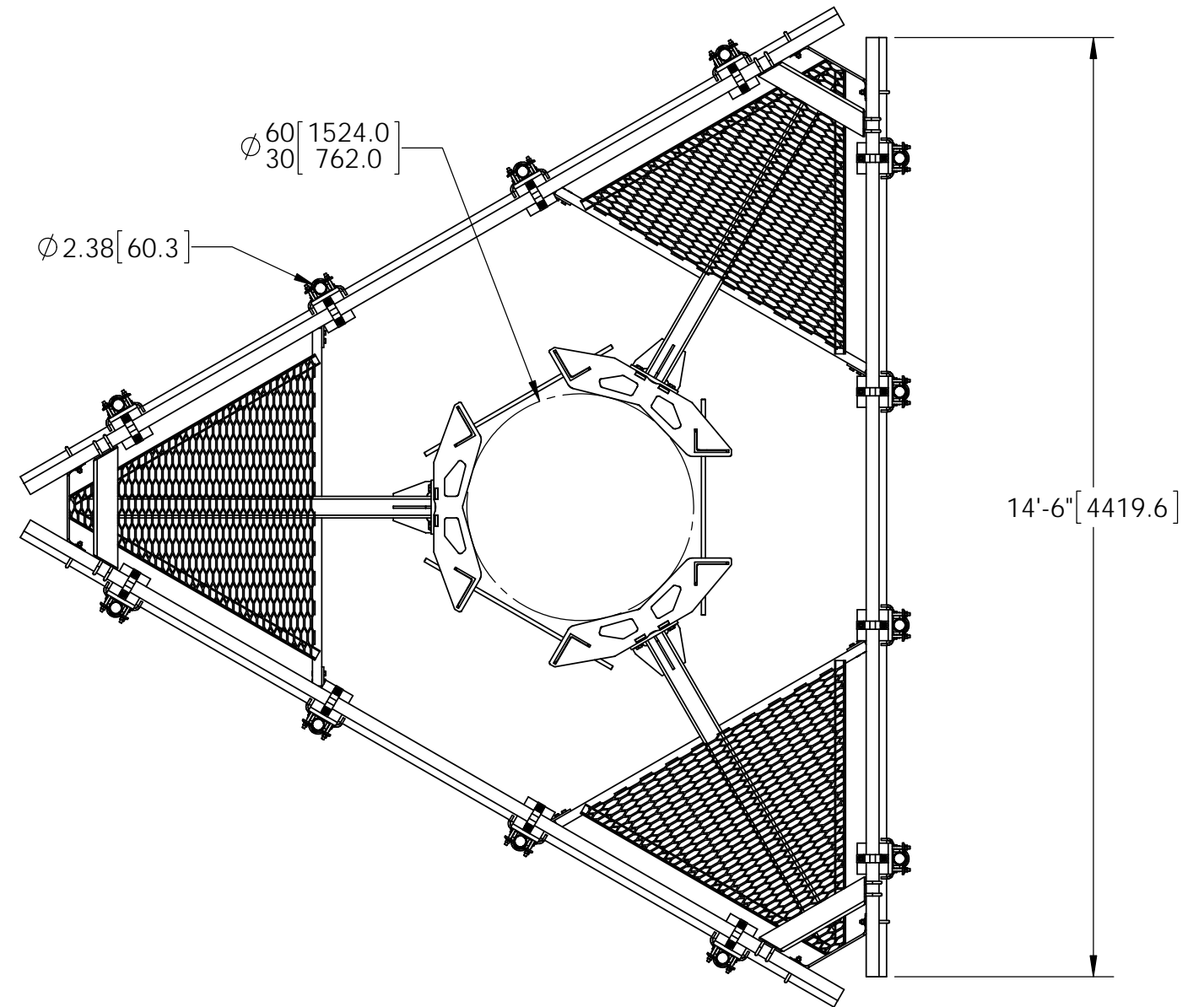
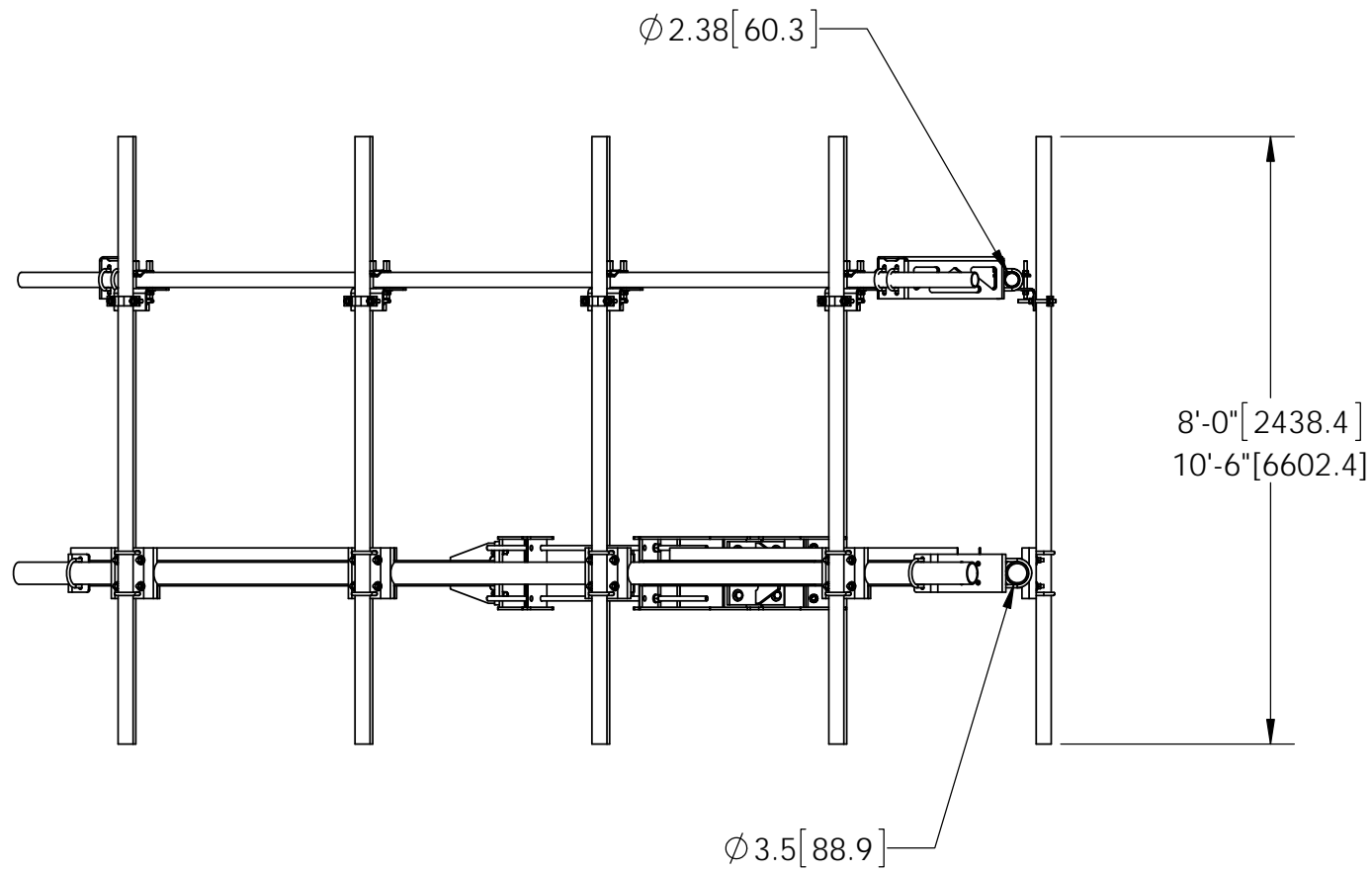


MC-CP14L SERIES ANTENNA PIPE

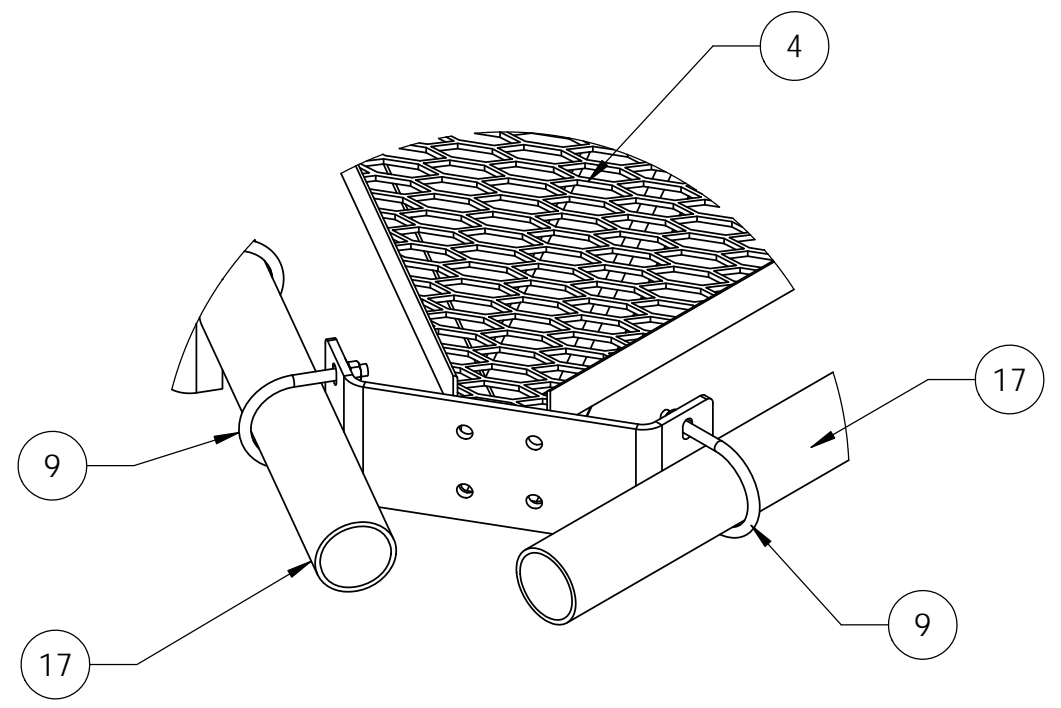
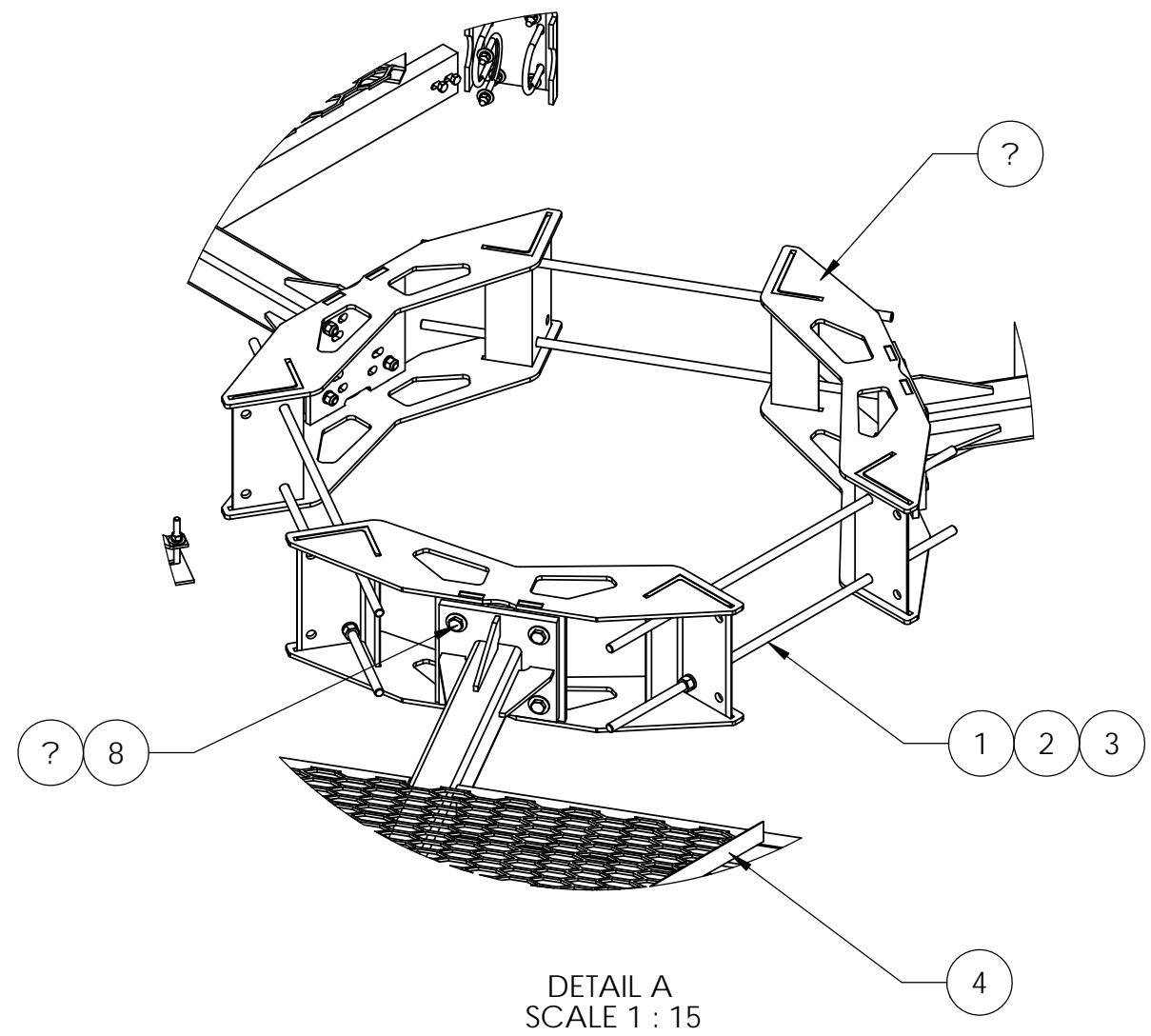
PART NO.	QTY.	ANTENNA PIPE	DESCRIPTION
MC-CP14L-B	0	NONE	
MC-CP14L-12-96	12	MT-651-96	PIPE 2-3/8" OD X 96"
MC-CP14L-12-126	12	MT-651-126	PIPE 2-3/8" OD X 126"

- NOTES:
1. SEE TABLE.
2. FITS MONOPOLES 30"-60" OD.

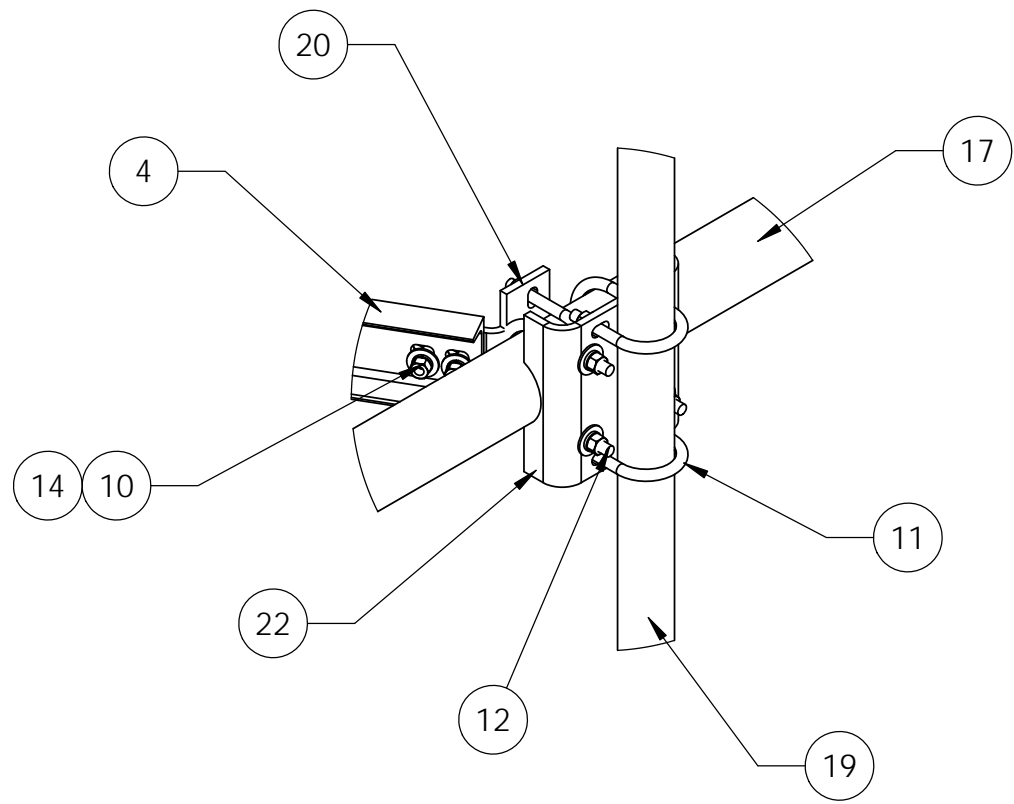
<small>These drawings and specifications are the proprietary property of CommScope Inc. and may be used only for the specific purpose authorized in writing by CommScope Inc.</small> ALL DIMENSIONS ARE IN INCHES U.O.S. TOLERANCES UNLESS OTHERWISE SPECIFIED: .X = ± .12 ANGLES ±2° .XX = ± .06 FRACTIONS ±1/32 .XXX = ± .03 REMOVE BURRS AND BREAK EDGES .005 DO NOT SCALE THIS PRINT	DRAWN BY: MSM	SHEET: 2 of 5	PART NUMBER: MC-CP14L SERIES
	CHECKED BY: TP	SCALE: NTS	DESCRIPTION: LOAD ENHANCED CO-LOC. PLATFORM, 14'-6" FACE, 30-60, (12) 96" PIPE
	DATE: 02/06/15	MATERIAL: A36, A500, A529	DRAWING TYPE: ASSEMBLY DRAWING
	REVISION: A	FINISH: Galv A123	 Hickory, NC 28602 U.S.A.
	WEIGHT: SEE TABLE		



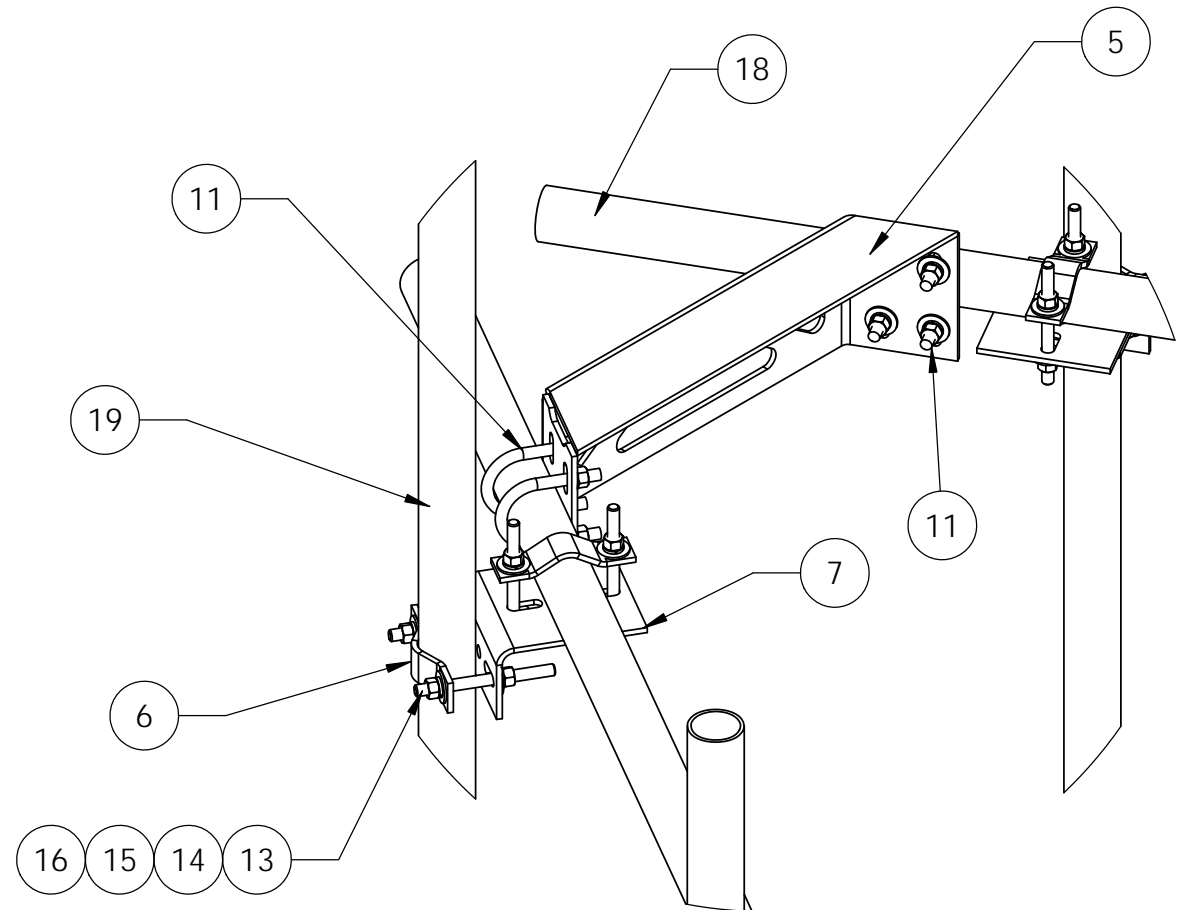
These drawings and specifications are the proprietary property of CommScope Inc. and may be used only for the specific purpose authorized in writing by CommScope Inc. ALL DIMENSIONS ARE IN INCHES U.O.S. TOLERANCES UNLESS OTHERWISE SPECIFIED: .X = ± .12 ANGLES ±2° .XX = ± .06 FRACTIONS ±1/32 .XXX = ± .03 REMOVE BURRS AND BREAK EDGES .005 DO NOT SCALE THIS PRINT	DRAWN BY: MSM	SHEET: 3 of 5	PART NUMBER: MC-CP14L SERIES
	CHECKED BY: TP	SCALE: NTS	DESCRIPTION: LOAD ENHANCED CO-LOC. PLATFORM, 14'-6" FACE, 30-60, (12) 96" PIPE
	DATE: 02/06/15	MATERIAL: A36, A500, A529	DRAWING TYPE: ASSEMBLY DRAWING
	REVISION: A	FINISH: Galv A123 WEIGHT: SEE TABLE	 Hickory, NC 28602 U.S.A.



<p>These drawings and specifications are the proprietary property of CommScope Inc. and may be used only for the specific purpose authorized in writing by CommScope Inc.</p> <p>ALL DIMENSIONS ARE IN INCHES U.O.S. TOLERANCES UNLESS OTHERWISE SPECIFIED: .X = ± .12 ANGLES ±2° .XX = ± .06 FRACTIONS ±1/32 .XXX = ± .03</p> <p>REMOVE BURRS AND BREAK EDGES .005</p> <p>DO NOT SCALE THIS PRINT</p>	<p>DRAWN BY: MSM</p>	<p>SHEET: 4 of 5</p>	<p>PART NUMBER: MC-CP14L SERIES</p>
	<p>CHECKED BY: TP</p>	<p>SCALE: NTS</p>	<p>DESCRIPTION: LOAD ENHANCED CO-LOC. PLATFORM, 14'-6" FACE, 30-60, (12) 96" PIPE</p>
	<p>DATE: 02/06/15</p>	<p>MATERIAL: A36, A500, A529</p>	<p>DRAWING TYPE: ASSEMBLY DRAWING</p>
	<p>REVISION: A</p>	<p>FINISH: Galv A123</p> <p>WEIGHT: SEE TABLE</p>	<p>COMMSCOPE® Hickory, NC 28602 U.S.A.</p>



DETAIL C
SCALE 1 : 8



DETAIL D
SCALE 1 : 8

<p>These drawings and specifications are the proprietary property of CommScope Inc. and may be used only for the specific purpose authorized in writing by CommScope Inc.</p> <p>ALL DIMENSIONS ARE IN INCHES U.O.S. TOLERANCES UNLESS OTHERWISE SPECIFIED: .X = ± .12 ANGLES ±2° .XX = ± .06 FRACTIONS ±1/32 .XXX = ± .03</p> <p>REMOVE BURRS AND BREAK EDGES .005</p> <p>DO NOT SCALE THIS PRINT</p>	<p>DRAWN BY: MSM</p>	<p>SHEET: 5 of 5</p>	<p>PART NUMBER: MC-CP14L SERIES</p>
	<p>CHECKED BY: TP</p>	<p>SCALE: NTS</p>	<p>DESCRIPTION: LOAD ENHANCED CO-LOC. PLATFORM, 14'-6" FACE, 30-60, (12) 96" PIPE</p>
	<p>DATE: 02/06/15</p>	<p>MATERIAL: A36, A500, A529</p>	<p>DRAWING TYPE: ASSEMBLY DRAWING</p>
	<p>REVISION: A</p>	<p>FINISH: Galv A123</p> <p>WEIGHT: SEE TABLE</p>	<p>COMMSCOPE® Hickory, NC 28602 U.S.A.</p>