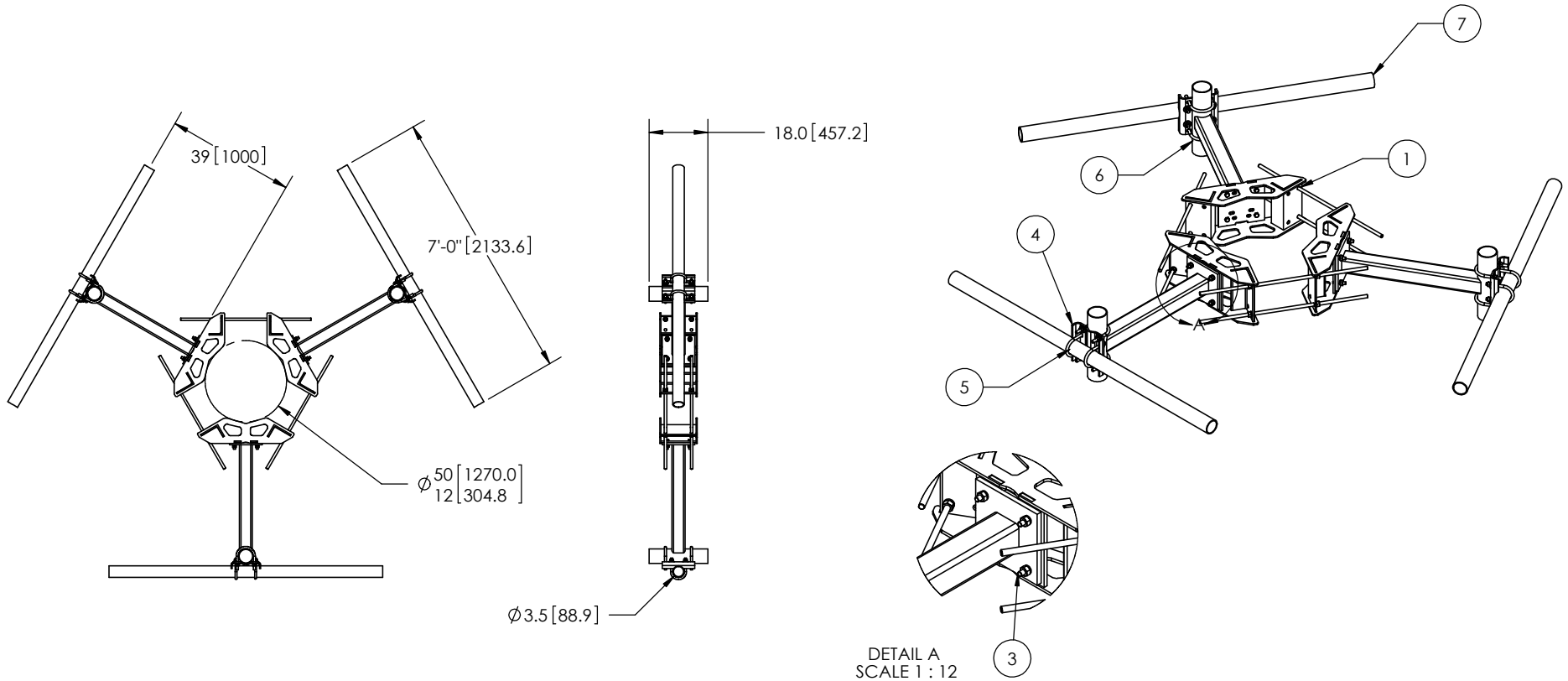



ITEM	PART NO.	DESCRIPTION	QTY.	WEIGHT
1	MC-RM1550-3	12" - 50" OD RINGMOUNT	1	230.42 LBS
2	MT197H	HARDWARE KIT (NEXT ITEM)	3	
3	GB-0524A	5/8" X 2-1/2" GALV BOLT KIT (A325)	12	0.31 LBS
4	MT216.13	CENTER BRACKET	3	11.80 LBS
5	GUB-53560	5/8" X 3-5/8" X 6" GALV U-BOLT	6	1.30 LBS
6	GUB-5456	5/8" X 4-5/8" X 6 1/2" GALV U-BOLT	6	1.43 LBS
7	MT54784	Ø 3.5" O.D. X 84" PIPE	3	53.22 LBS
8	MT197.01	36" SINGLE SUPPORT ARM	3	62.84 LBS

REVISIONS				
F	ECN	DESCRIPTION	BY	DATE
A		INITIAL RELEASE	MSM	02/08/10
B		UPDATE RINGMOUNT AND WEIGHTS	MSM	01/18/13
C		UPDATE FACE PIPE	MSM	01/21/14
D	8000007579	NEW RINGMOUNT WELDMENT DESIGN	RJC	04/16/15



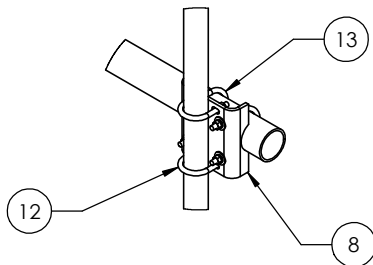
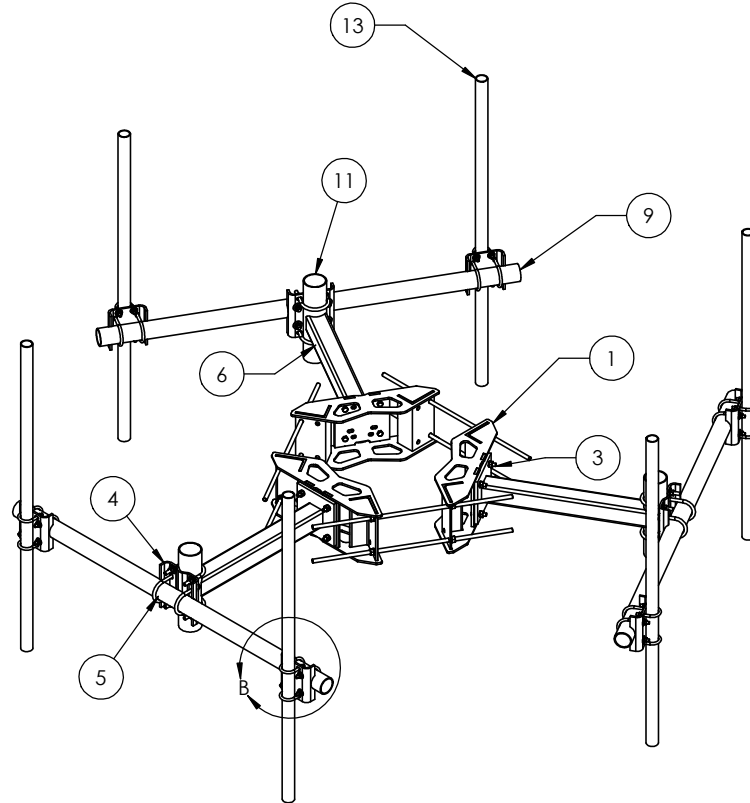
NOTES:  
 1. ALL METRIC DIMENSIONS ARE IN BRACKETS.  
 2. FIT MONOPOLES 12"-50" OD.

<small>These drawings and specifications are the proprietary property of ANDREW CORPORATION and may be used only for the specific purpose authorized in writing by Andrew Corporation.</small>		<small>DRAWN BY:</small> MSM <small>CHECKED BY:</small> TP <small>DATE:</small> 02/08/10 <small>REVISION:</small> D	<small>SHEET:</small> 1 of 3 <small>SCALE:</small> NTS <small>DATE:</small> 02/08/10 <small>REVISION:</small> D	<small>PART NUMBER:</small> MC-K6M-B SERIES <small>DESCRIPTION:</small> Monopole Co-Location T-Frame Base Kit <small>DRAWING TYPE:</small> ASSEMBLY DRAWING <small>MATERIAL:</small> A36, A53 <small>FINISH:</small> GALV A123 <small>WELD:</small> SEE TABLE
<small>ALL DIMENSIONS ARE IN INCHES U.O.S. TOLERANCES UNLESS OTHERWISE SPECIFIED:</small> .X = ± .12 ANGLES ± 2° .XX = ± .06 FRACTIONS ± 1/32 .XXX = ± .03 <small>REMOVE BURRS AND BREAK EDGES .005</small> DO NOT SCALE THIS PRINT		 WESTCHESTER, IL. 60154 U.S.A.		

ITEM	PART NO.	DESCRIPTION	QTY.	WEIGHT
1	MC-RM1550-3	12" - 50" OD RINGMOUNT	1	230.42 LBS
2	MT197H	HARDWARE KIT (NEXT ITEM)	3	
3	GB-0524A	5/8" X 2-1/2" GALV BOLT KIT (A325)	12	0.31 LBS
4	MT216.13	CENTER BRACKET	3	11.80 LBS
5	GUB-53560	5/8" X 3-5/8" X 6" GALV U-BOLT	6	1.30 LBS
6	GUB-5456	5/8" X 4-5/8" X 6 1/2" GALV U-BOLT	6	1.43 LBS
7	MT-219-H	HARDWARE KIT (Next 3 Items)	6	
8	MT21701	PIPE MOUNT PLATE	6	7.93 LBS
9	MT54784	Ø 3.5" O.D. X 84" PIPE	3	53.22 LBS
10	MT-651	2.375" OD x 72" PIPE	6	-
11	MT197.01	36" SINGLE SUPPORT ARM	3	62.84 LBS
12	GUB-4240	1/2" X 2-1/2" X 4" GALV U-BOLT	12	0.56 LBS
13	GUB-4356	1/2" X 3-5/8" X 6" GALV U-BOLT	12	0.82 LBS

PARTS LIST FOR USE WITH MC-K6M-B


T-FRAME #	PIPE	DESCRIPTION	QTY	WEIGHT
MC-K6M-B	-	BASE KIT	0	610.51 LBS
MC-K6M-6-72	MT-651	2-3/8"OD X 72" GALV PIPE	6	809.83 LBS
MC-K6M-6-96	MT-651-96	2-3/8"OD X 96" GALV PIPE	6	853.44 LBS
MC-K6M-9-72	MT-651	2-3/8"OD X 72" GALV PIPE	9	909.49 LBS
MC-K6M-9-96	MT-651-96	2-3/8"OD X 96" GALV PIPE	9	974.90 LBS



DETAIL B  
SCALE 1 : 12

NOTES:

1. ALL METRIC DIMENSIONS ARE IN BRACKETS.

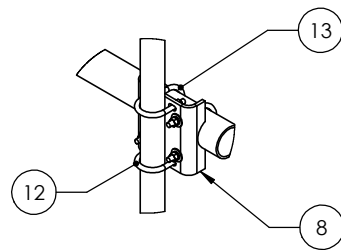
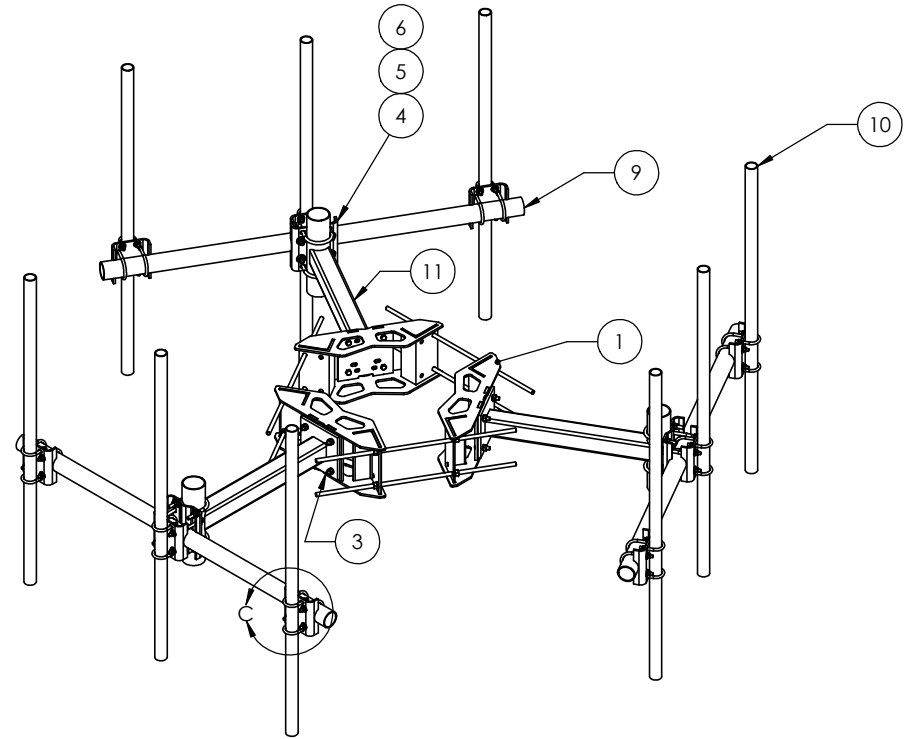
<small>These drawings and specifications are the proprietary property of ANDREW CORPORATION and may be used only for the specific purpose authorized in writing by Andrew Corporation.</small>		DRAWN BY: MSM CHECKED BY: TP DATE: 02/08/10 REVISION: D	SHEET: 2 of 3 SCALE: NTS MATERIAL: A36, A53 FINISH: GALV A123 WEIGHT: SEE TABLE	PART NUMBER: MC-K6M-B SERIES DESCRIPTION: Monopole Co-Location T-Frame, Six 2-3/8" x 72" Pipe Mounts DRAWING TYPE: ASSEMBLY DRAWING  WESTCHESTER, IL. 60154 U.S.A.
--	--	--	---	--

DO NOT SCALE THIS PRINT

ITEM	PART NO.	DESCRIPTION	QTY.	WEIGHT
1	MC-RM1550-3	12" - 50" OD RINGMOUNT	1	230.42 LBS
2	MT197H	HARDWARE KIT (NEXT ITEM)	3	
3	GB-0524A	5/8" X 2-1/2" GALV BOLT KIT (A325)	12	0.31 LBS
4	MT216.13	CENTER BRACKET	3	11.80 LBS
5	GUB-53560	5/8" X 3-5/8" X 6" GALV U-BOLT	6	1.30 LBS
6	GUB-5456	5/8" X 4-5/8" X 6 1/2" GALV U-BOLT	6	1.43 LBS
7	MT-219-H	HARDWARE KIT (Next 3 Items)	9	
8	MT21701	PIPE MOUNT PLATE	9	7.93 LBS
9	MT54784	Ø3.5" O.D. X 84" PIPE	3	53.22 LBS
10	MT-651	2.375" OD x 72" PIPE	9	-
11	MT197.01	36" SINGLE SUPPORT ARM	3	62.84 LBS
12	GUB-4240	1/2" X 2-1/2" X 4" GALV U-BOLT	18	0.56 LBS
13	GUB-4356	1/2" X 3-5/8" X 6" GALV U-BOLT	18	0.82 LBS

PARTS LIST FOR USE WITH MC-K6M-B


T-FRAME #	PIPE	DESCRIPTION	QTY	WEIGHT
MC-K6M-B	-	BASE KIT	0	610.51 LBS
MC-K6M-6-72	MT-651	2-3/8" OD X 72" GALV PIPE	6	809.83 LBS
MC-K6M-6-96	MT-651-96	2-3/8" OD X 96" GALV PIPE	6	853.44 LBS
MC-K6M-9-72	MT-651	2-3/8" OD X 72" GALV PIPE	9	909.49 LBS
MC-K6M-9-96	MT-651-96	2-3/8" OD X 96" GALV PIPE	9	974.90 LBS



DETAIL C  
SCALE 1 : 12

NOTES:

1. ALL METRIC DIMENSIONS ARE IN BRACKETS.

<small>These drawings and specifications are the proprietary property of ANDREW CORPORATION and may be used only for the specific purpose authorized in writing by Andrew Corporation.</small>		DRAWN BY: MSM CHECKED BY: TP DATE: 02/08/10 REVISION: D	SHEET: 3 of 3 SCALE: NTS MATERIAL: A36, A53 FINISH: GALV A123 WEIGHT: SEE TABLE	PART NUMBER: MC-K6M-B SERIES DESCRIPTION: Monopole Co-Location T-Frame, Nine 2-3/8" x 72" Pipe Mounts DRAWING TYPE: ASSEMBLY DRAWING  WESTCHESTER, IL. 60154 U.S.A.
--	--	--	---	---