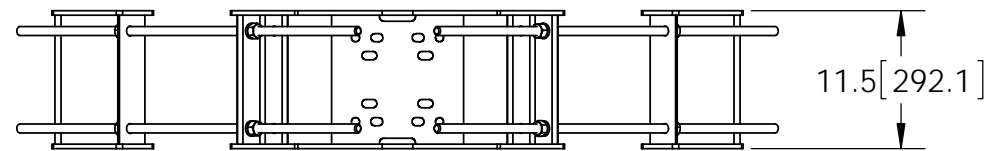
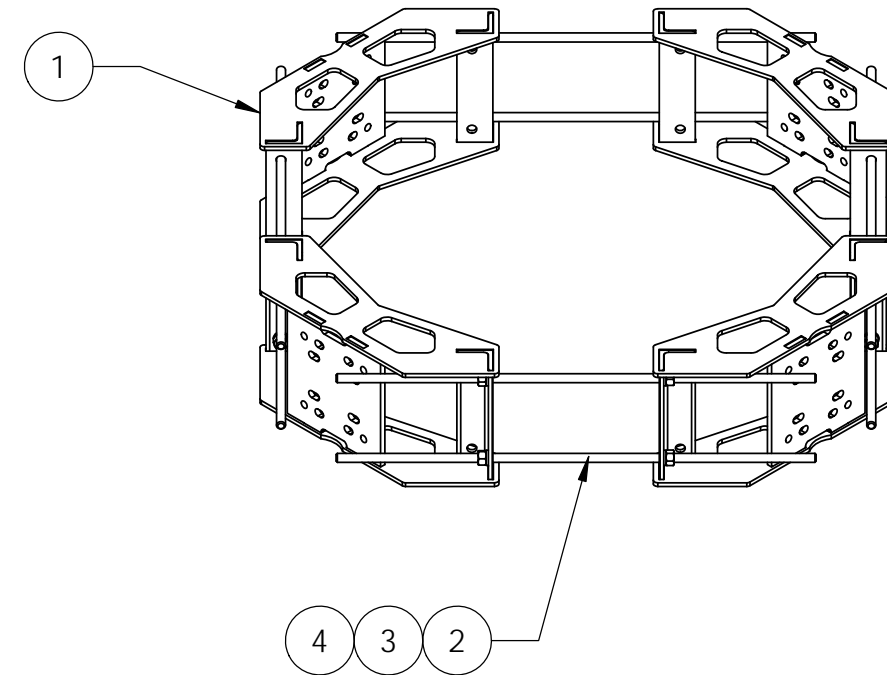
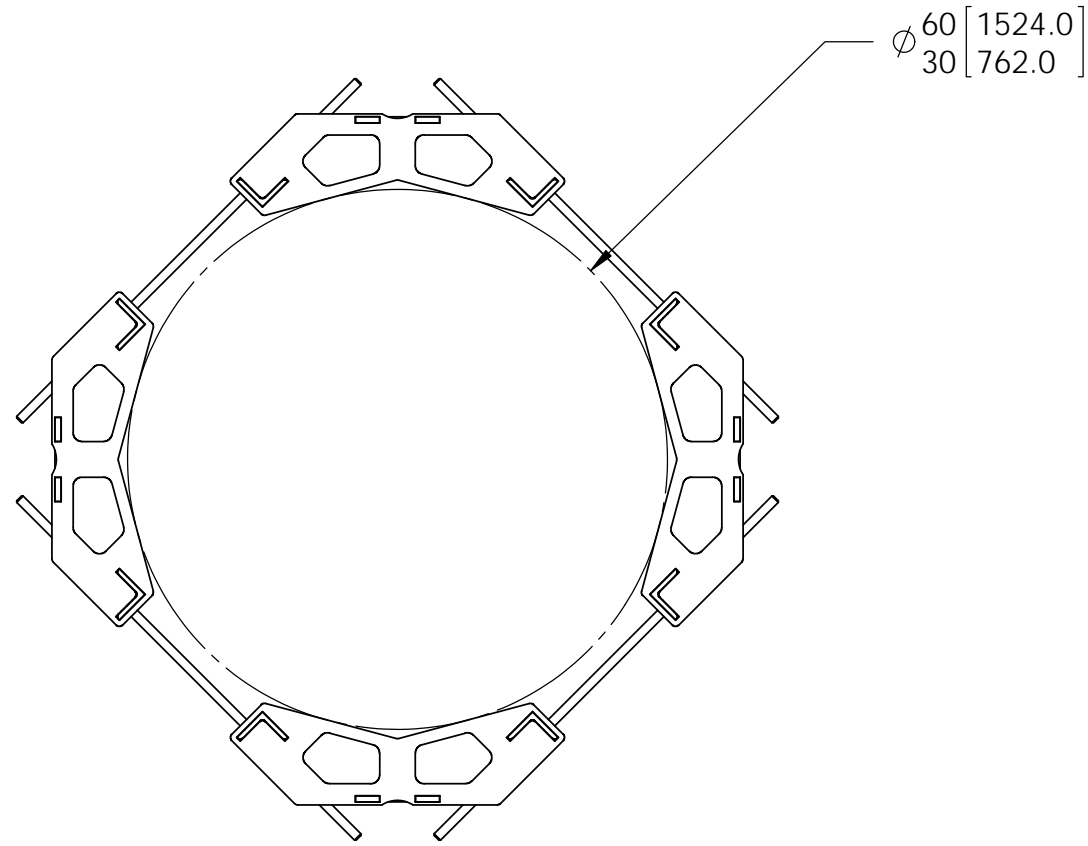



ITEM	PART NO.	DESCRIPTION	QTY.	WEIGHT
1	RM3060404	30-60 4 SECTOR RM WLDMNT	4	53.06 LBS
2	MT-384-40	3/4" X 40" GALV THREADED ROD	8	4.97 LBS
3	GWL-06	3/4" GALV LOCK WASHER	16	0.04 LBS
4	GN-06	3/4" GALV HEX NUT	16	0.15 LBS

REVISIONS				
REV.	ECN	DESCRIPTION	BY	DATE
F		REDESIGN	AW	11/05/04
G		REDESIGN WELDMENT	MSM	11/16/11
H	8000015106	NEW DESIGN WELDMENT	MSM	07/12/16



NOTES:
1. ALL METRIC DIMENSIONS ARE IN BRACKETS.

<small>These drawings and specifications are the proprietary property of ANDREW CORPORATION and may be used only for the specific purpose authorized in writing by Andrew Corporation.</small> ALL DIMENSIONS ARE IN INCHES U.O.S. TOLERANCES UNLESS OTHERWISE SPECIFIED: .X = ± .12 ANGLES ±2° .XX = ± .06 FRACTIONS ±1/32 .XXX = ± .03 REMOVE BURRS AND BREAK EDGES .005 DO NOT SCALE THIS PRINT	DRAWN BY: MSM	SHEET: 1 of 1	PART NUMBER: MC-RM3060-4
	CHECKED BY: TP	SCALE: NTS	DESCRIPTION: FOUR SECTOR RING MOUNT, 30-60 OD
	DATE: 07/06/11	MATERIAL: A36, A529	DRAWING TYPE: ASSEMBLY DRAWING
	REVISION: H	FINISH: GALV A123 WEIGHT: 255.01 LBS	 WESTCHESTER, IL. 60154 U.S.A.