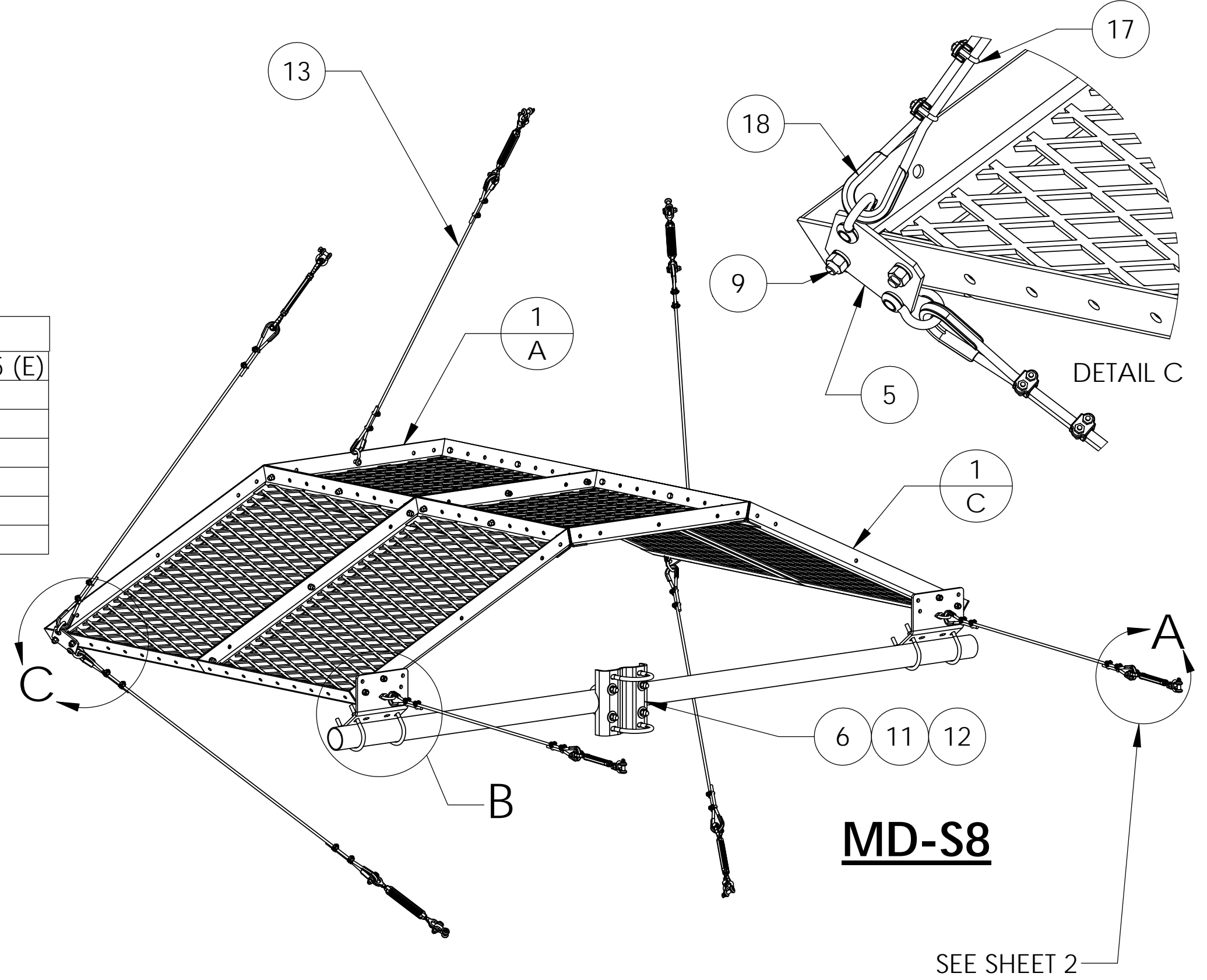
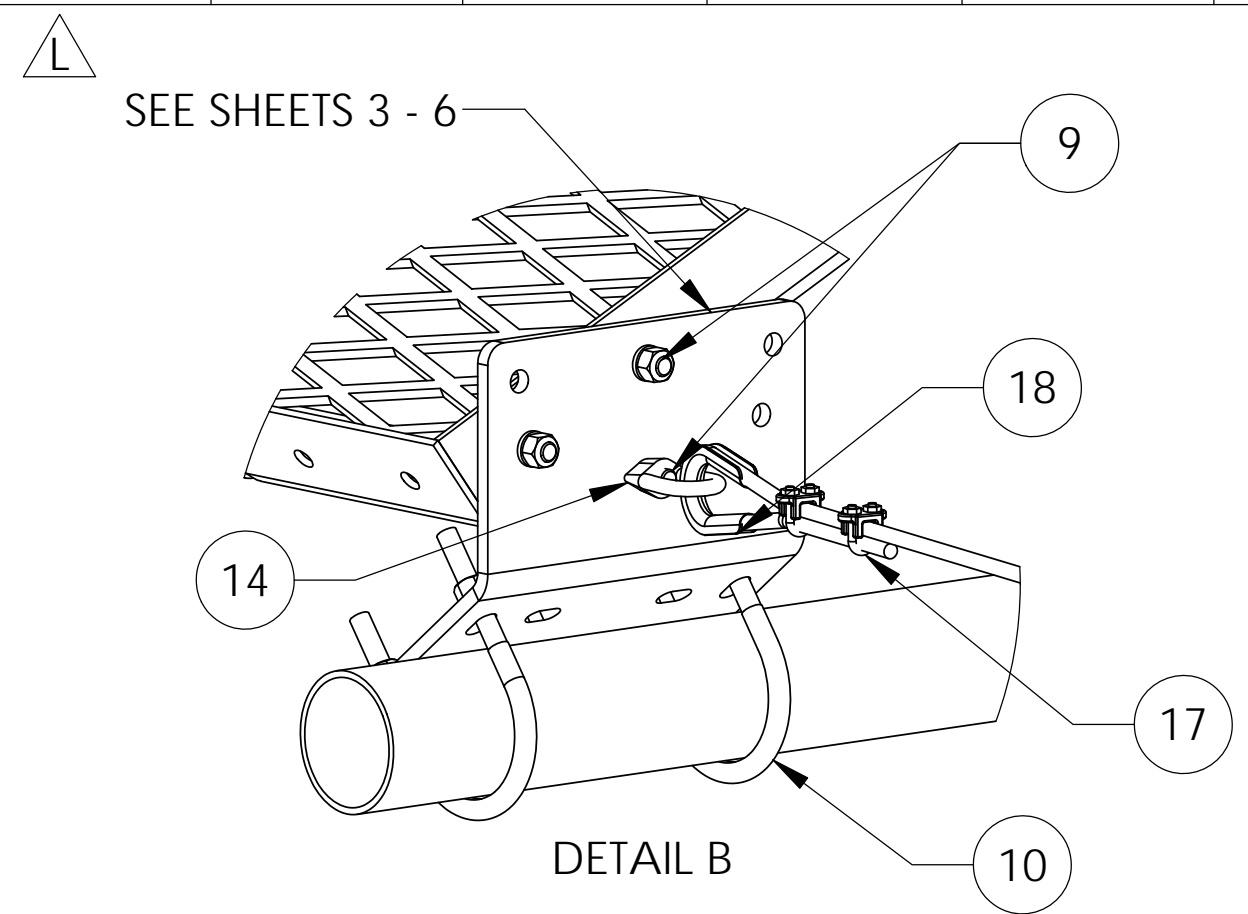


ITEM	PART NO.	DESCRIPTION	QTY.	WEIGHT
1	MDS.XX	PANELS (SEE TABLE)	-	-
2	MXXX	GALV. PIPE (SEE TABLE)	1	-
3	MDSHK	HARDWARE KIT (ITEMS 4-18)	1	-
4	MDS15	CENTER PLATE	1	1.59 LBS
5	MDS.17	SHACKLE PLATE	2	1.32 LBS
6	MT216.13	CENTER BRACKET	1	11.80 LBS
7	MDS20	MOUNT BRACKET	2	13.14 LBS
8	MDS21	MOUNT BRACKET	2	13.14 LBS
9	GB-04125	1/2" X 1-1/4" GALV BOLT KIT	32	0.12 LBS
10	GUB-4356	1/2" X 3-5/8" X 6" GALV U-BOLT KIT	4	0.88 LBS
11	GUB-53560	5/8" X 3-5/8" X 6" GALV U-BOLT	2	1.28 LBS
12	GUB-5456	5/8" X 4-5/8" X 6 1/2" GALV U-BOLT	2	1.42 LBS
13	MT-299	EHS 3/8" GUY CABLE (200FT ROLL)	1	1.13LBS
14	MT-309	EYE NUT 3/8" WITH 1/2" THREAD	2	0.26 LBS
15	MT-320	1/2" X 6" LONG JAW-JAW TURNBUCKLE	7	1.788 LBS
16	MT-345	3/8 SHACKLE	12	0.33 LBS
17	MT-326	3/8" CABLE CLIP	28	0.08 LBS
18	MT-303	3/8" OPEN THIMBLE GALV	14	0.12 LBS

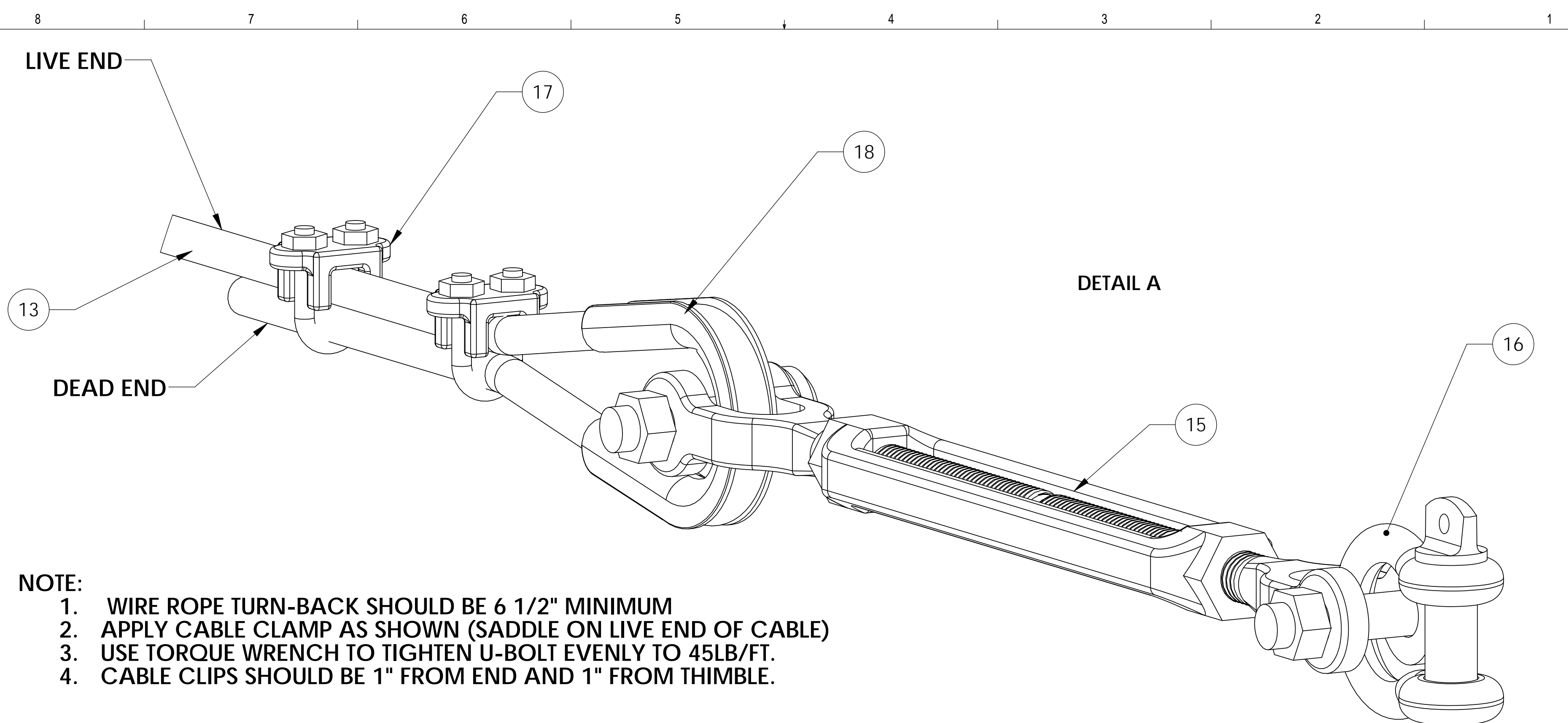
REVISIONS				
REV.	ECN	DESCRIPTION	BY	DATE
A		INITIAL RELEASE	AW	04/13/06
B		UPDATE ITEM #15	MSM	06/11/08
C		ADD MD-S3, ADD SHEET 4	MSM	08/21/09
D		REVISED MOUNTING BRACKETS	DRR	8/27/2010
E		ADD NOTES AND PANEL DIMENSIONS	MSM	03/07/12
F		REVISED HARDWARE KIT	DRR	03/07/13
H		ADDED DETAIL A SHEET 2	DRR	04/02/13
J		NEW THIMBLE AND TURNBUCKLE	MSM	03/24/14
K	800005308	UPDATE BALLOON CALL-OUTS SHEET 1	MSM	10/01/14
L	8000025985	MD-S12, REPLACED MF130 WITH MT547156	QDL	8/30/2017

PART #	WEIGHT	GALV PIPE	PANELS				
			MDS.01 (A)	MDS.02 (B)	MDS.03 (C)	MDS.04 (D)	MDS.05 (E)
MD-S3	260.4 LBS	MT54775	2	-	-	-	-
MD-S4	261.2 LBS	MT54775	-	2	-	-	-
MD-S6	415.7 LBS	MT547100	-	-	4	-	-
MD-S8	543.4 LBS	MT547126	2	-	4	-	-
MD-S10	622.5 LBS	MT547140	-	-	3	3	-
MD-S12	751.7 LBS	MT547156	-	-	-	2	4

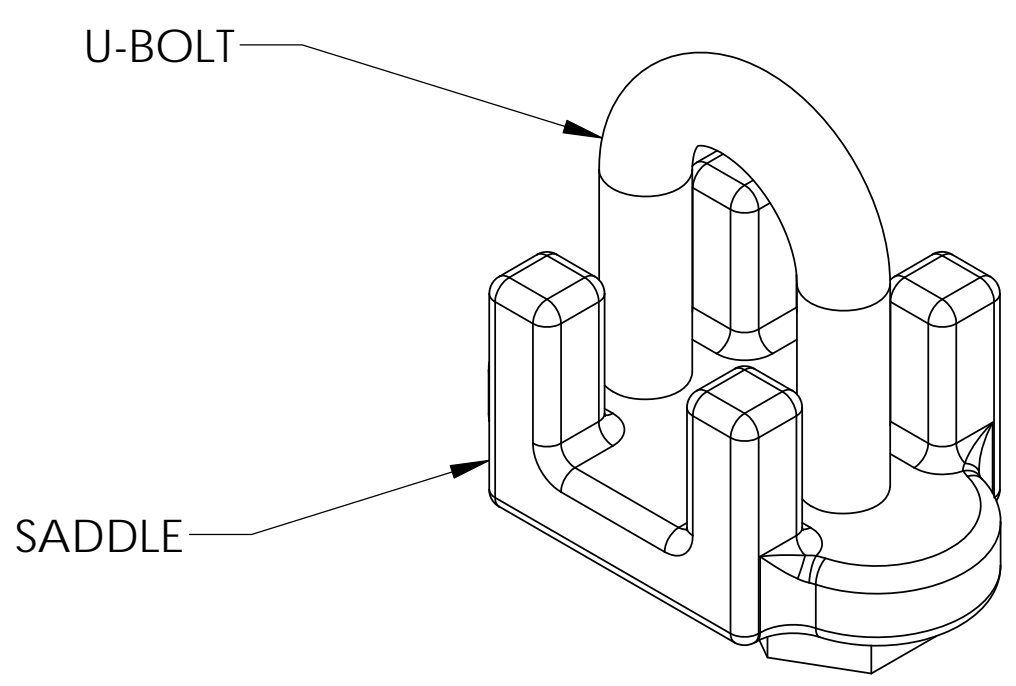


- NOTES:
- 3 BOLTS AT EACH PANEL CONNECTION
 - MINIMUM 45 FT. LBS OF TORQUE ON CABLE CLIPS
 - MUST HAVE ALL 7 GUY CABLE LOCATIONS.

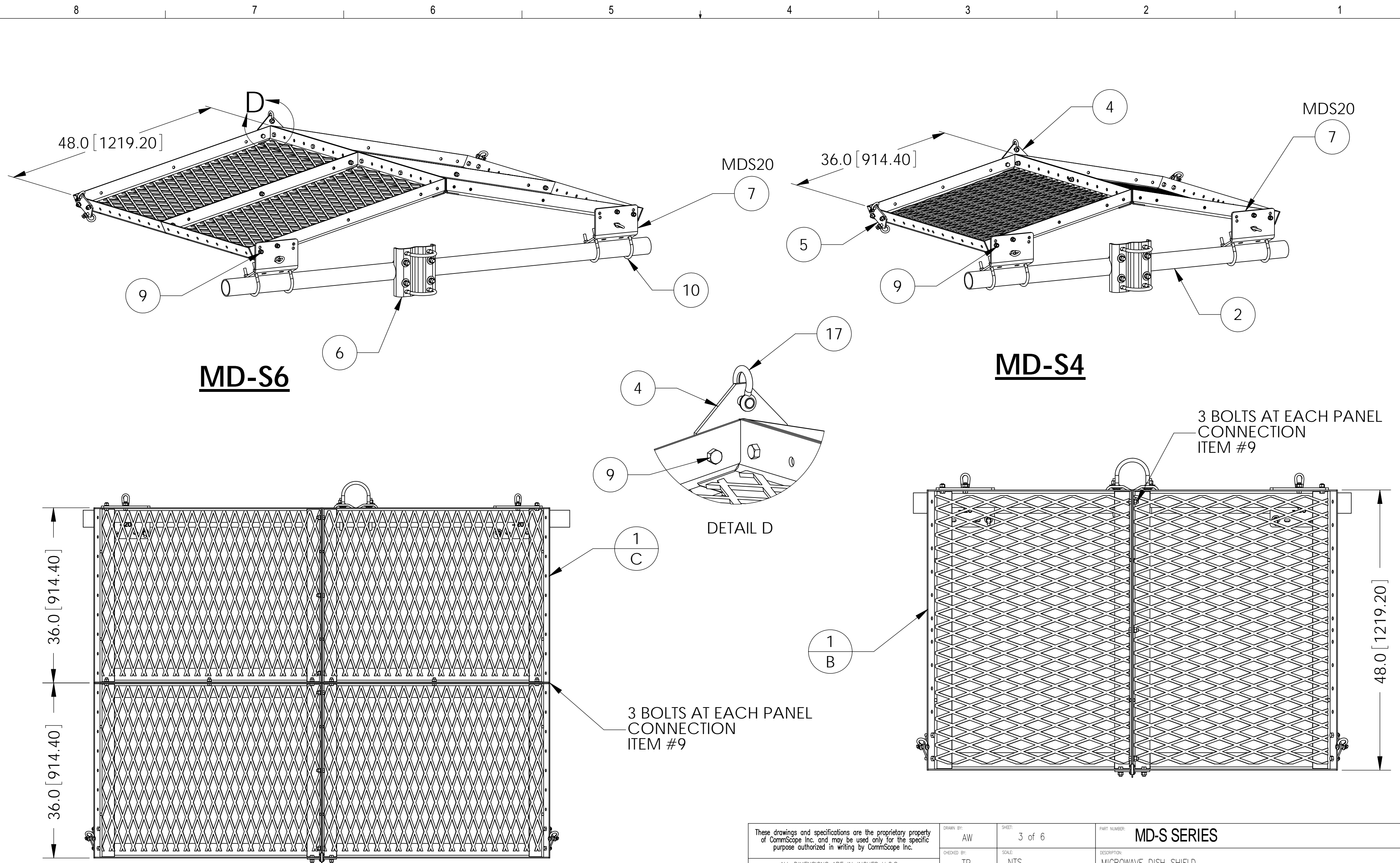
These drawings and specifications are the proprietary property of CommScope Inc. and may be used only for the specific purpose authorized in writing by CommScope Inc.		DRAWN BY: AW	SHEET: 1 of 6	PART NUMBER: MD-S SERIES
ALL DIMENSIONS ARE IN INCHES U.O.S. TOLERANCES UNLESS OTHERWISE SPECIFIED: .X = ± .12 ANGLES ±2° .XX = ± .06 FRACTIONS ±1/32 .XXX = ± .03		CHECKED BY: TP	SCALE: NTS	DESCRIPTION: MICROWAVE DISH SHIELD
REMOVE BURRS AND BREAK EDGES .005		DATE: 04/13/06	MATERIAL: A36, A500	DRAWING TYPE: ASSEMBLY DRAWING
DO NOT SCALE THIS PRINT		REVISION: L	FINISH: GALV A123	 Hickory, NC 28602 U.S.A.
			WEIGHT: SEE TABLE	



- NOTE:**
1. WIRE ROPE TURN-BACK SHOULD BE 6 1/2" MINIMUM
 2. APPLY CABLE CLAMP AS SHOWN (SADDLE ON LIVE END OF CABLE)
 3. USE TORQUE WRENCH TO TIGHTEN U-BOLT EVENLY TO 45LB/FT.
 4. CABLE CLIPS SHOULD BE 1" FROM END AND 1" FROM THIMBLE.



These drawings and specifications are the proprietary property of CommScope Inc. and may be used only for the specific purpose authorized in writing by CommScope Inc. ALL DIMENSIONS ARE IN INCHES U.O.S. TOLERANCES UNLESS OTHERWISE SPECIFIED: .X = ± .12 ANGLES ±2° .XX = ± .06 FRACTIONS ±1/32 .XXX = ± .03 REMOVE BURRS AND BREAK EDGES .005 DO NOT SCALE THIS PRINT	DRAWN BY: AW CHECKED BY: TP DATE: 04/13/06 REVISION: L	SHEET: 2 of 6 SCALE: NTS MATERIAL: A36, A500 FINISH: GALV A123 WEIGHT: SEE TABLE	PART NUMBER: MD-S SERIES DESCRIPTION: MICROWAVE DISH SHIELD DRAWING TYPE: ASSEMBLY DRAWING COMMSCOPE® Hickory, NC 28602 U.S.A.
---	---	--	--



MD-S6

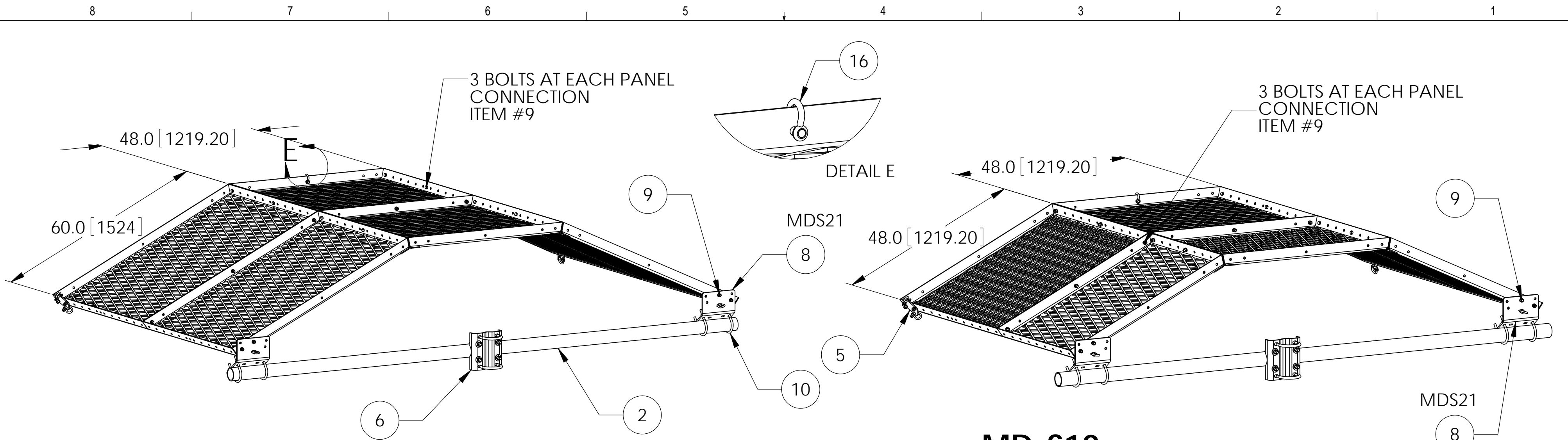
MD-S4

3 BOLTS AT EACH PANEL CONNECTION
ITEM #9

3 BOLTS AT EACH PANEL CONNECTION
ITEM #9

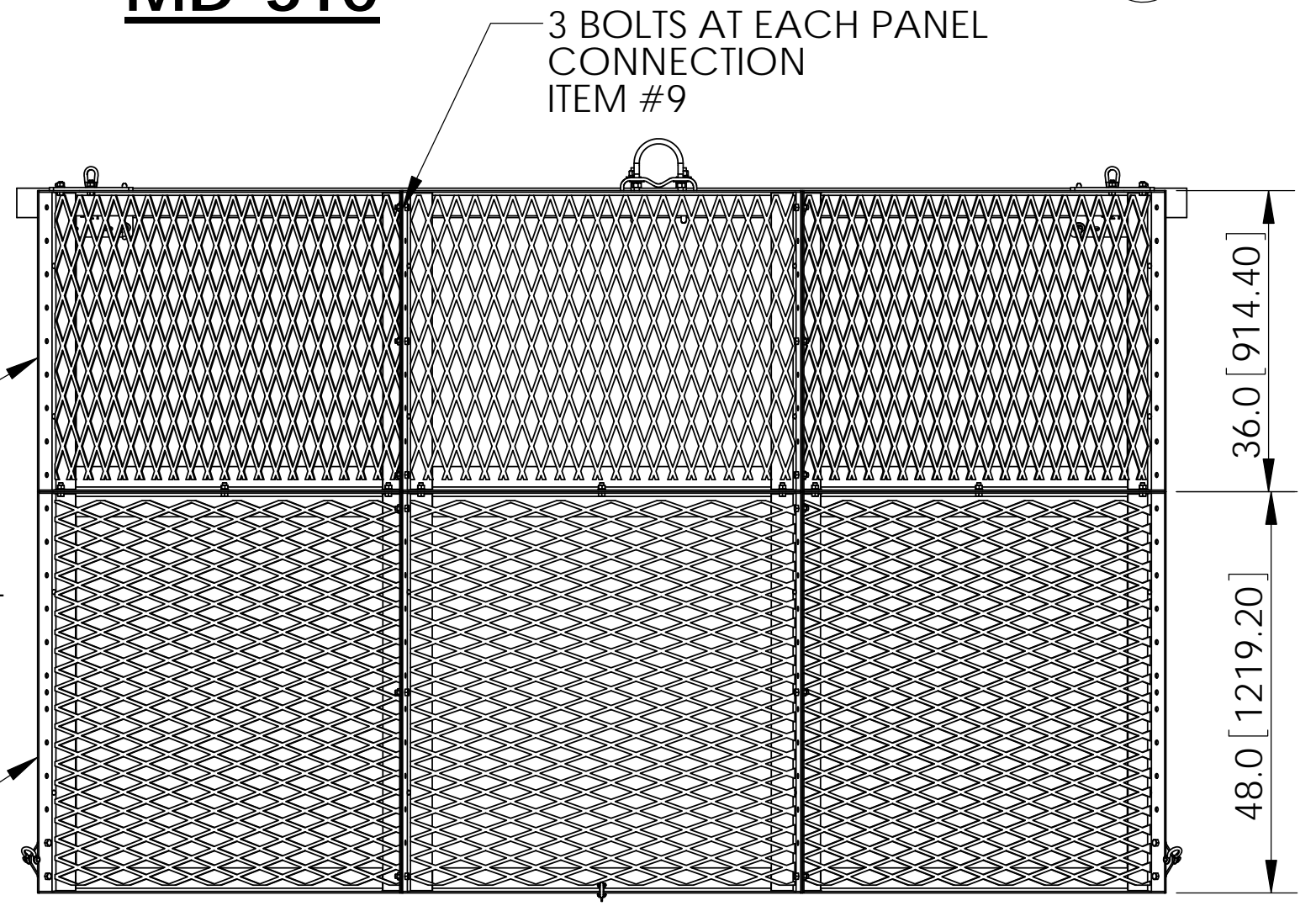
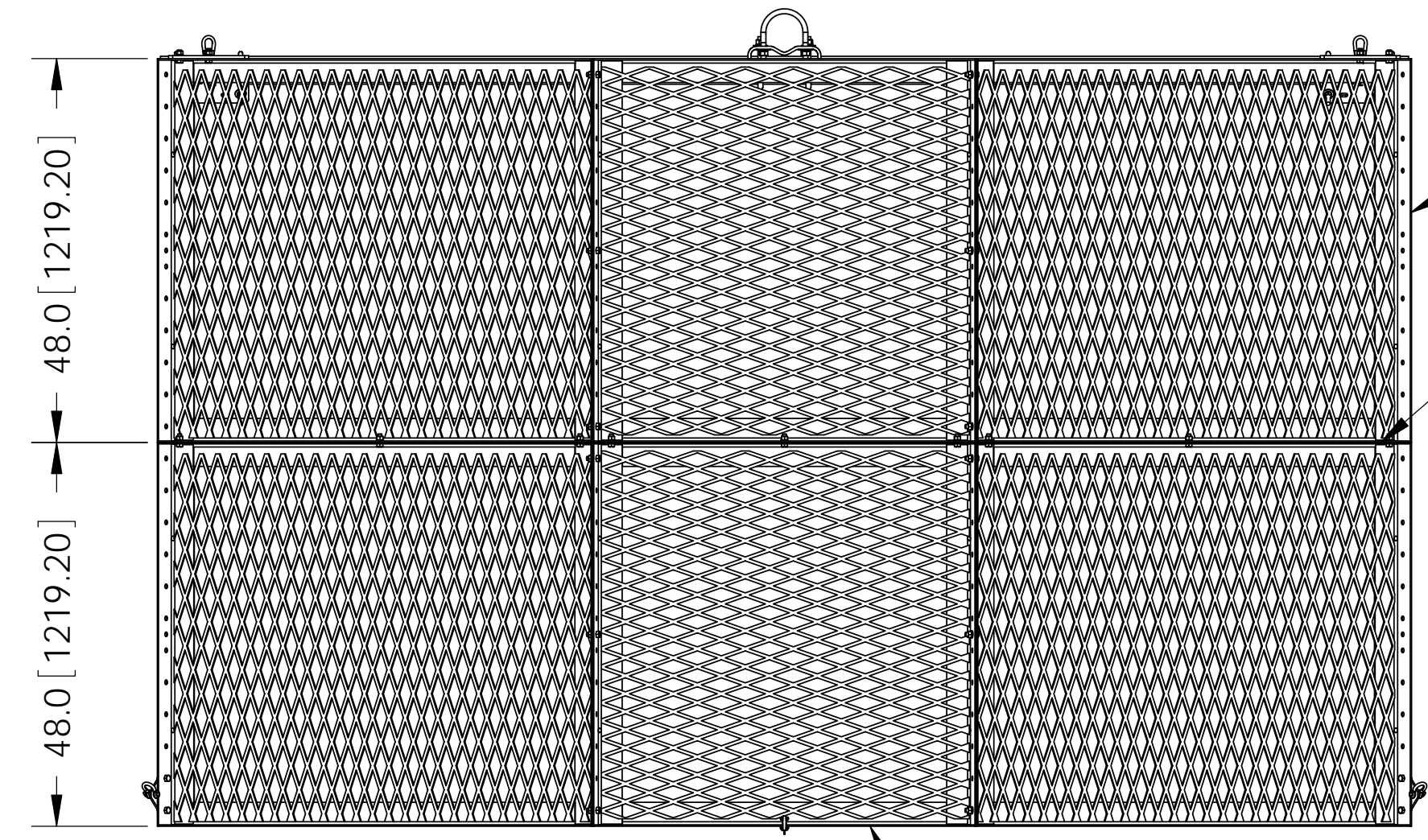
<small>These drawings and specifications are the proprietary property of CommScope Inc. and may be used only for the specific purpose authorized in writing by CommScope Inc.</small>		DRAWN BY: AW CHECKED BY: TP DATE: 04/13/06 REVISION: L	SHEET: 3 of 6 SCALE: NTS MATERIAL: A36, A500 FINISH: GALV A123 WEIGHT: SEE TABLE	PART NUMBER: MD-S SERIES DESCRIPTION: MICROWAVE DISH SHIELD DRAWING TYPE: ASSEMBLY DRAWING COMMSCOPE® Hickory, NC 28602 U.S.A.
---	--	---	--	---

ALL DIMENSIONS ARE IN INCHES U.O.S.
TOLERANCES UNLESS OTHERWISE SPECIFIED:
 .X = ± .12 ANGLES ±2°
 .XX = ± .06 FRACTIONS ±1/32
 .XXX = ± .03
 REMOVE BURRS AND BREAK EDGES .005
 DO NOT SCALE THIS PRINT



MD-S12

MD-S10



These drawings and specifications are the proprietary property of CommScope Inc. and may be used only for the specific purpose authorized in writing by CommScope Inc.

ALL DIMENSIONS ARE IN INCHES U.O.S.
TOLERANCES UNLESS OTHERWISE SPECIFIED:
.X = ± .12 ANGLES ±2°
.XX = ± .06 FRACTIONS ±1/32
.XXX = ± .03

REMOVE BURRS AND BREAK EDGES .005
DO NOT SCALE THIS PRINT

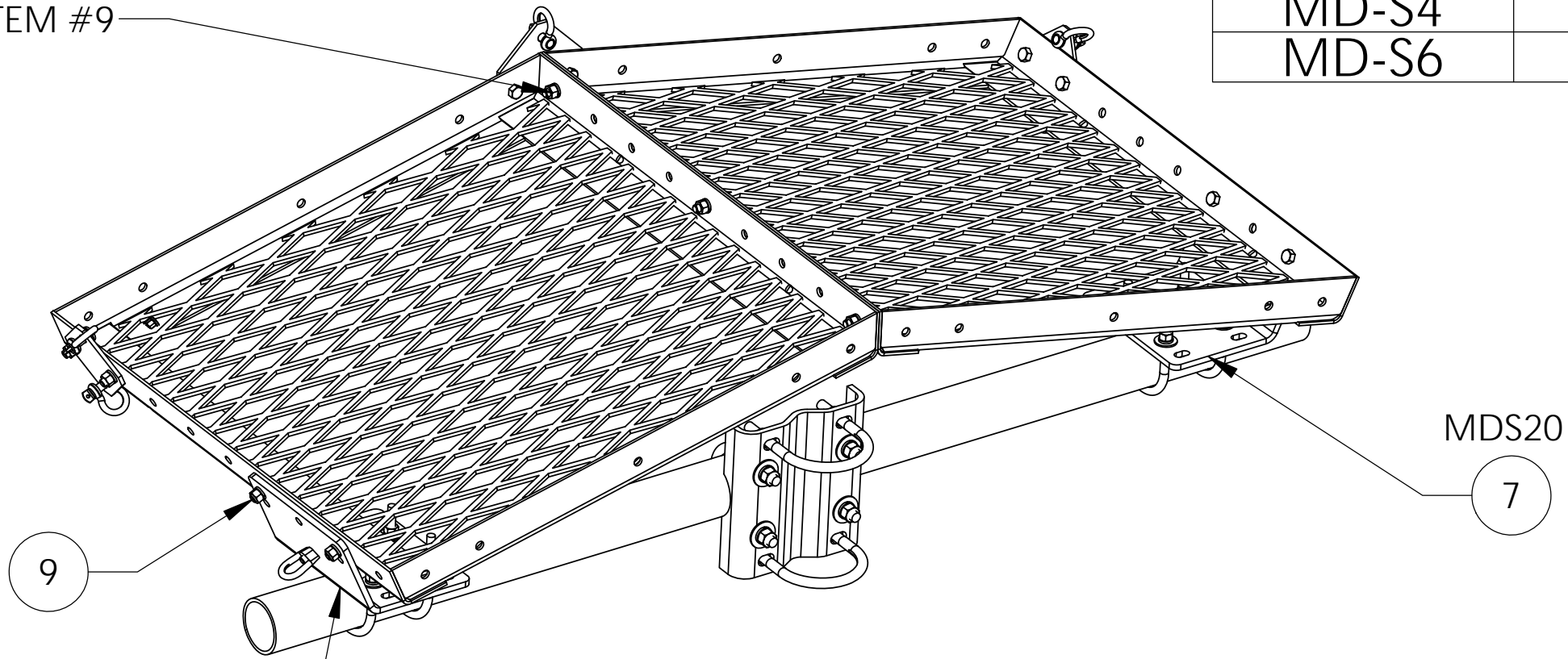
DRAWN BY:	AW	SHEET:	4 of 6	PART NUMBER:	MD-S SERIES
CHECKED BY:	TP	SCALE:	NTS	DESCRIPTION:	MICROWAVE DISH SHIELD
DATE:	04/13/06	MATERIAL:	A36, A500	DRAWING TYPE:	ASSEMBLY DRAWING
REVISION:	L	FINISH:	GALV A123		
		WEIGHT:	SEE TABLE		

COMMScope[®]
Hickory, NC 28602 U.S.A.

8 7 6 5 4 3 2 1

MODEL	BRACKETS	MARKINGS
MD-S3	MDS20	-20
MD-S4	MDS20	-20
MD-S6	MDS20	-20

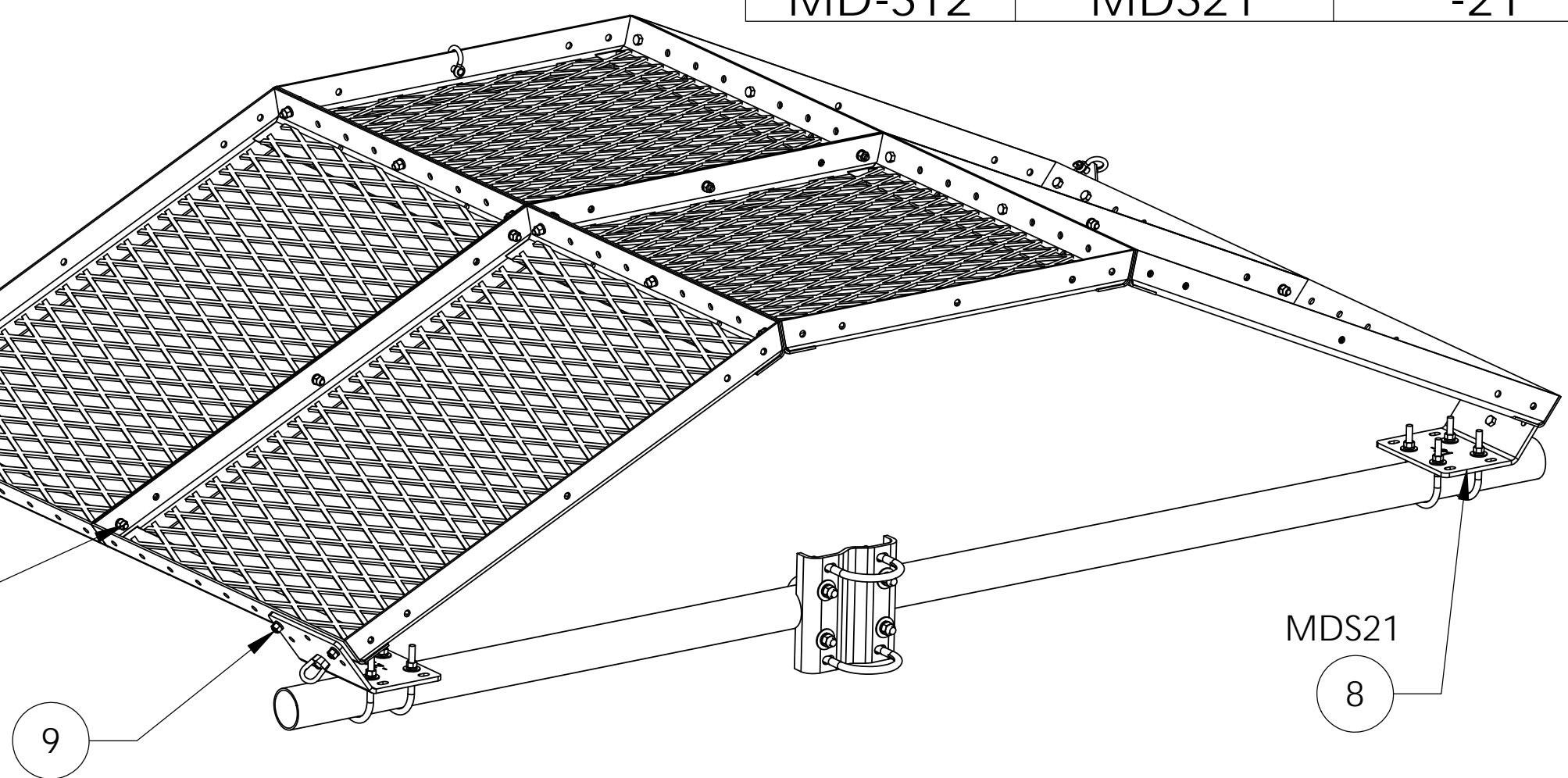
3 BOLTS AT EACH PANEL CONNECTION
ITEM #9




BRACKET ADJUSTS
ALONG ENTIRE SIDE
4" INCREMENTS

MODEL	BRACKETS	MARKINGS
MD-S8	MDS21	-21
MD-S10	MDS21	-21
MD-S12	MDS21	-21

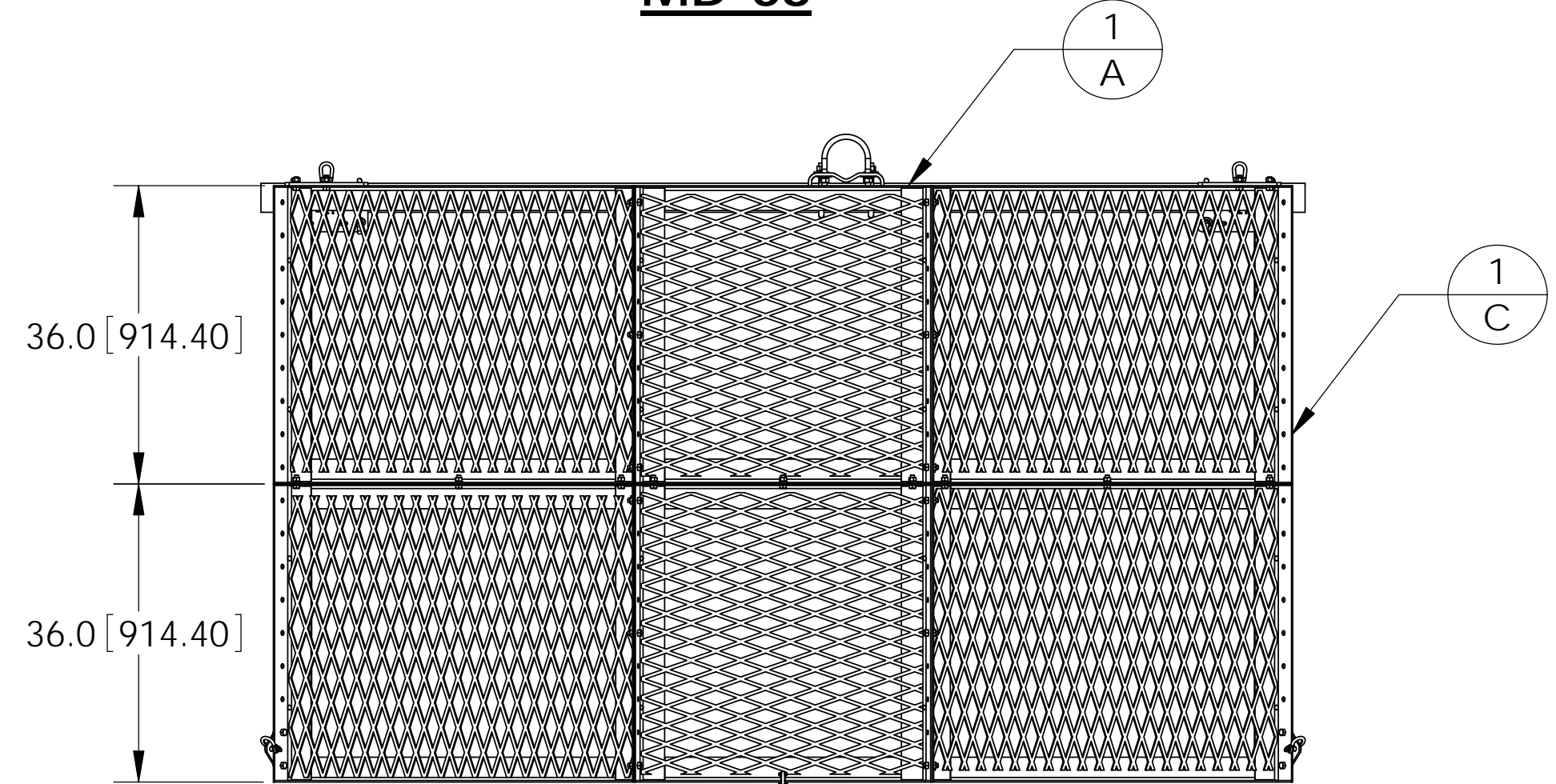
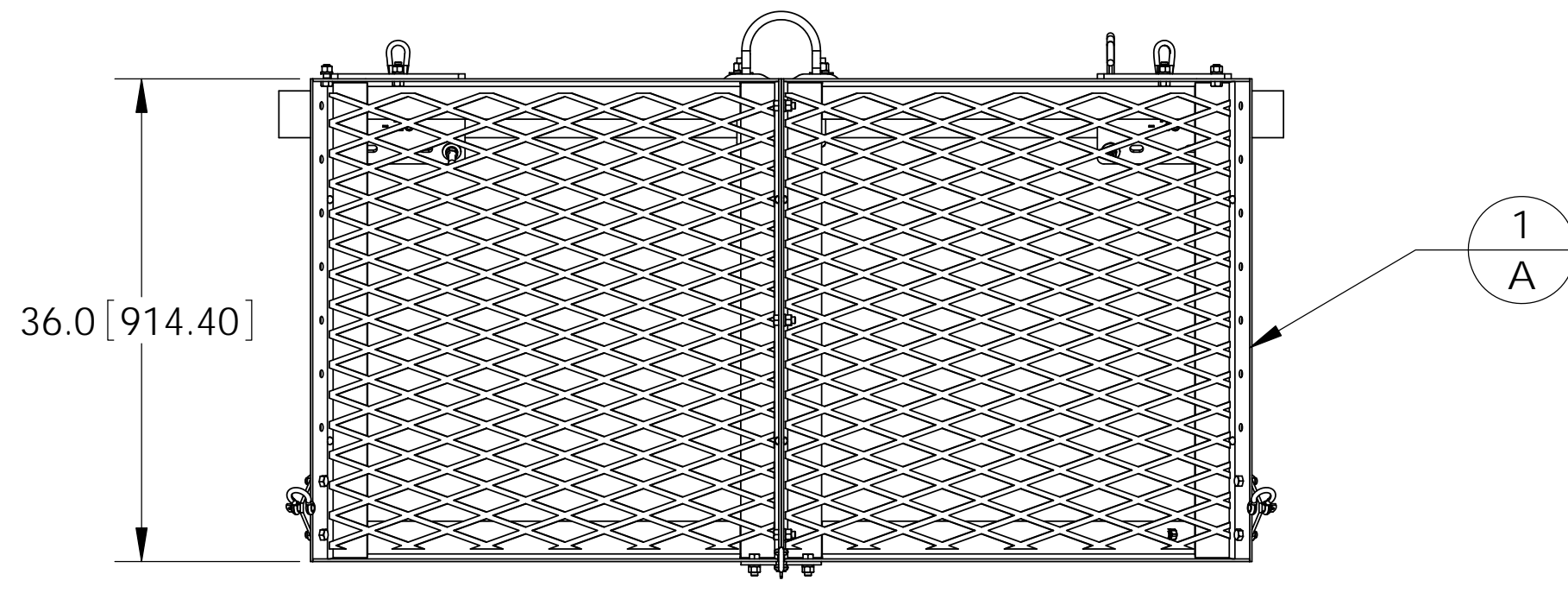
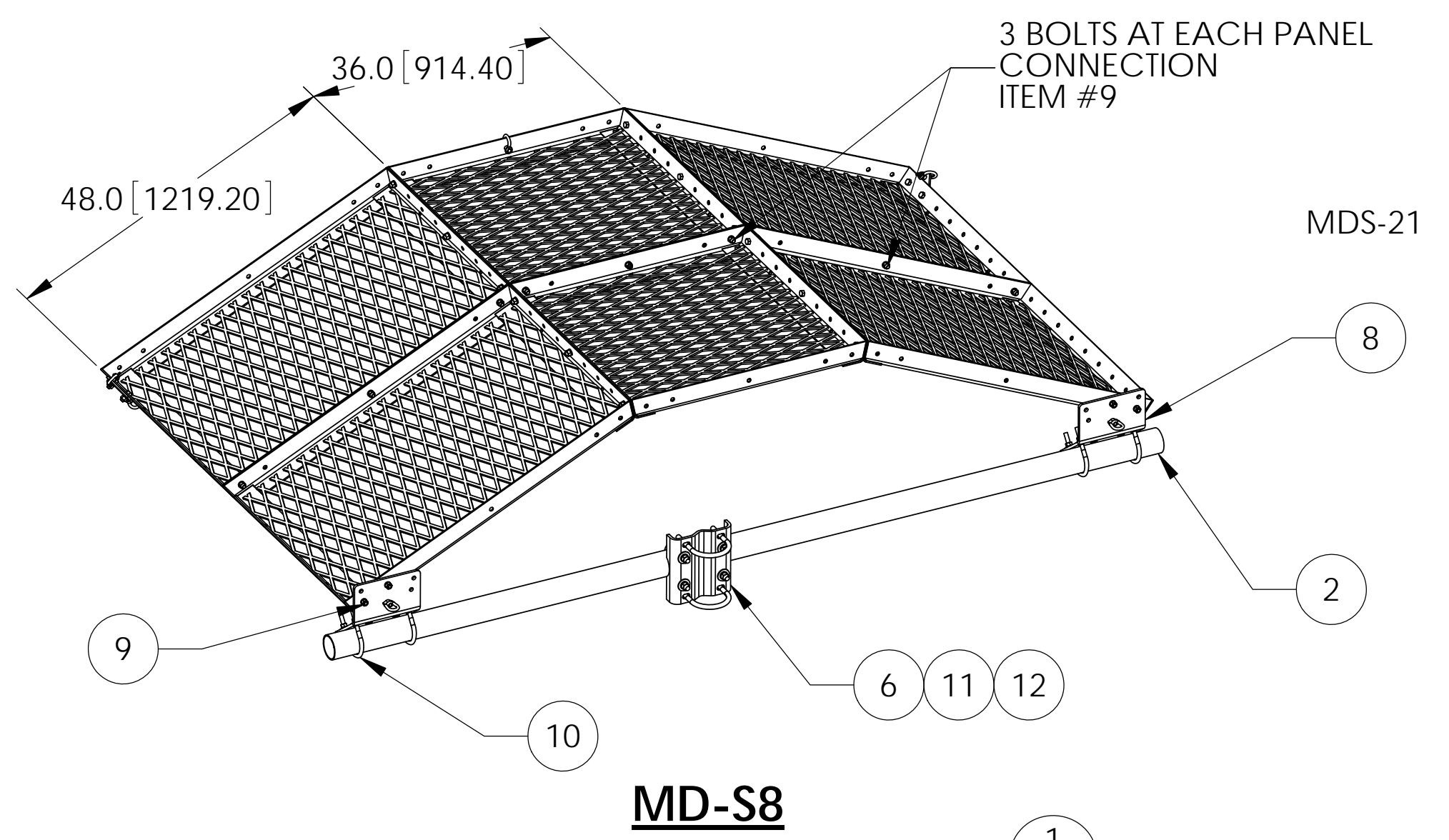
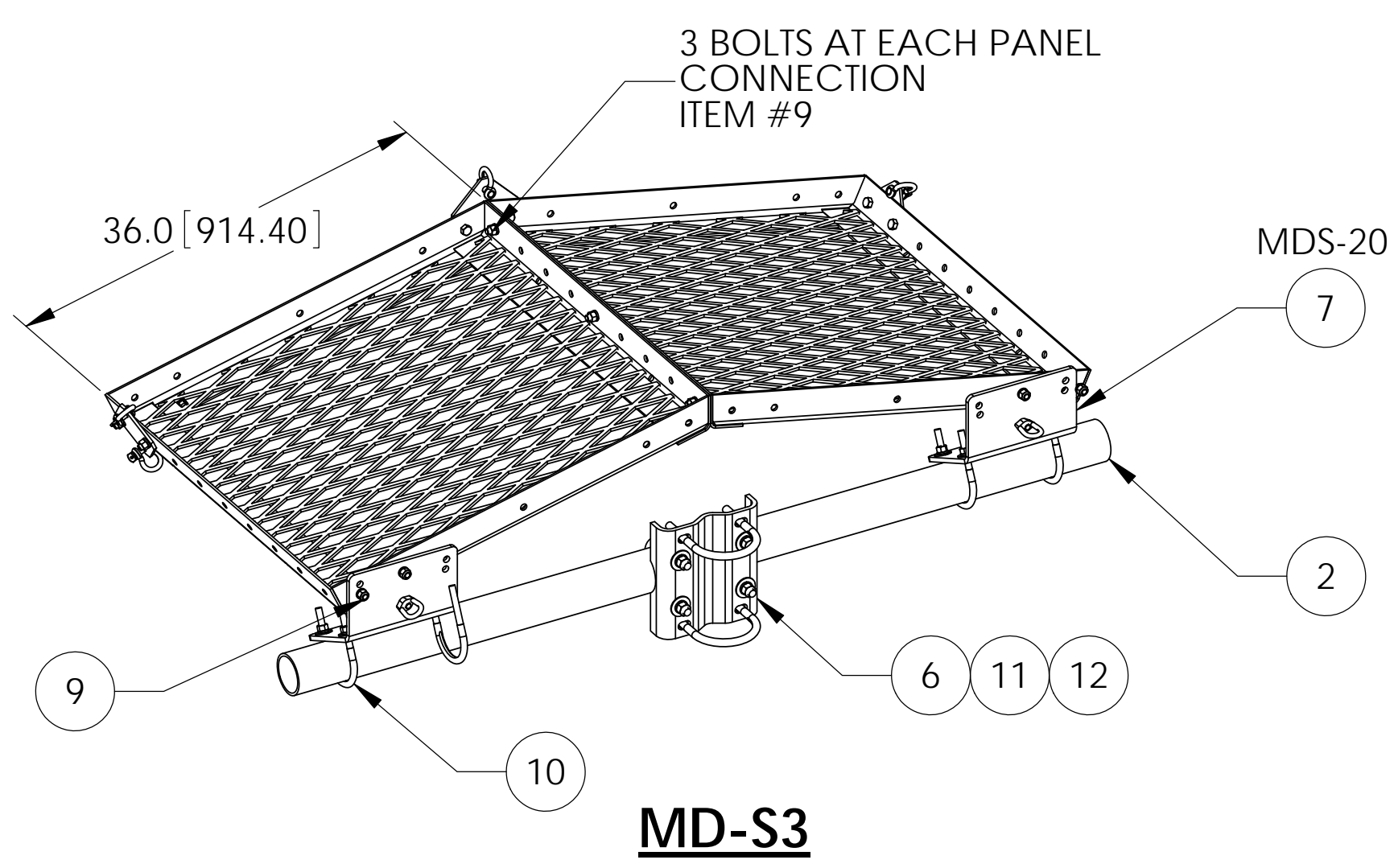
3 BOLTS AT EACH PANEL CONNECTION
ITEM #9



NOTE:
BRACKETS ARE MODEL DEPENDENT.
REFERENCE BRACKET TABLE FOR EACH MODEL.
BRACKETS CAN BE MOUNTED TO SIDES OR REAR

<small>These drawings and specifications are the proprietary property of CommScope Inc. and may be used only for the specific purpose authorized in writing by CommScope Inc.</small>		DRAWN BY: AW CHECKED BY: TP DATE: 04/13/06 REVISION: L	SHEET: 5 of 6 SCALE: NTS MATERIAL: A36, A500 FINISH: GALV A123 WEIGHT: SEE TABLE	PART NUMBER: MD-S SERIES DESCRIPTION: MICROWAVE DISH SHIELD DRAWING TYPE: ASSEMBLY DRAWING  Hickory, NC 28602 U.S.A.
---	--	---	--	---

8 7 6 5 4 3 2 1



<p>These drawings and specifications are the proprietary property of CommScope Inc. and may be used only for the specific purpose authorized in writing by CommScope Inc.</p> <p>ALL DIMENSIONS ARE IN INCHES U.O.S. TOLERANCES UNLESS OTHERWISE SPECIFIED:</p> <p>.X = ± .12 ANGLES ±2° .XX = ± .06 FRACTIONS ±1/32 .XXX = ± .03</p> <p>REMOVE BURRS AND BREAK EDGES .005</p> <p>DO NOT SCALE THIS PRINT</p>	DRAWN BY: AW	SHEET: 6 of 6	PART NUMBER: MD-S SERIES
	CHECKED BY: TP	SCALE: NTS	DESCRIPTION: MICROWAVE DISH SHIELD
	DATE: 04/13/06	MATERIAL: A36, A500	DRAWING TYPE: ASSEMBLY DRAWING
	REVISION: L	FINISH: GALV A123	<div style="text-align: center;"> COMMSCOPE® Hickory, NC 28602 U.S.A. </div>
		WEIGHT: SEE TABLE	