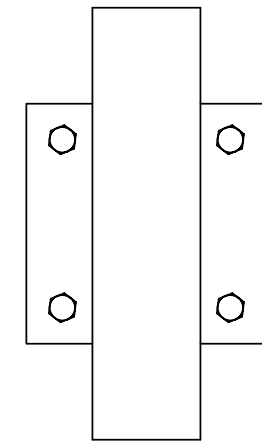
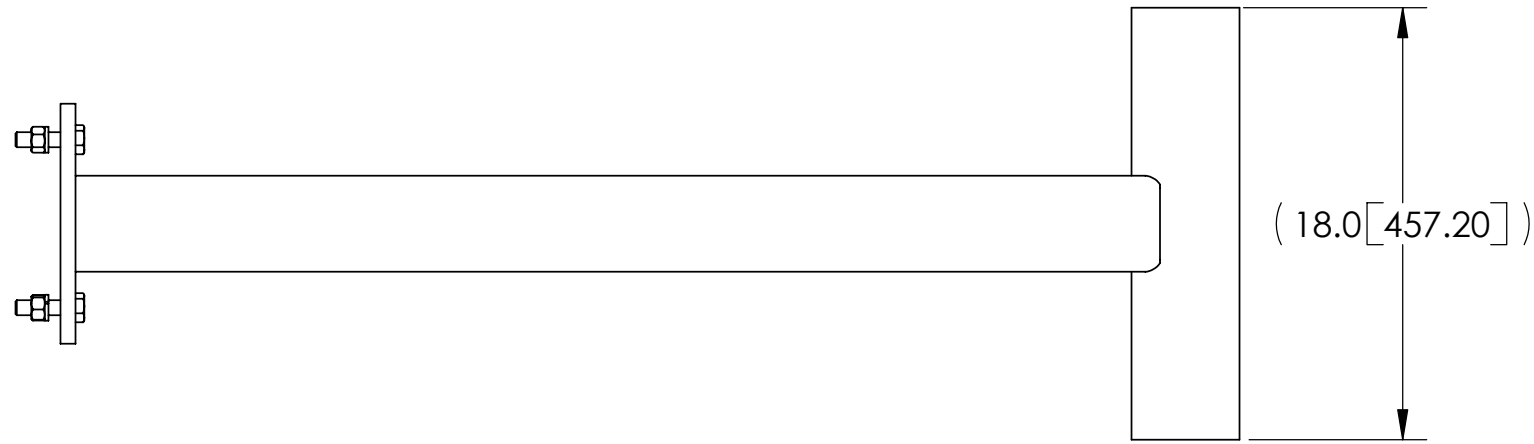
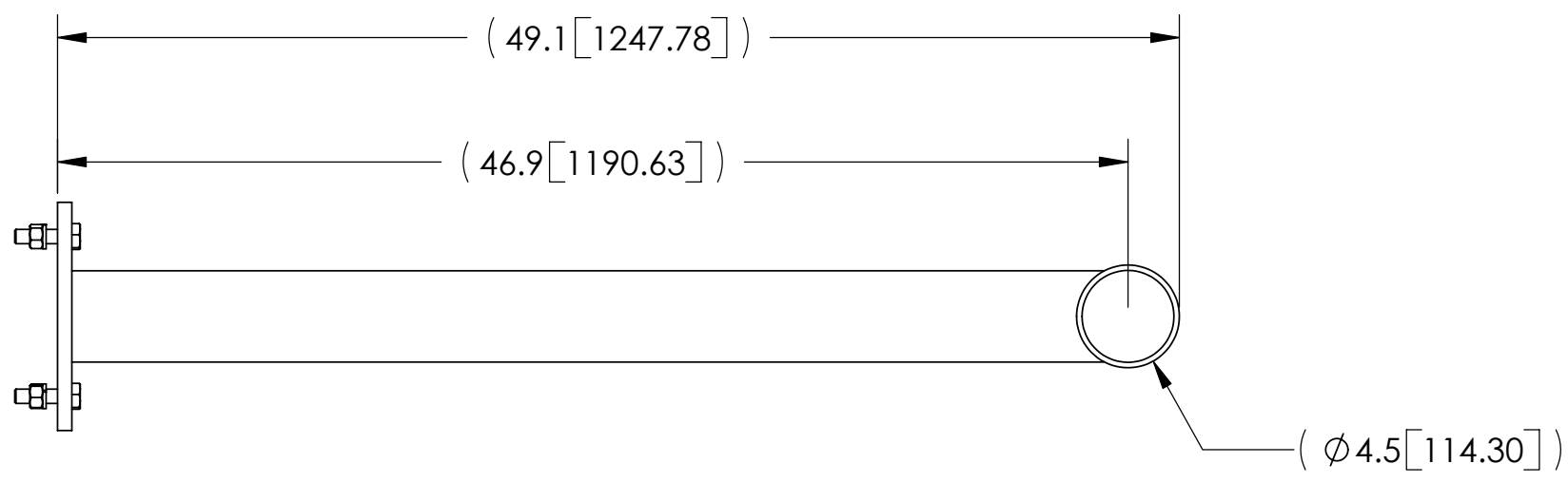
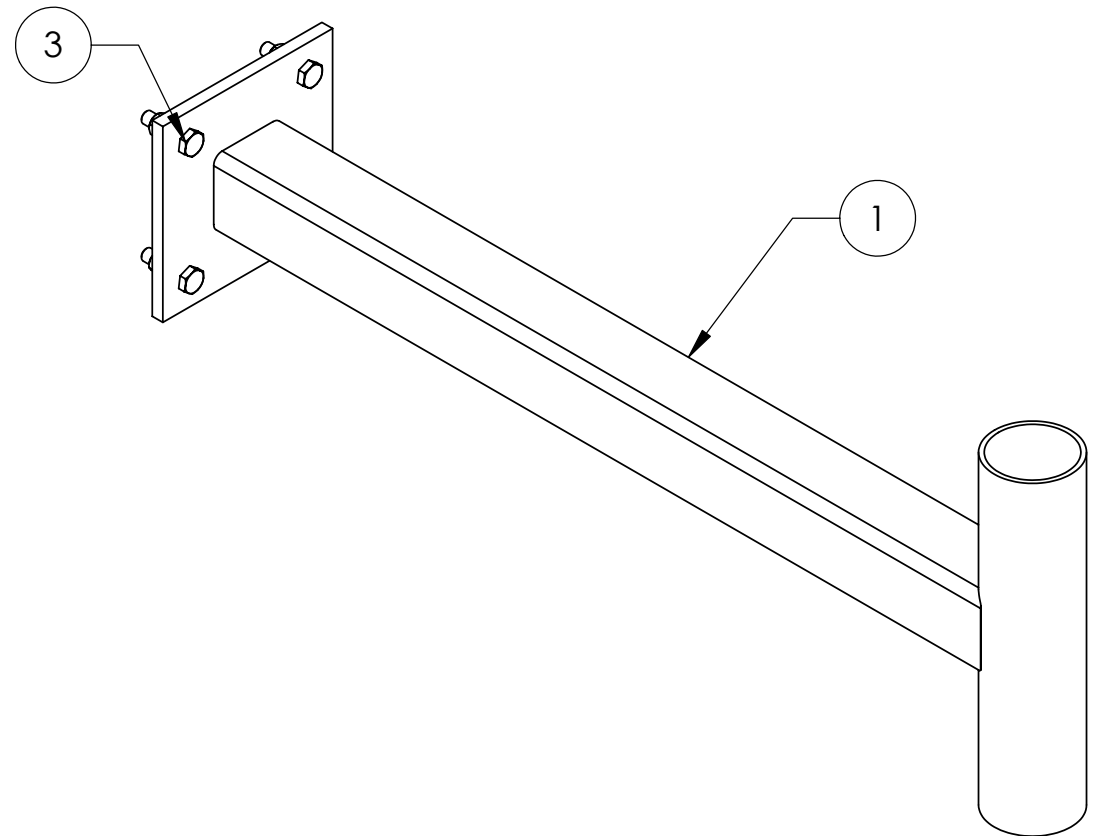



ITEM	PART NO.	DESCRIPTION	QTY.	WEIGHT
1	MT19748.01	SINGLE SUPPORT ARM	1	78.12 LBS
2	MT197H	HARDWARE KIT (ITEM 3)	1	
3	GB-0524A	5/8" X 2-1/2" GALV. BOLT KIT (A325)	4	0.34 LBS

REVISIONS				
REV.	ZONE	DESCRIPTION	BY	DATE
A		INITIAL RELEASE	LAP	03/23/01



NOTES:  
1. ALL METRIC DIMENSIONS ARE IN BRACKETS.

These drawings and specifications are the proprietary property of ANDREW CORPORATION and may be used only for the specific purpose authorized in writing by Andrew Corporation.  ALL DIMENSIONS ARE IN INCHES U.O.S. TOLERANCES UNLESS OTHERWISE SPECIFIED: .X = ± .06      ANGLES      ±2° .XX = ± .03      FRACTIONS      ±1/32 .XXX = ± .010  REMOVE BURRS AND BREAK EDGES .005  DO NOT SCALE THIS PRINT	DRAWN BY: ACG	SHEET: 1 of 1	PART NUMBER: MT-197-48
	CHECKED BY: TP	SCALE: NTS	DESCRIPTION: SINGLE SUPPORT ARM KIT
	DATE: 03/10/06	MATERIAL: A36, A500	DRAWING TYPE: ASSEMBLY DRAWING
	REVISION: A	FINISH: GALV A123  WEIGHT: 79.83 LBS	 ORLAND PARK, IL. 60462 U.S.A.