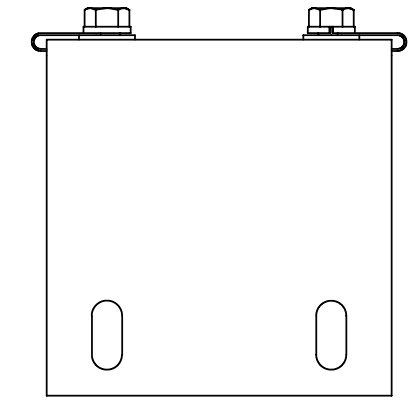
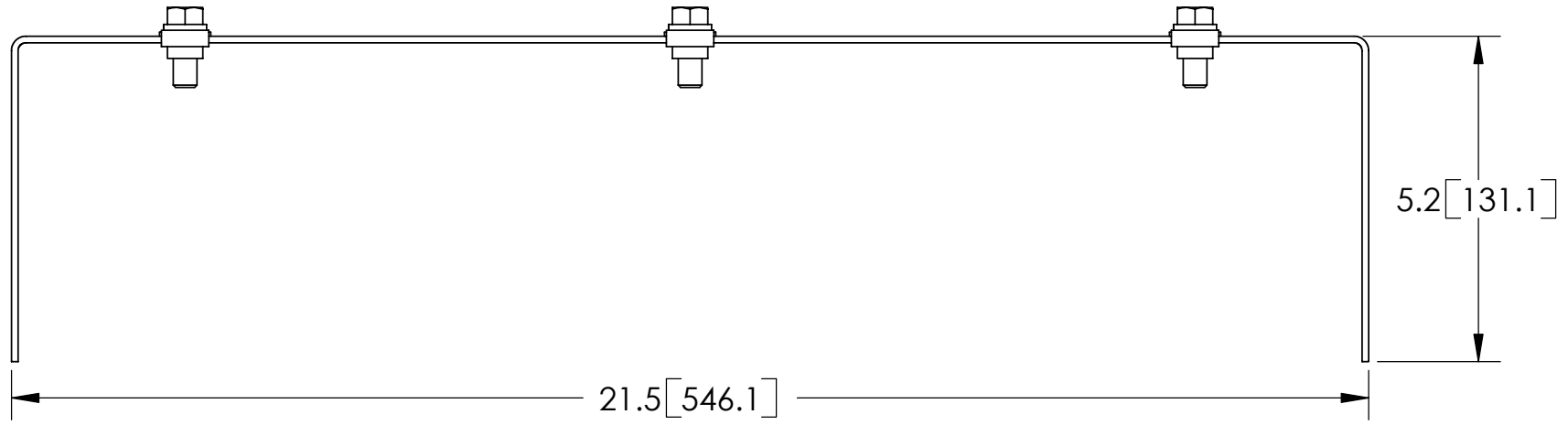
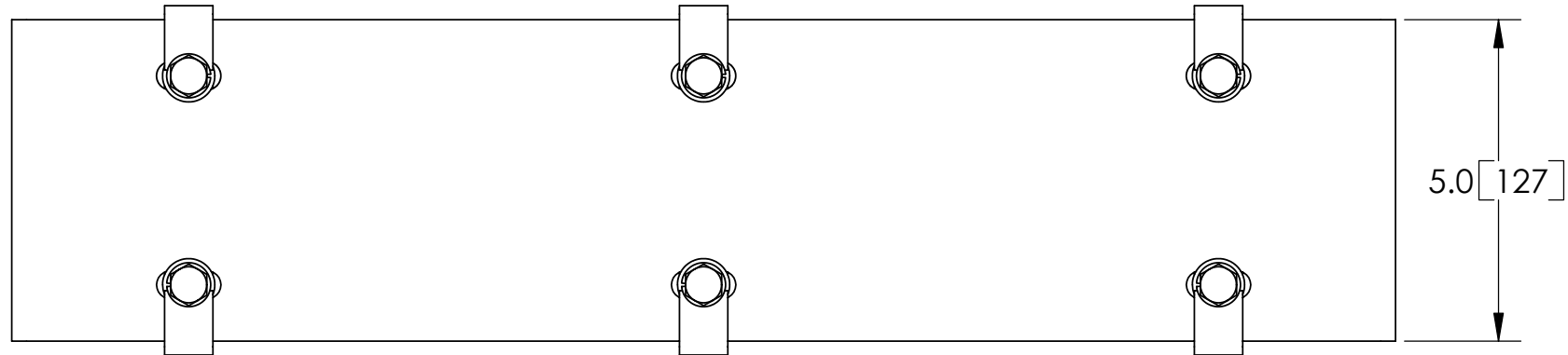
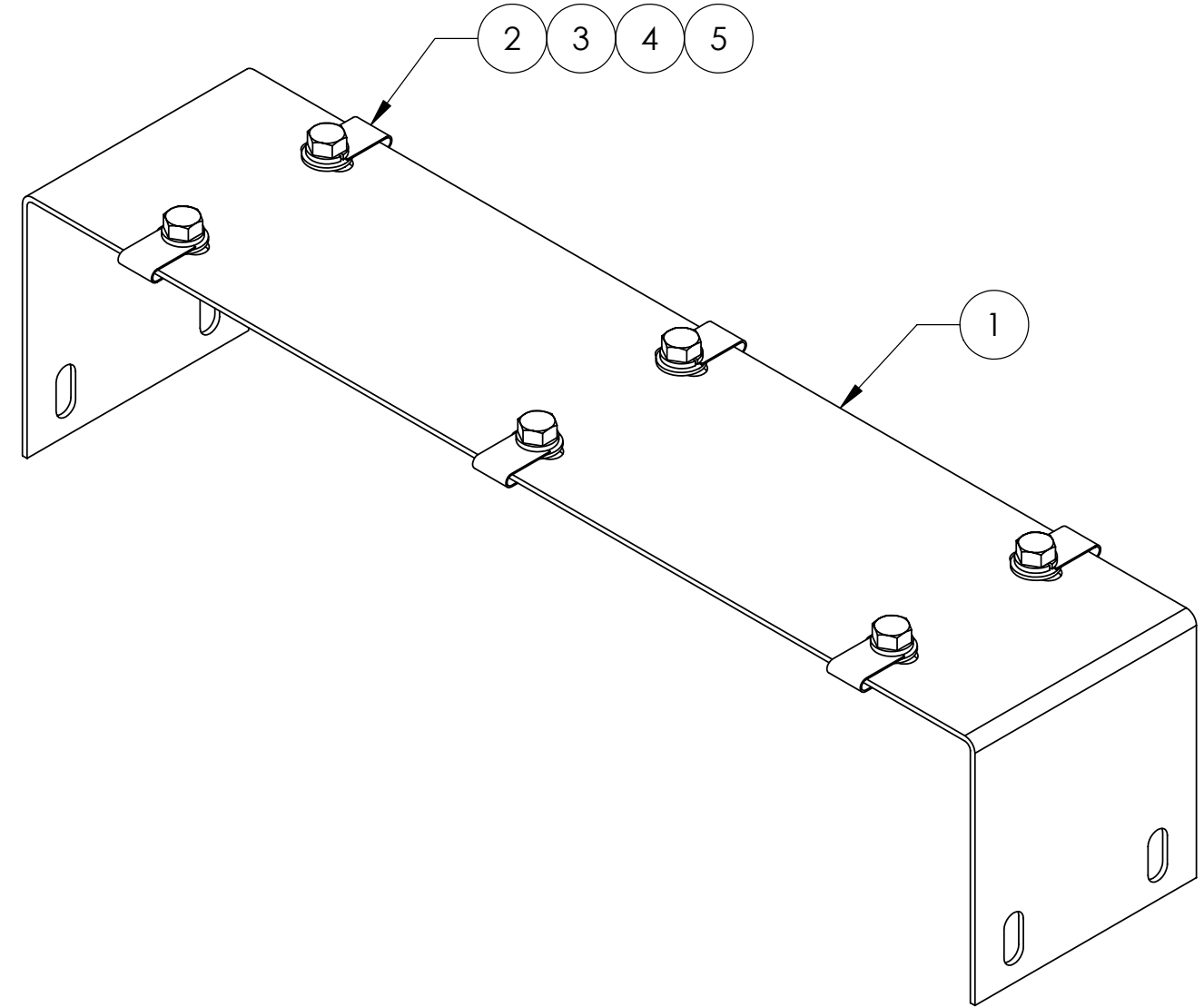



ITEM	PART NO.	DESCRIPTION	QTY.	WEIGHT
1	MTF1608.01	SPLICE PLATE (8 RUN COAX)	1	4.52 LBS
2	MTF1591.05	NUT 3/8" GALV. "J" RETAINER	6	0.03 LBS
3	SB-0310	3/8" X 1" SS BOLT KIT	6	0.05 LBS
4	SWL-03	3/8" SS LOCK WASHER	6	0.01 LBS
5	SWF-03	3/8" SS FLAT WASHER	6	0.01 LBS

REVISIONS				
REV.	ZONE	DESCRIPTION	BY	DATE
A		INITIAL RELEASE	DMW	04/30/01
B		REDRAWN IN SOLIDWORKS	ACG	08/30/06



NOTES:
1. ALL METRIC DIMENSIONS ARE IN BRACKETS.

<small>These drawings and specifications are the proprietary property of ANDREW CORPORATION and may be used only for the specific purpose authorized in writing by Andrew Corporation.</small> ALL DIMENSIONS ARE IN INCHES U.O.S. TOLERANCES UNLESS OTHERWISE SPECIFIED: .X = ± .06 ANGLES ±2° .XX = ± .03 FRACTIONS ±1/32 .XXX = ± .010 REMOVE BURRS AND BREAK EDGES .005 DO NOT SCALE THIS PRINT	DRAWN BY: ACG	SHEET: 1 of 1	PART NUMBER: MT-FI608
	CHECKED BY: TP	SCALE: NTS	DESCRIPTION: SPLICE FOR 4 RUN WALL KIT
	DATE: 08/30/06	MATERIAL: A568	DRAWING TYPE: ASSEMBLY DRAWING
	REVISION: B	FINISH: GALV A123 WEIGHT: 5.07 LBS	 ORLAND PARK, IL. 60462 U.S.A.