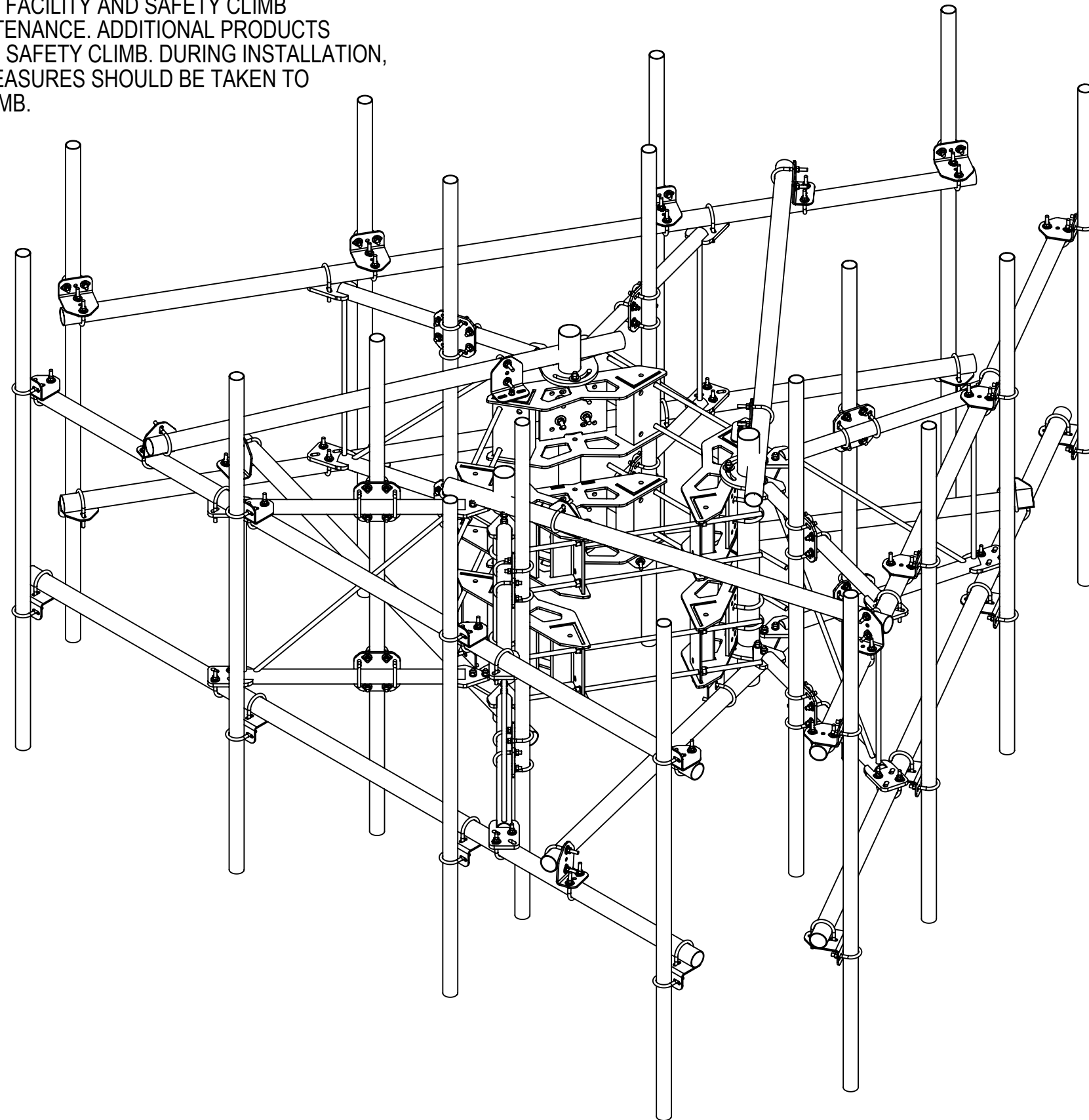


NOTES:

- 1.0 GENERAL
 - 1.1 ALL METRIC DIMENSIONS ARE IN BRACKETS
 - 1.2 FOR PATENTS, SEE WWW.CS-PAT.COM
- 2.0 DESIGN NOTES
 - 2.1 ANY HAZARDS OR OBSTRUCTIONS TO THE CLIMBING FACILITY AND SAFETY CLIMB MUST BE IDENTIFIED PRIOR TO INSTALLING THE APPURTENANCE. ADDITIONAL PRODUCTS MAY BE REQUIRED TO MAINTAIN THE INTEGRITY OF THE SAFETY CLIMB. DURING INSTALLATION, TEMPORARY AND/OR PERMANENT PRECAUTIONARY MEASURES SHOULD BE TAKEN TO PRESERVE THE CLIMBING FACILITY AND/OR SAFETY CLIMB.
- 3.0 MANUFACTURING/SPECIAL REQUIRMENTS
- 4.0 TEST
- 5.0 PACKAGING

REVISIONS				
REV.	ECN	DESCRIPTION	BY	DATE
A	8000008462	INITIAL RELEASE	RJC	06/05/15
B	8000012212	REDESIGNED SECTOR FRAME ARM WELDMENT	DRR	01/22/16
C	8000019221	ADDED DIAGONALS TO ARM WELDMENTS, ADDED HK	DRR	01/18/17
D	8000024655	ADJUSTED WEIGHT OF MCG23PK KIT AND TOTAL	DRR	07/11/17
E	8000034255	CHG ARMS & PIPE; ADDED THE HD & HDX VERISION	RJC	03/29/19



MTC3752M3 SHOWN FOR REFERENCE

TOP LEVEL ZNSK COMPONENTS

PART NO.	DESCRIPTION	PACK KIT	RING MOUNT	PIPE BUNDLE	WEIGHT (LBS)
MTC3752M3	SFG 3 SECTOR FRAME MONOPOLE KIT	MTC3752M3PK	MC-RM1550-3D	PB1808A0612B0607B	1949
MTC3752M3HD	SFG 3 SECTOR FRAME MONOPOLE KIT-HD	MTC3752M3PK	MC-RM1550-3D	PB1808A0607B0612K	2123
MTC3752M3HDX	SFG 3 SECTOR FRAME MONOPOLE KIT-HDX	MTC3752M3HDXPK	MC-RM1550-3D	PB0608A1808B0612K	2185

PATENT PENDING

PACK KIT COMPONENTS

PACK KIT	CROSSOVER KIT	HARDWARE KIT
MTC3752M3PK	XA20304 (QTY 3)	MTC3752M3HK1
MTC3752M3HDXPK	XA30304 (QTY 3)	MTC3752M3HK1

PIPE BUNDLE TABLE

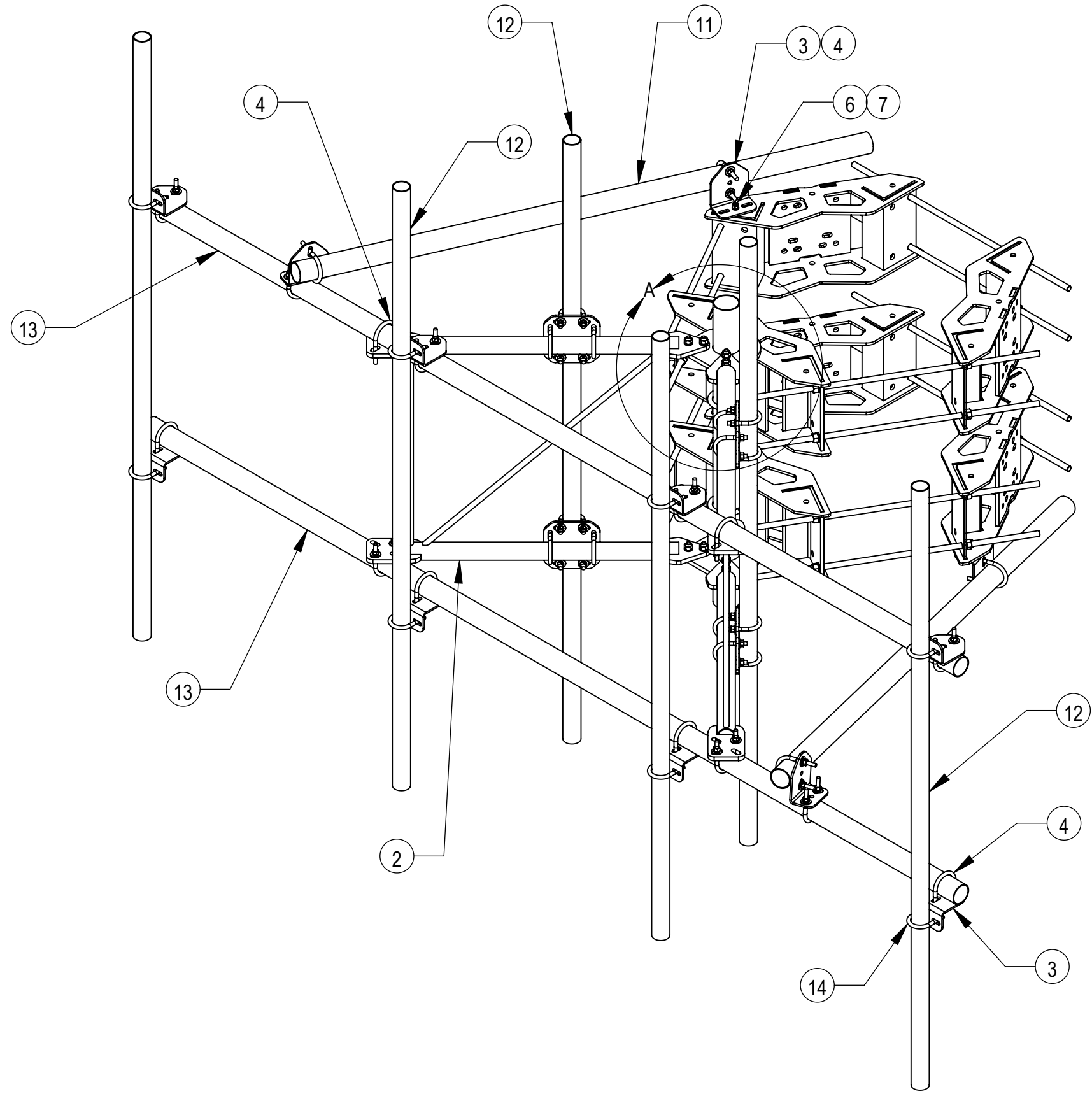
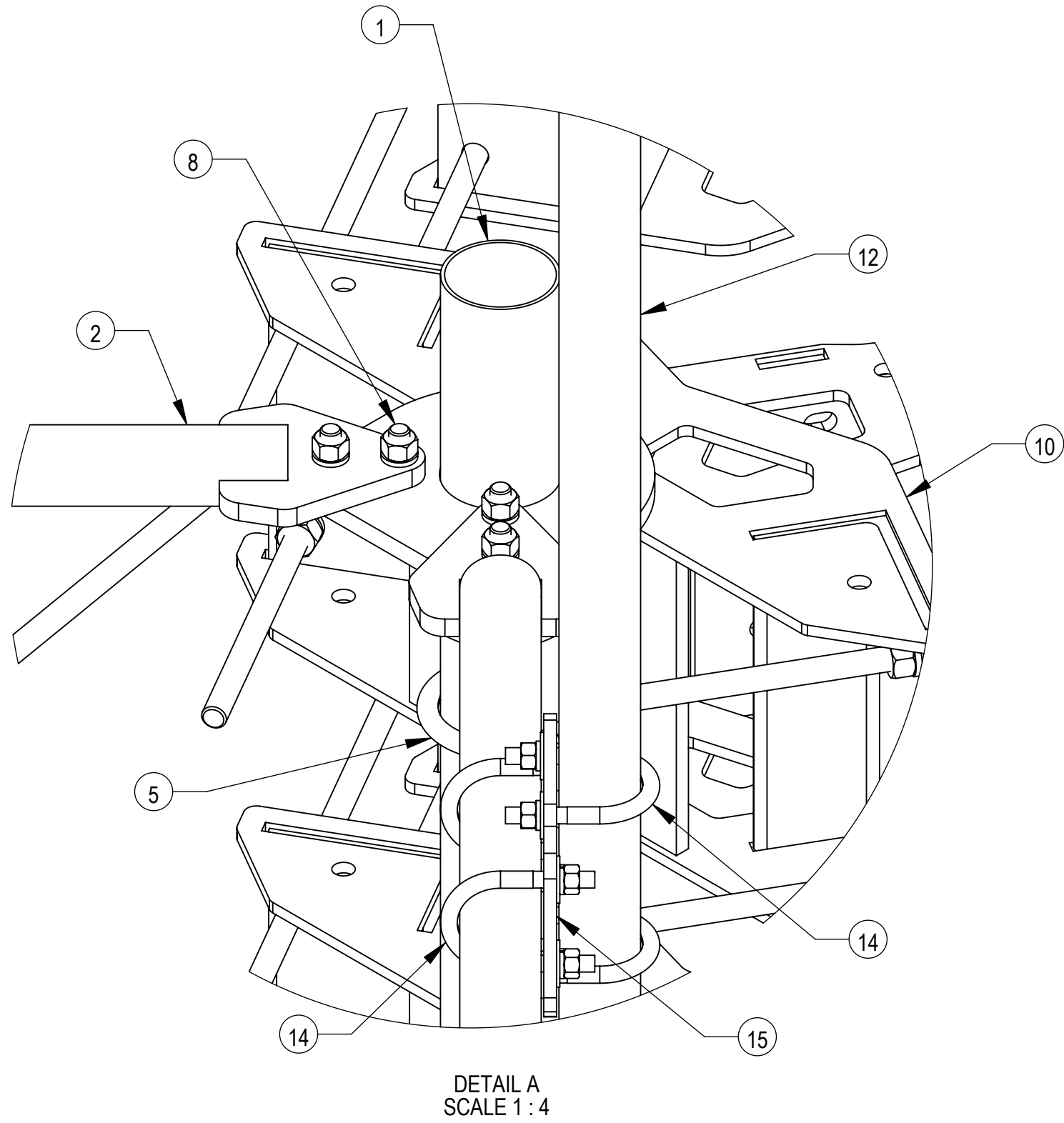
PIPE BUNDLE	FACE PIPE	ANTENNA PIPE	TIEBACK PIPE	RADIO PIPE
PB1808A0612B0607B	MT546150120	MT-651-96	MT546084120	MT-651-96
PB1808A0607B0612K	MT-546-150	MT-651-96	MT546084120	MT-651-96
PB0608A1808B0612K	MT-546-150	MT54696120	MT54696120	MT-651-96

DENSITY	lbs/in ³
MASS	lbs
VOLUME	in ³
SURFACE AREA	in ²
HEIGHT	
LENGTH	
WIDTH	

COMMSCOPE, INC. OF NORTH CAROLINA

TOLERANCES		SAP MATERIAL MASTER	
0 PLACE X ± 0.25	2 PLACE .XX ± 0.06	SEE TABLE	
1 PLACE .X ± 0.12	ANGLES ± 2°		
FINISH GALV A123		MATERIAL A500, A529, A572, A1011/A1018	
UNLESS OTHERWISE SPECIFIED DIMENSIONS ARE IN INCHES INTERPRET PER ANSI Y 14.5M-1994	NAME	DATE	TITLE
	CE RJC	01/11/19	SFG 3 SECTOR FRAME MONOPOLE KIT
	RW RD1048	04/08/2019	
	RV		
	AD RD1048	04/08/2019	
RE RD1048	04/08/2019		
ECN 008000033016		SCALE	DOCUMENT NO.
		1:20	MTC3752M3
SIZE	WORK AREA 24	MODEL	
C		VERSION	DRAWING
		00	RE
		STATUS	REVISION
		RE	F
		VERSION	STATUS
		00	RE
		REVISION	REVISION
		E	E
			SHEET
			1 OF 7

NOTES:



ITEM	PART NO.	DESCRIPTION	QTY.	WEIGHT	NOTE NO.
1	SFG2270	BACK VERTICAL ARM MOUNT	3	36.90 LBS	
2	SFG2278	ARM, STANDOFF - SFG22	6	40.92 LBS	
3	XAU01	ANGLE, CROSSOVER, 1.9-3.5" X 1.9-3.5" OD	36	2.98 LBS	
4	GUB-4352	1/2" X 3" X 5-1/4" GALV U-BOLT	54	0.71 LBS	
5	GUB-53560	5/8" X 3-5/8" X 6" GALV U-BOLT	12	1.30 LBS	
6	GB-04145	1/2" X 1-1/2" GALV BOLT KIT	6	0.13 LBS	
7	GWF-04	1/2" GALV FLAT WASHER	6	0.03 LBS	
8	GB-05225	5/8" X 2-1/4" GALV BOLT KIT	30	0.28 LBS	
9	GWF-05	5/8" GALV FLAT WASHER	6	0.06 LBS	
10	MC-RM1550-3	12" - 50" OD RINGMOUNT	2	230.13 LBS	
11	MT546084120	2.88" OD X .120" WALL X 84" LONG PIPE	6	24.81 LBS	SEE SHEET 1 PIPE BUNDLE TABLE
12	MT-651-96	Ø2.375" OD X 96" PIPE	18	23.05 LBS	SEE SHEET 1 PIPE BUNDLE TABLE
13	MT546150120	Ø2.875" X 150" LG PIPE	6	44.29 LBS	SEE SHEET 1 PIPE BUNDLE TABLE
14	GUB-4240	1/2" X 2-1/2" X 4" GALV U-BOLT	72	0.56 LBS	
15	XPU01	PLATE, CROSSOVER, 1.9-3.5" X 1.9-3.5" OD	12	4.76 LBS	

**SINGLE SECTOR FRAME MTC3752M3
SHOWN FOR REFERENCE**

PATENT PENDING

COMMSCOPE, INC. OF NORTH CAROLINA			
TITLE SFG 3 SECTOR FRAME MONOPOLE KIT			
SIZE C	SCALE 1:16	DOCUMENT NO. MTC3752M3	
DRAWING		VERSION	REVISION
		03	RE
SHEET			2 OF 7

4

3

2

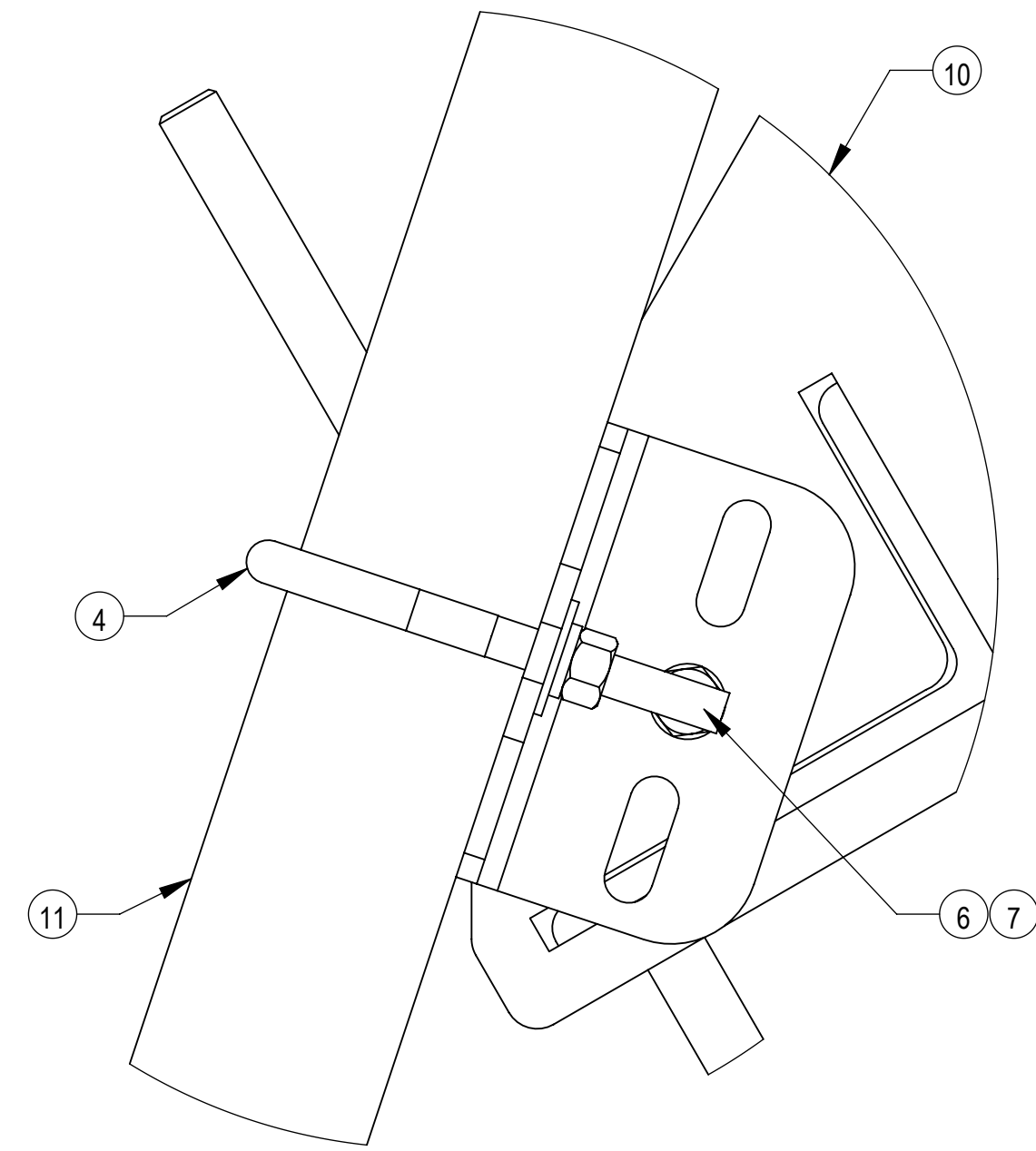
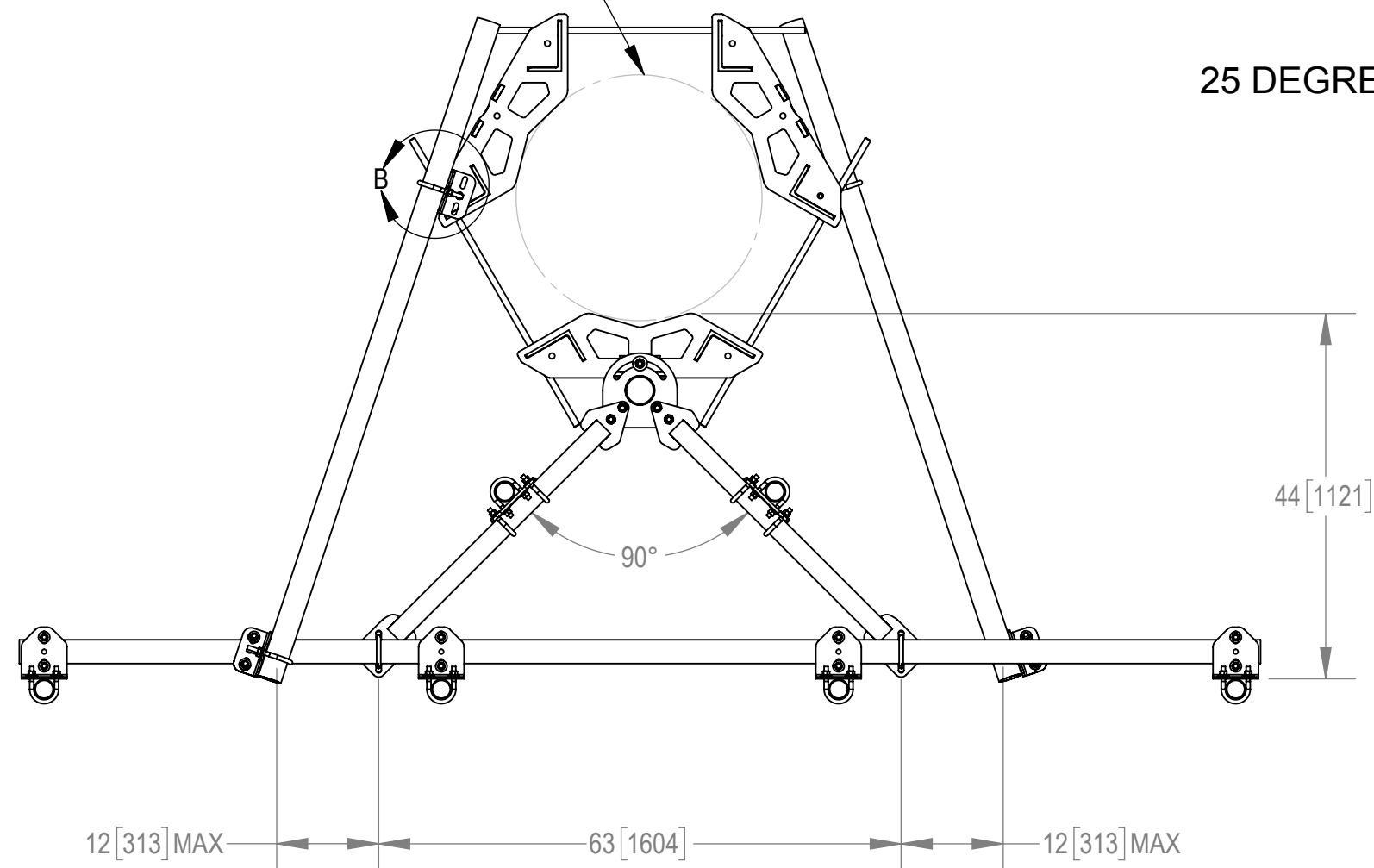
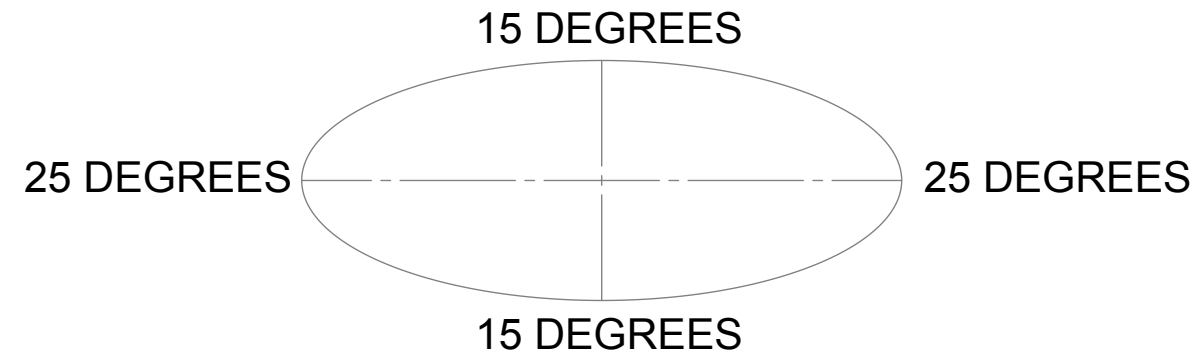
1

NOTES:

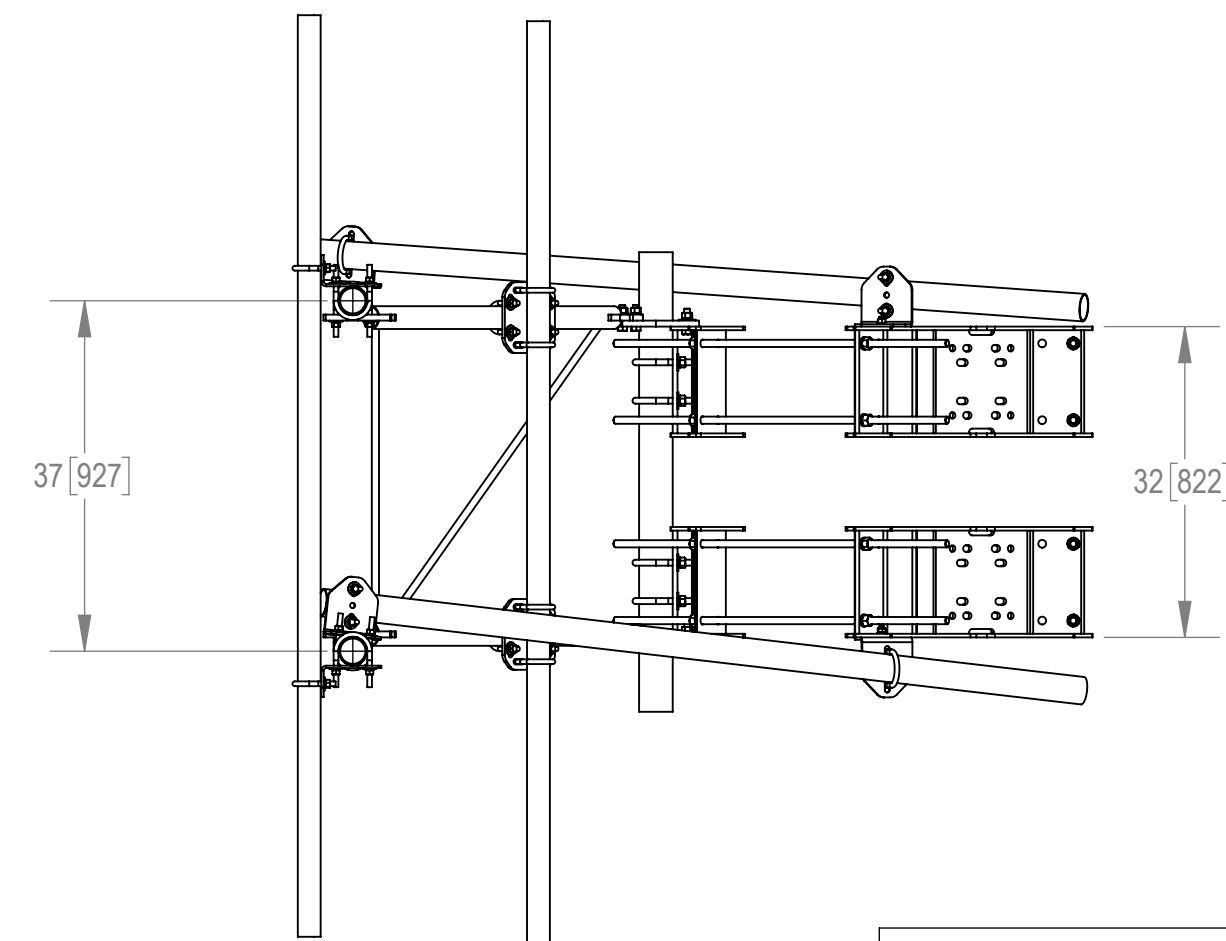
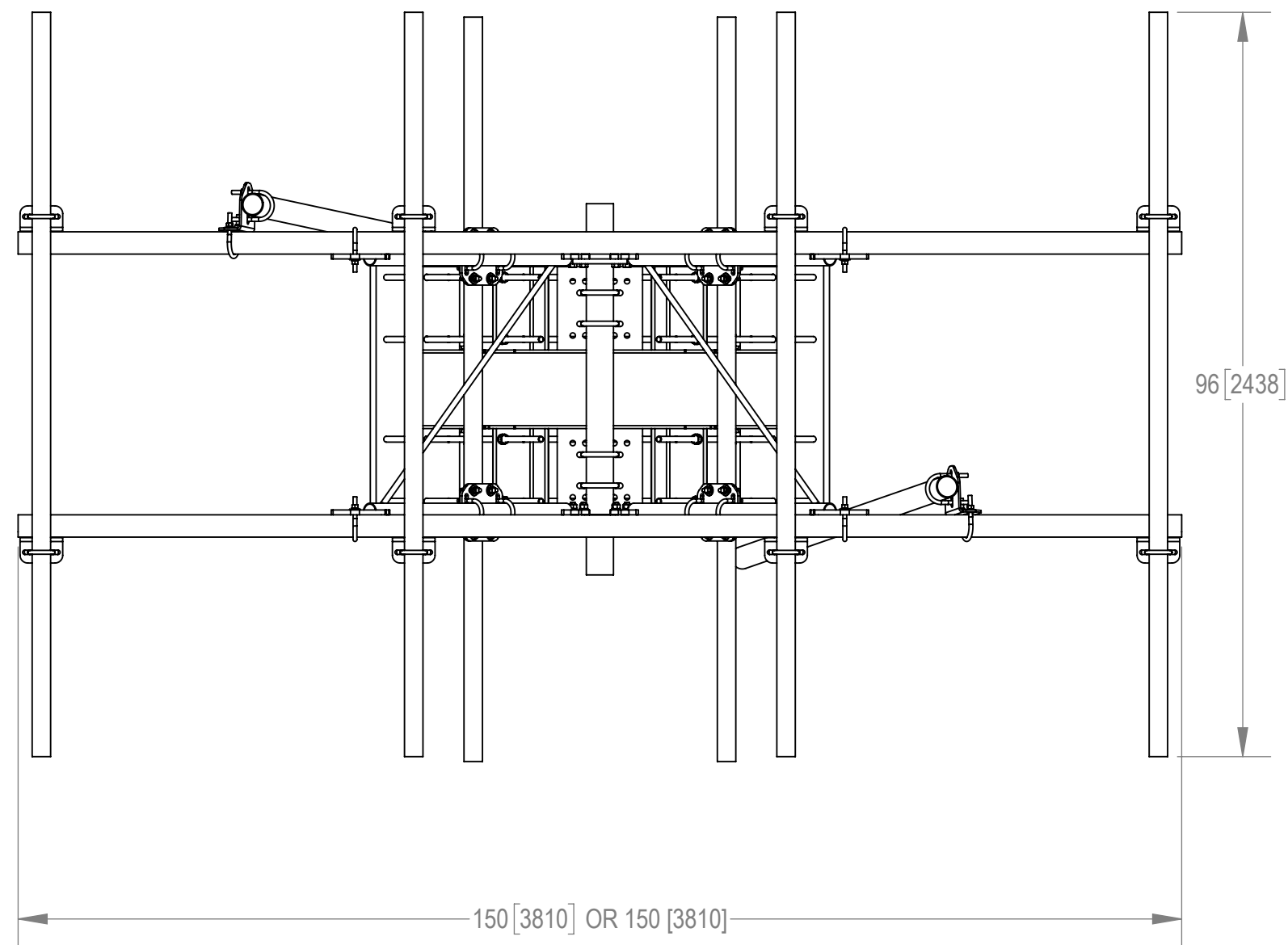
12'6" FACE MODELS: ϕ 12" - 50" POLE
14'6" FACE MODELS: ϕ 24" - 50" POLE

ALLOWABLE TIEBACK ANGLE

± 15 DEGREES VERTICAL
 ± 25 DEGREES HORIZONTAL



DETAIL B
SCALE 1:2



SINGLE SECTOR OF "WLL" MODEL SHOWN FOR REFERENCE

PATENT PENDING

COMMSCOPE, INC. OF NORTH CAROLINA

TITLE
SFG 3 SECTOR FRAME MONOPOLE KIT

SIZE C	SCALE 1:20	DOCUMENT NO. MTC3752M3		
		DRAWING		SHEET
		VERSION	STATUS	REVISION
		03	RE	E
				SHEET 3 OF 7

© 2019 CommScope, Inc. Confidential

4

3

2

1

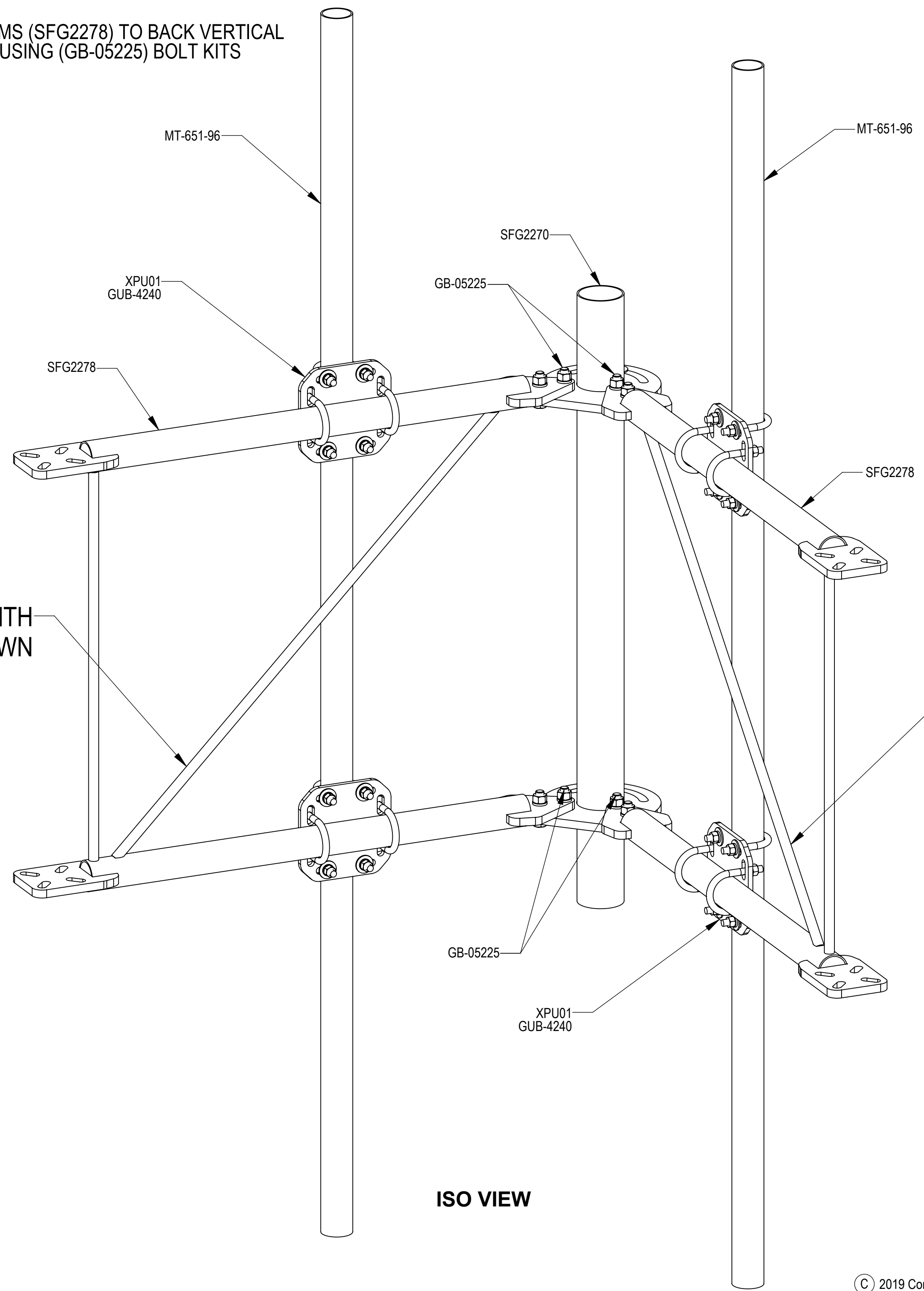
4

3

2

1

NOTES:
STEP 1: ATTACH STANDOFF ARMS (SFG2278) TO BACK VERTICAL
ARM MOUNT (SFG2270) USING (GB-05225) BOLT KITS



MUST BE INSTALLED WITH
DIAGONALS AS SHOWN

MUST BE INSTALLED WITH
DIAGONALS AS SHOWN

ISO VIEW

PATENT PENDING

COMMSCOPE, INC. OF NORTH CAROLINA

TITLE
SFG 3 SECTOR FRAME MONOPOLE KIT

SIZE C	SCALE 1:6	DOCUMENT NO. MTC3752M3
------------------	---------------------	----------------------------------

	DRAWING			SHEET 4 OF 7
	VERSION 03	STATUS RE	REVISION E	

© 2019 CommScope, Inc. Confidential

4

3

2

1

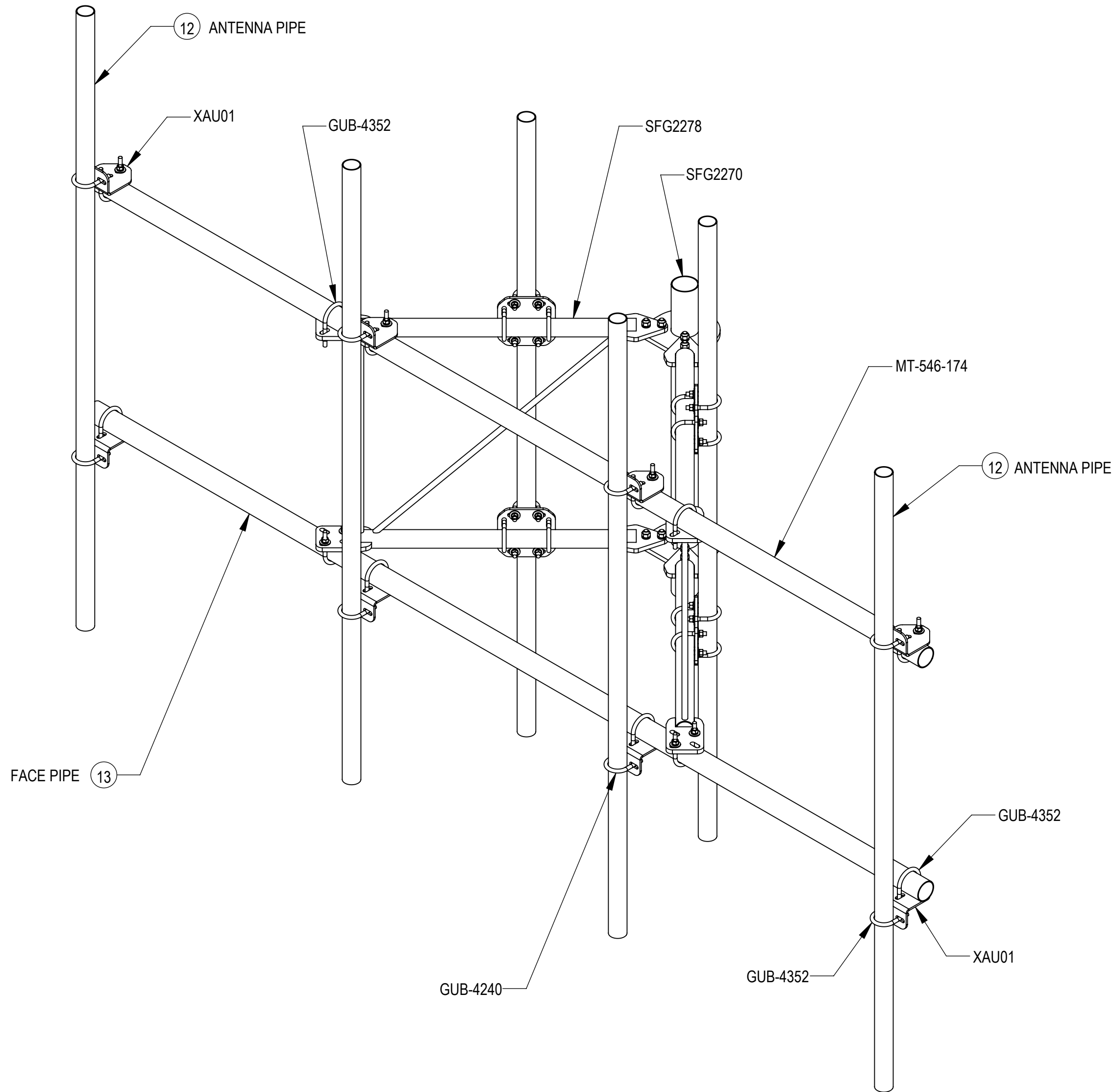
4

3

2

1

NOTES:
STEP 2: ATTACH FACE PIPES TO STANDOFF ARMS USING (GUB-4352) U-BOLTS AND THEN ATTACH ANTENNA PIPES USING (XAU01) CROSSOVER ANGLES AND (GUB-4240 & GUB-4352) U-BOLTS



ISO VIEW

PATENT PENDING

COMMSCOPE, INC. OF NORTH CAROLINA				
TITLE SFG 3 SECTOR FRAME MONOPOLE KIT				
SIZE C	SCALE 1:12	DOCUMENT NO. MTC3752M3		
		DRAWING		SHEET
		VERSION	STATUS	REVISION
		03	RE	E
				5 OF 7

© 2019 CommScope, Inc. Confidential

4

3

2

1

4

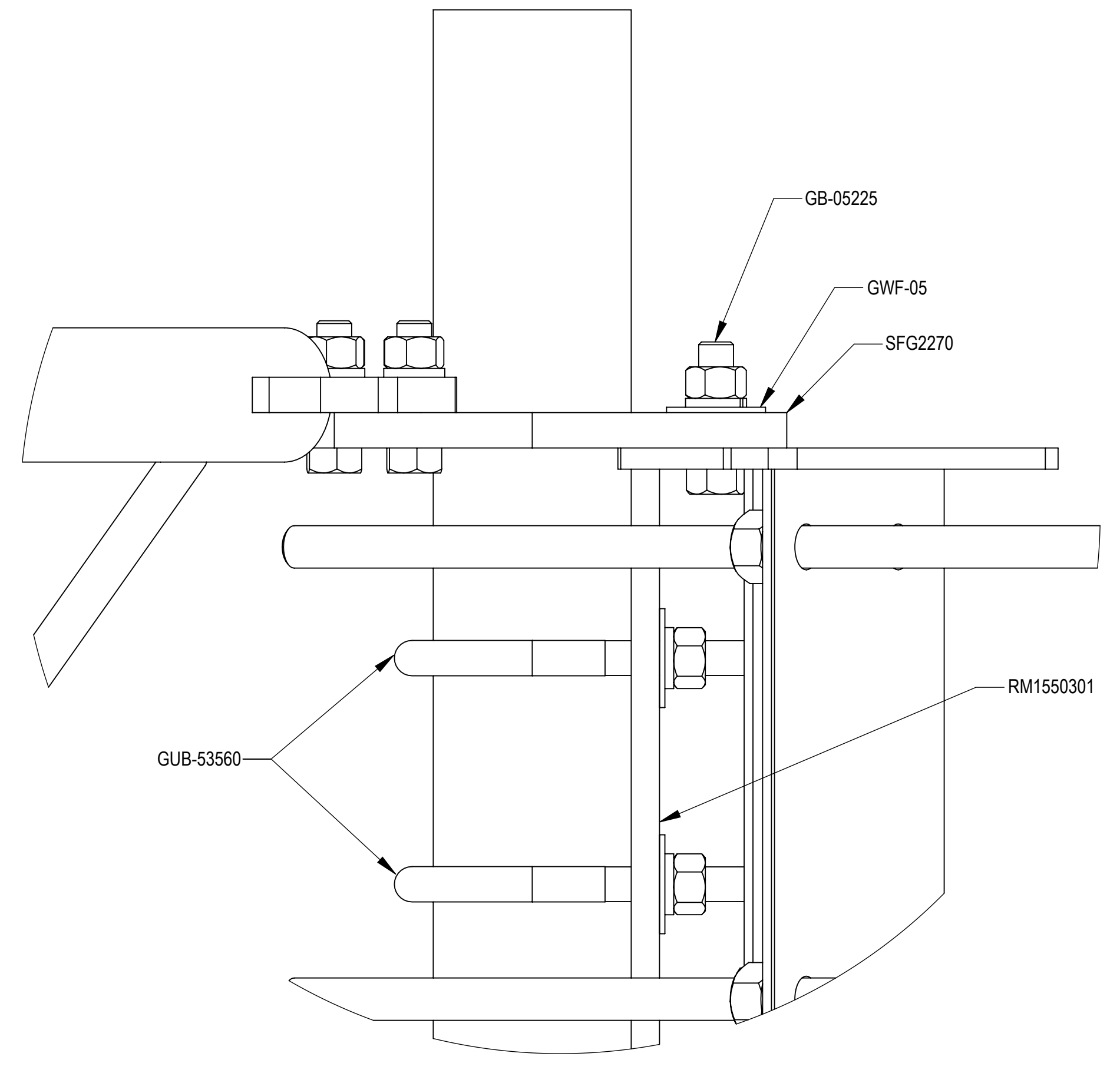
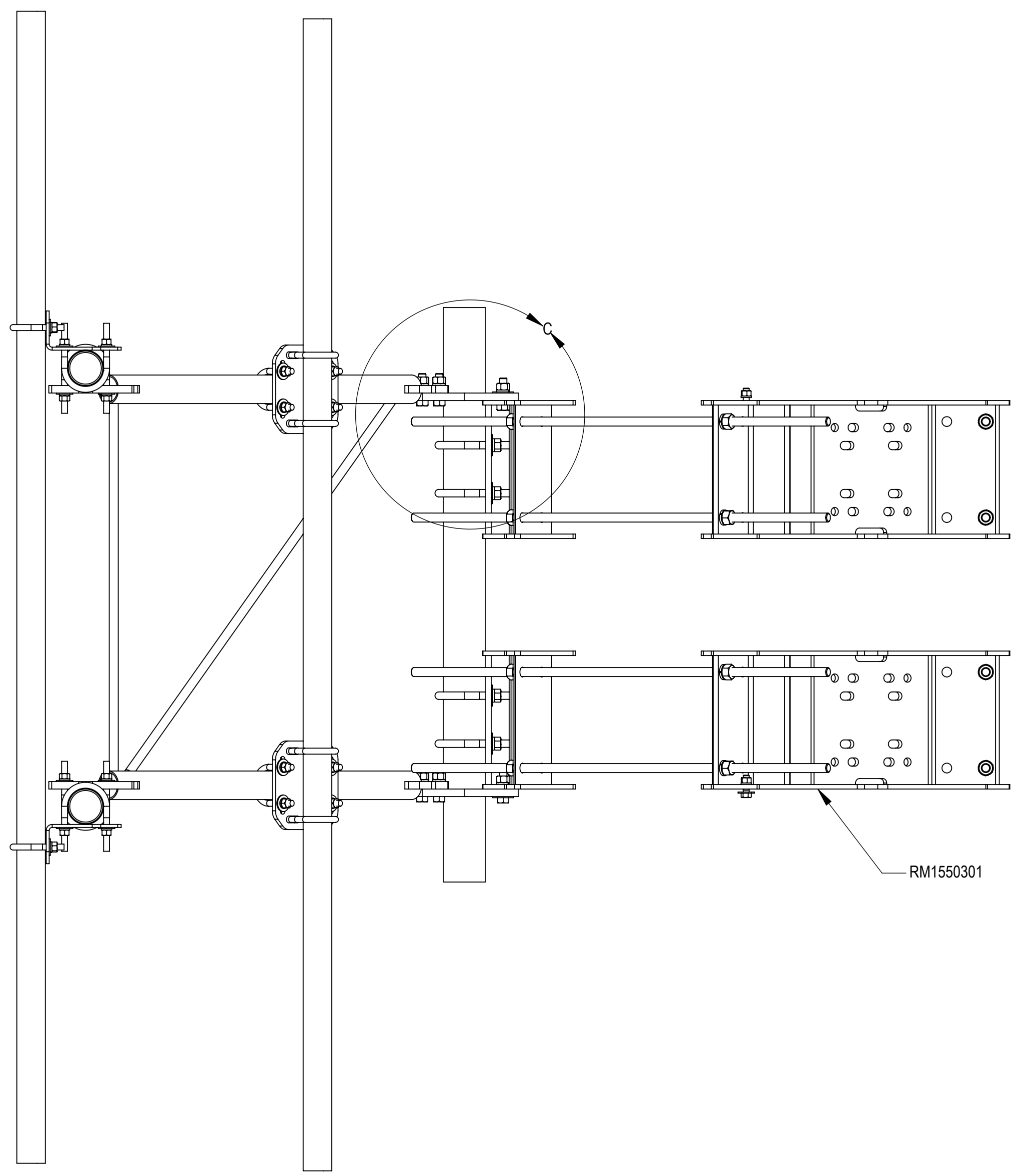
3

2

1

NOTES:

STEP 3: ATTACH BACK VERTICAL ARM MOUNT (SFG2270) TO RINGMOUNT USING BOLT KIT (GB-05225), FLAT WASHER (GWF-05) AND U-BOLT (GUB-53560)



DETAIL C
SCALE 1:2

PATENT PENDING

COMMSCOPE, INC. OF NORTH CAROLINA				
TITLE SFG 3 SECTOR FRAME MONOPOLE KIT				
SIZE C	SCALE 1:8	DOCUMENT NO. MTC3752M3		
		DRAWING		SHEET
		VERSION	STATUS	REVISION
		03	RE	E
				6 OF 7

© 2019 CommScope, Inc. Confidential

4

3

2

1

A

A

4

3

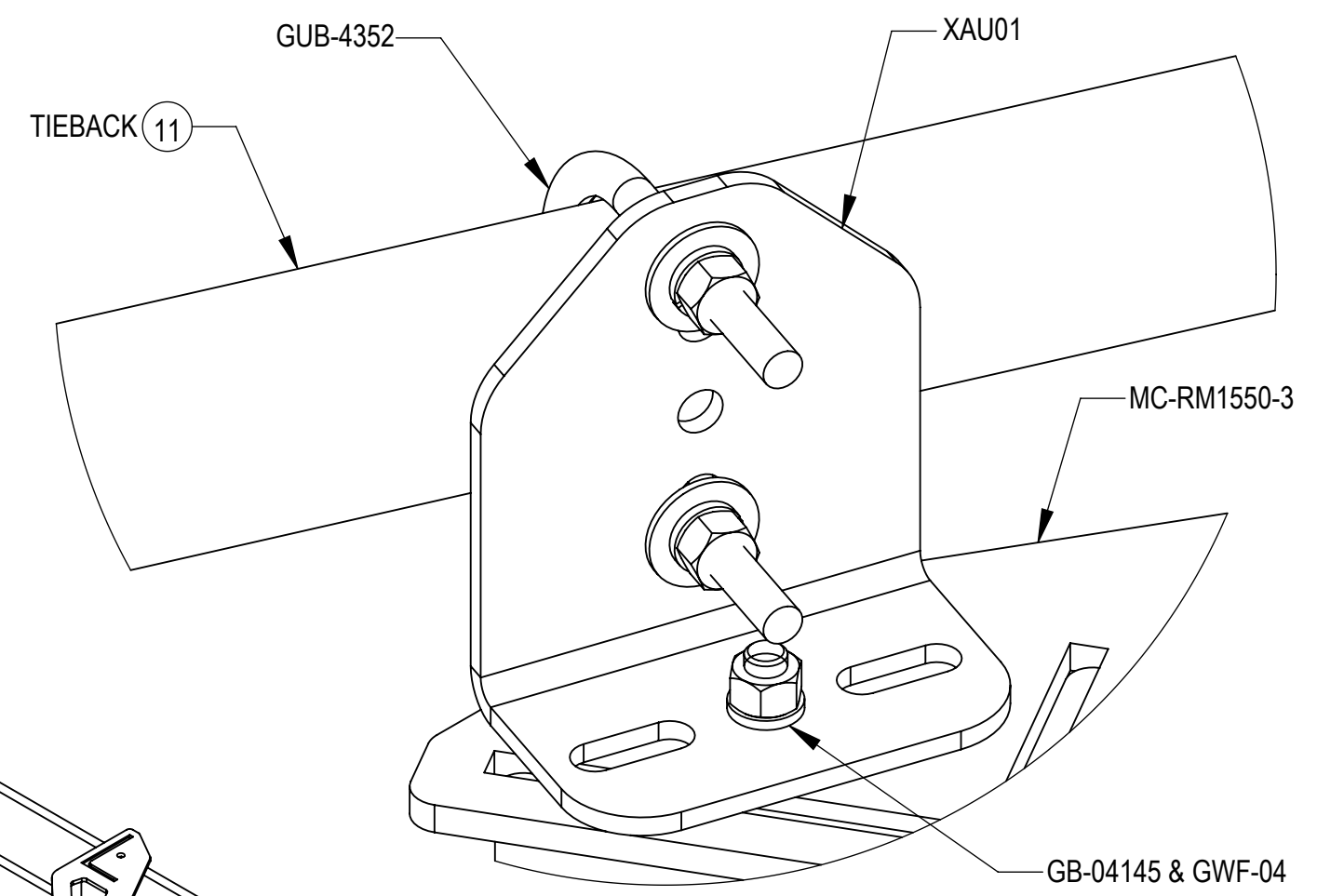
2

1

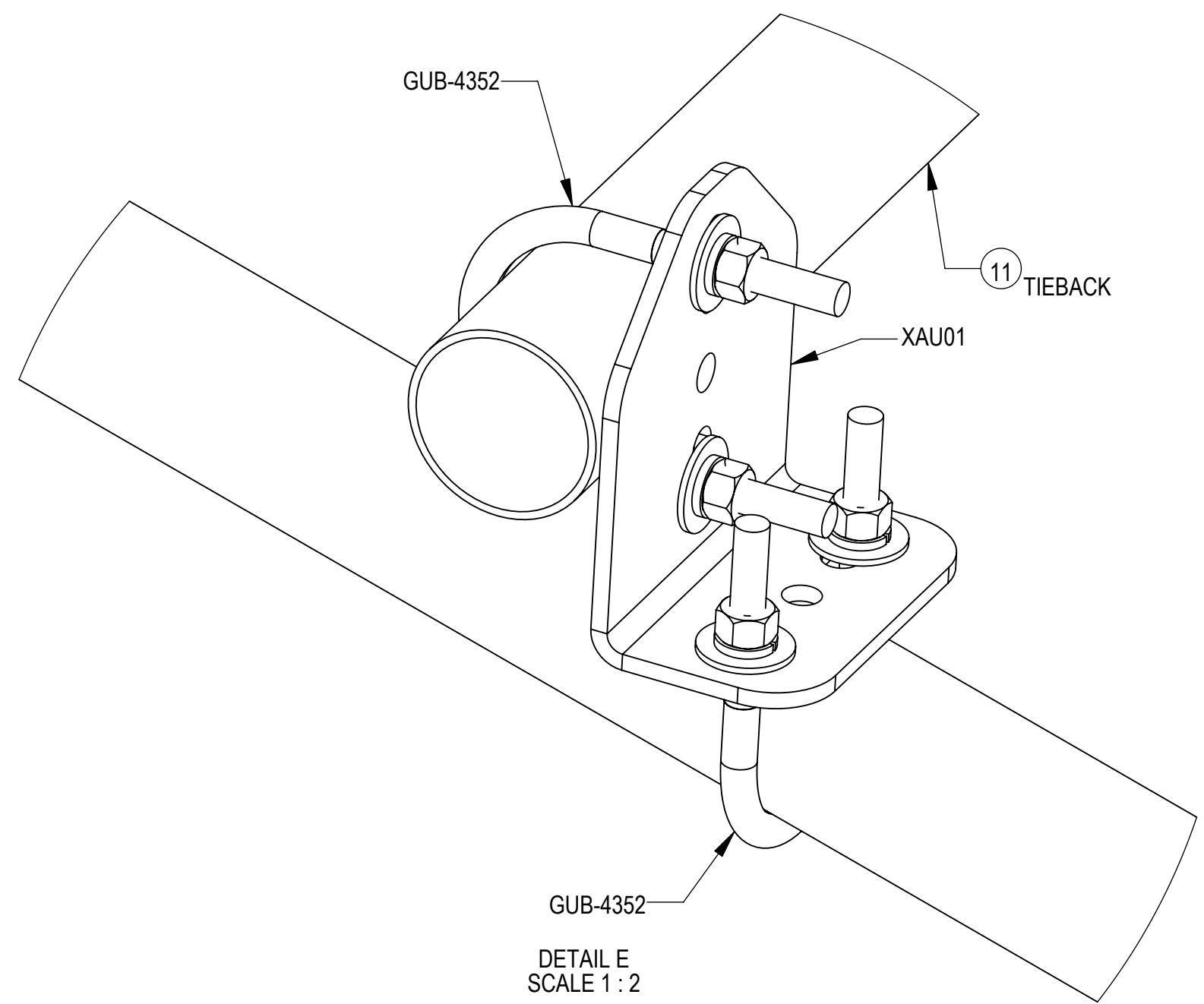
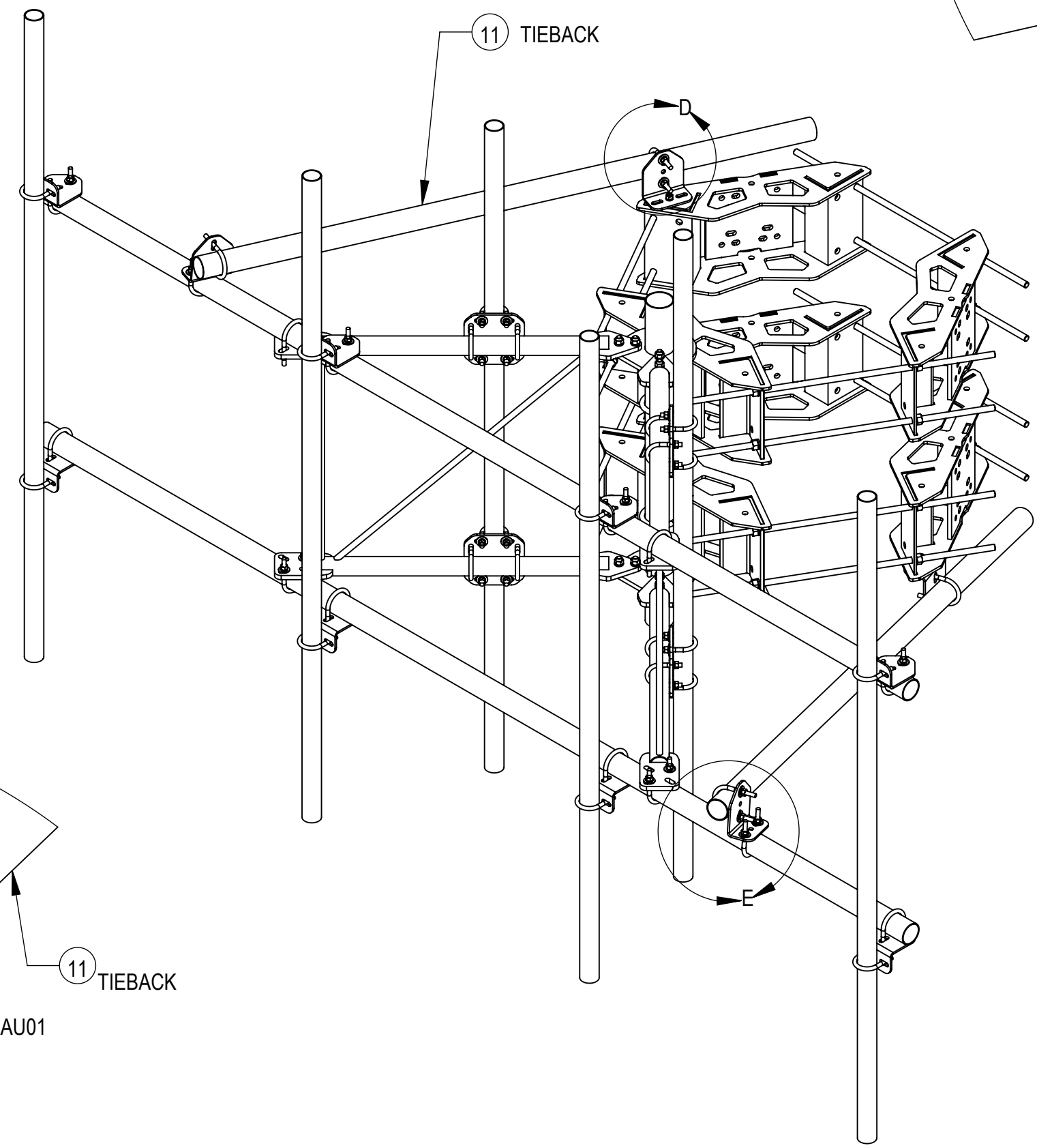
NOTES:

STEP 4: ATTACH TIE BACK PIPES (MT-651-96) TO FACE PIPES USING CROSSOVER ANGLES (XAU01) AND U-BOLTS (GUB-4240 & GUB-4352)

STEP 5: ATTACH TIE BACK PIPES (MT-651-96) TO RINGMOUNT (MC-RM1550-3) USING CROSSOVER ANGLES (XAU01), BOLT KIT (GB-04145), FLAT WASHER (GWF-04) AND U-BOLT (GUB-4240)



DETAIL D
SCALE 1:2



DETAIL E
SCALE 1:2

PATENT PENDING

COMMSCOPE, INC. OF NORTH CAROLINA				
TITLE SFG 3 SECTOR FRAME MONOPOLE KIT				
SIZE C	SCALE 1:16	DOCUMENT NO. MTC3752M3		
		DRAWING		SHEET 7 OF 7
		VERSION 03	STATUS RE	

4

3

2

1

D

D

C

C

B

B

A

A