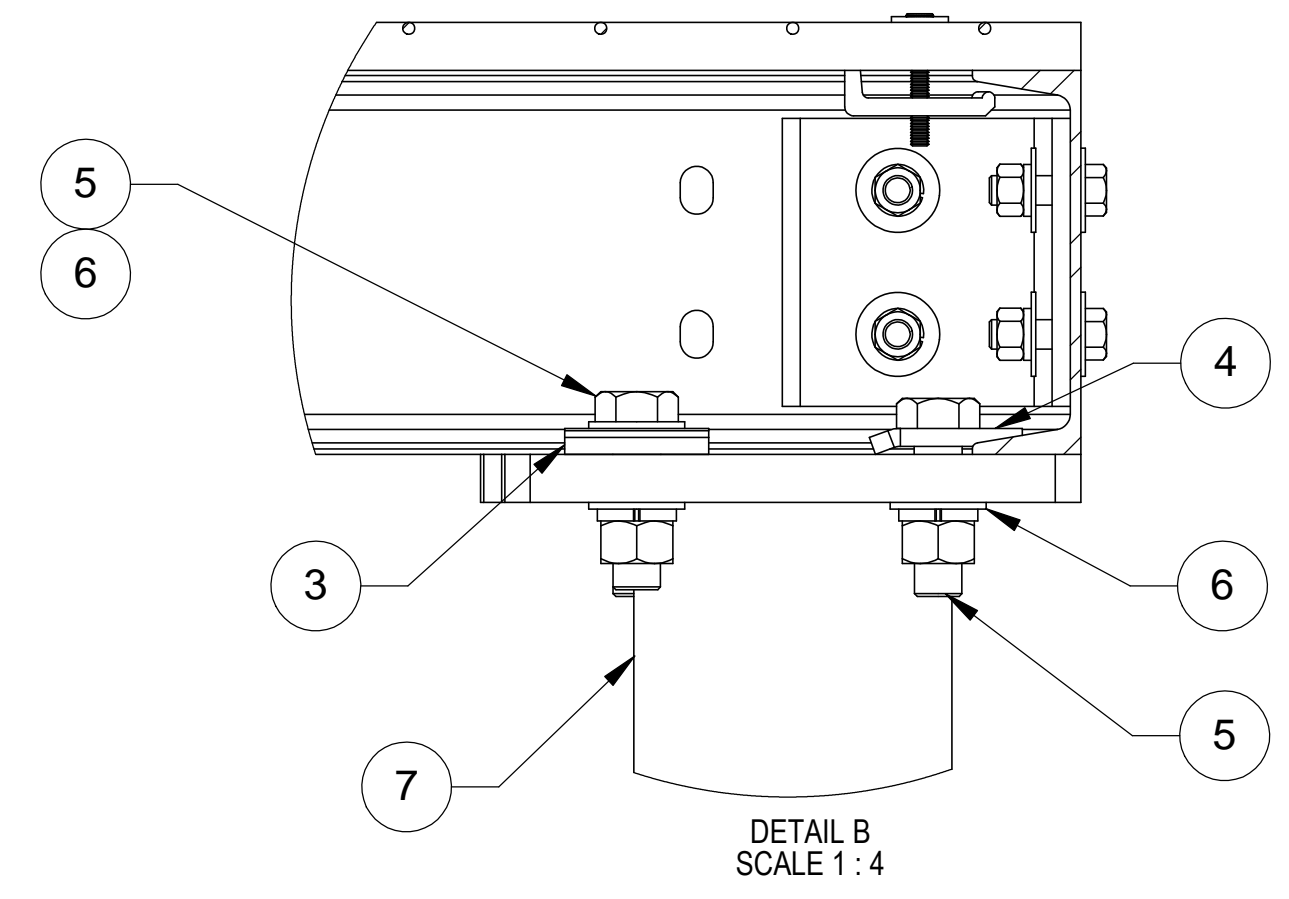
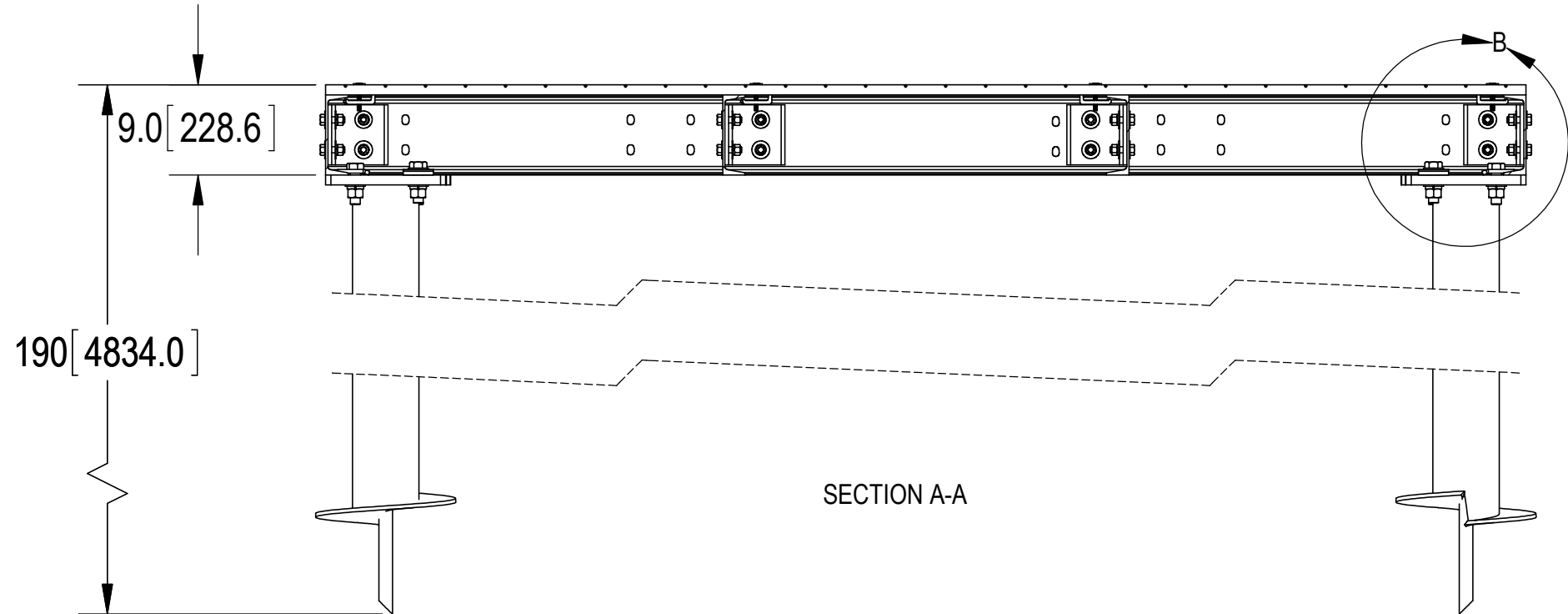
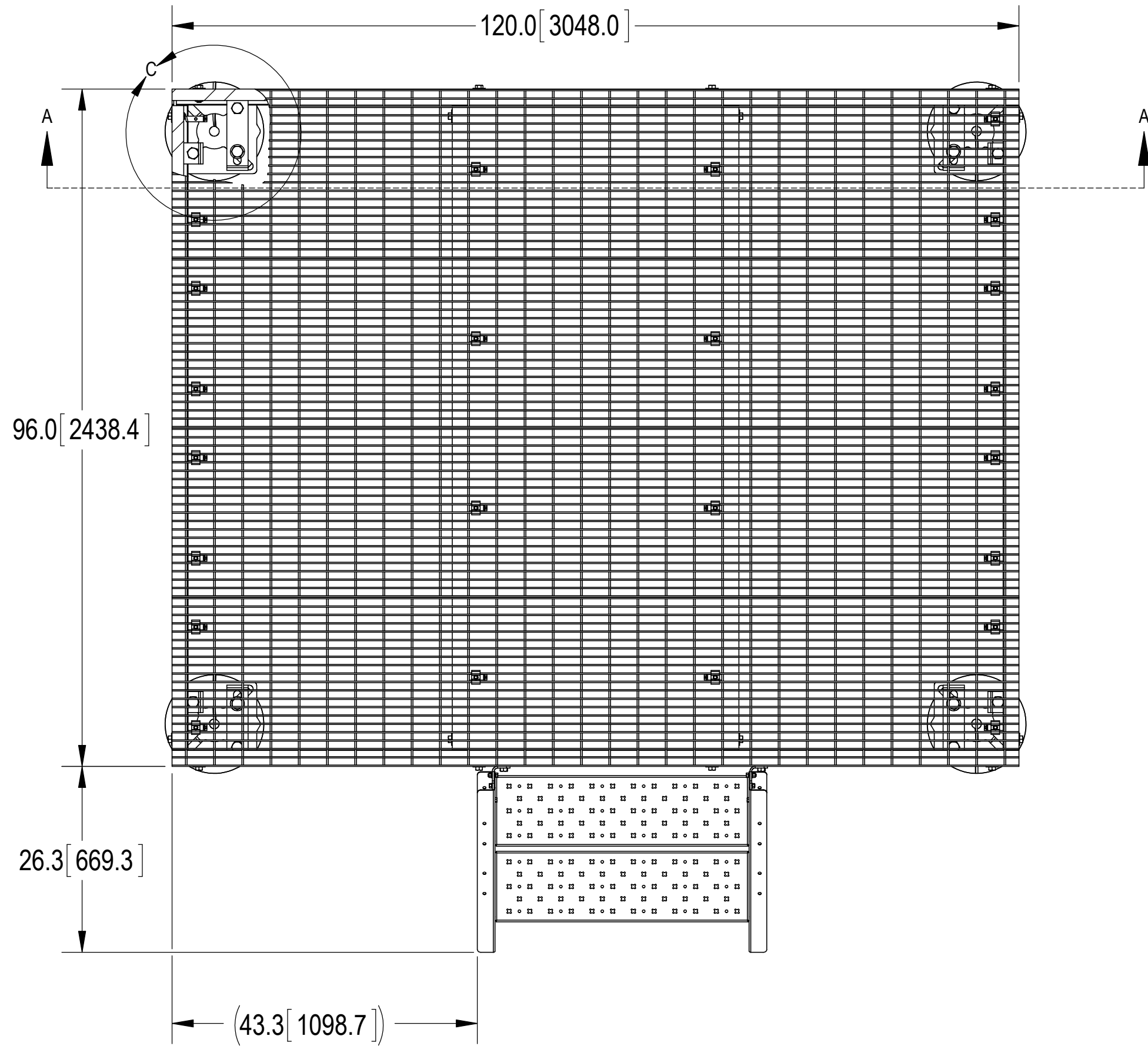
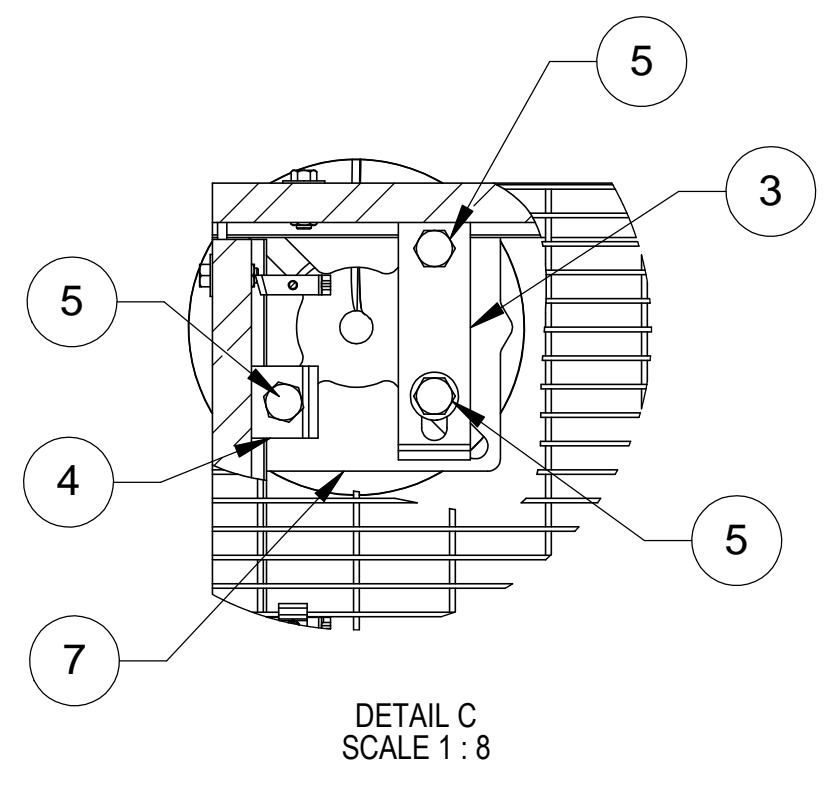

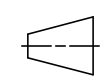


NOTES:
1.0 ALL METRIC DIMENSIONS ARE IN BRACKETS.



TYPICAL FOR EACH CORNER



COMMSCOPE, INC. OF NORTH CAROLINA				
TITLE 8X10 PLATFORM, 2-STEP, (4) 15' HLCL				
SIZE C	SCALE 1:16	DOCUMENT NO. MTC39791512		
DRAWING		VERSION	STATUS	REVISION
 				B
				SHEET 2 OF 4

4

3

2

1

NOTES:

D

D

C

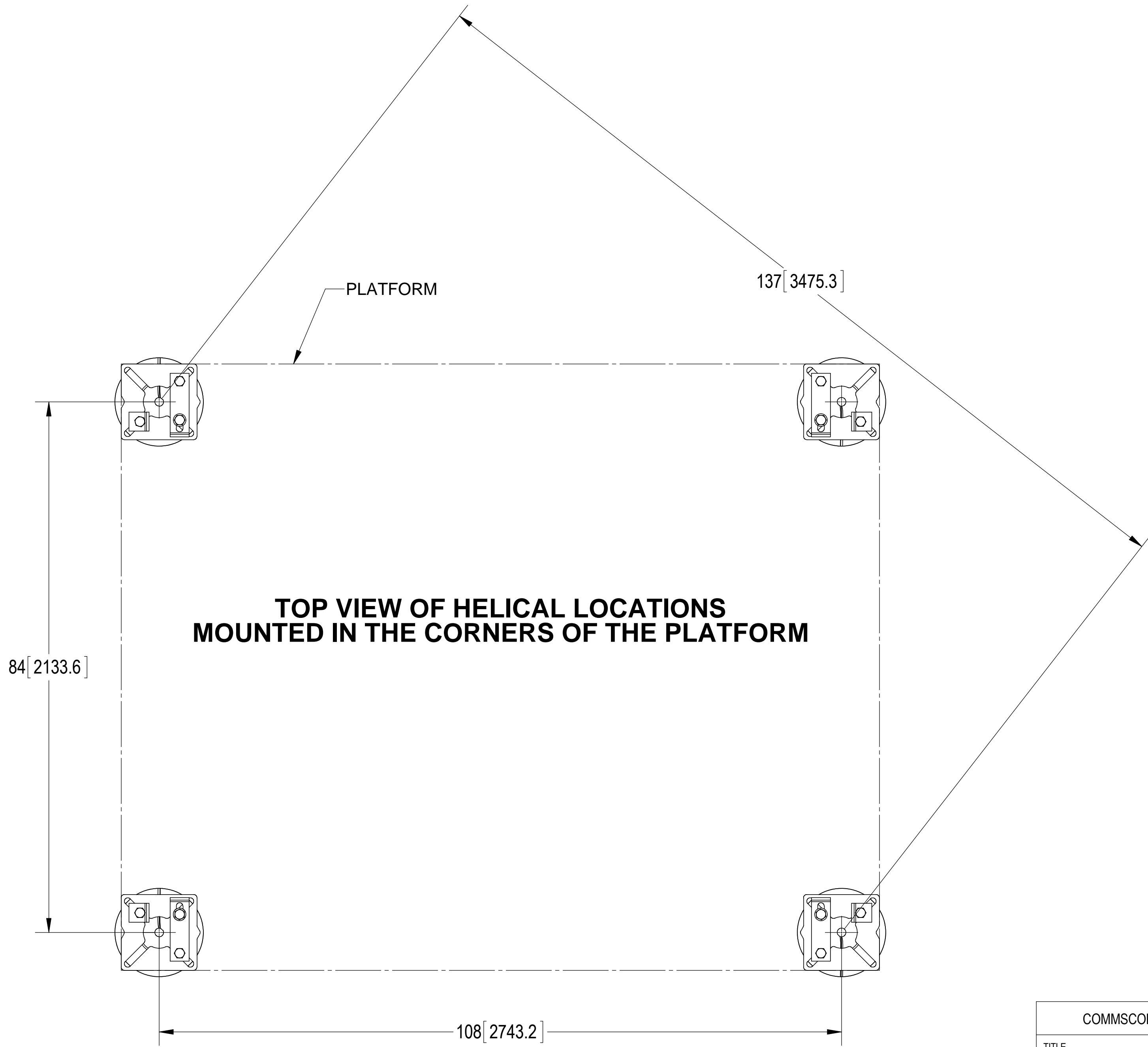
C

B

B

A

A



**TOP VIEW OF HELICAL LOCATIONS
MOUNTED IN THE CORNERS OF THE PLATFORM**

COMMSCOPE, INC. OF NORTH CAROLINA

TITLE
8X10 PLATFORM, 2-STEP, (4) 15' HLCL

SIZE C	SCALE 1:12	DOCUMENT NO. MTC39791512
------------------	----------------------	------------------------------------

DRAWING	VERSION	STATUS	REVISION	SHEET 3 OF 4
			B	

© 2015 CommScope, Inc. Confidential

4

3

2

1

4

3

2

1

NOTES:

D

D

C

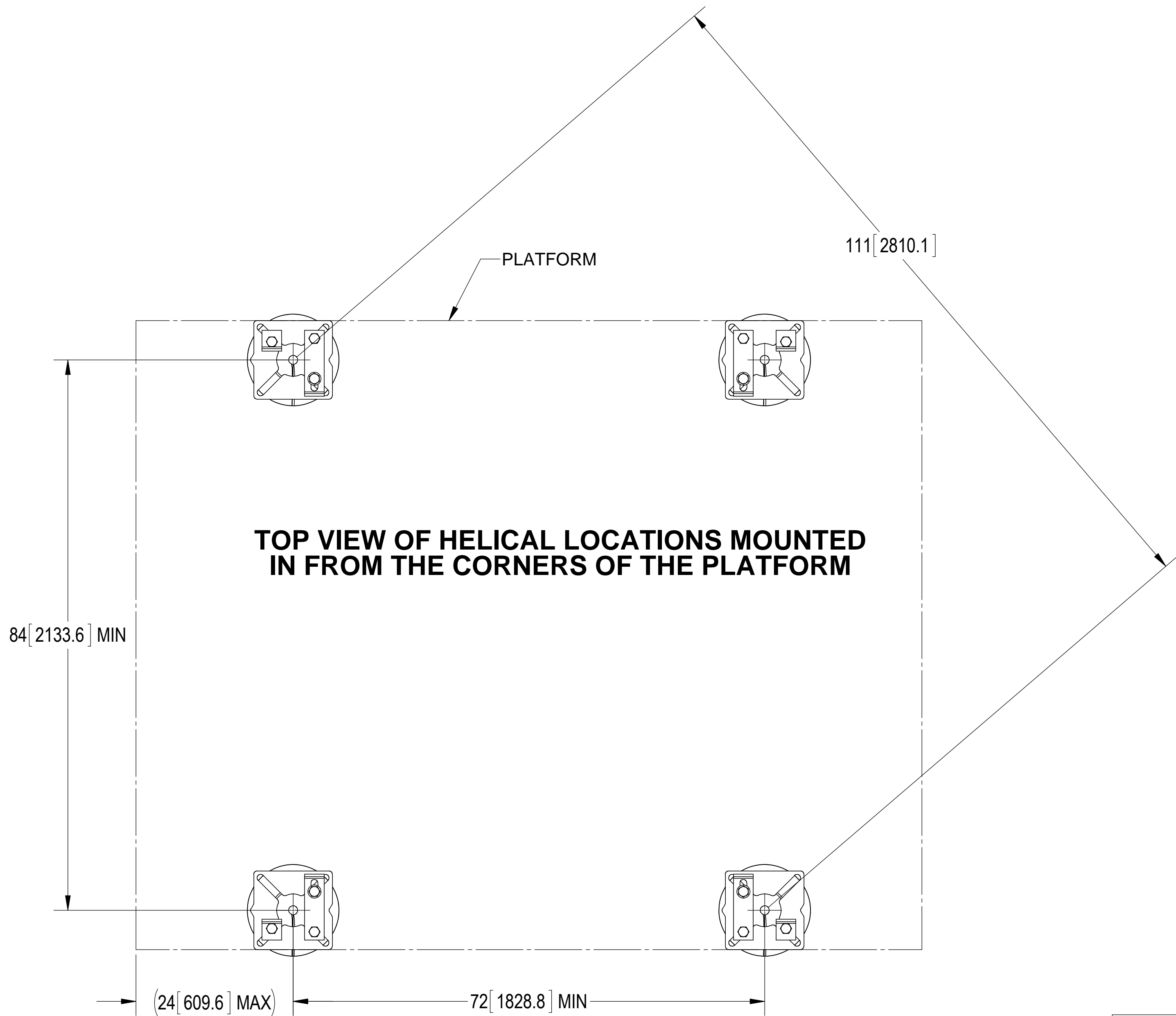
C

B

B

A

A



**TOP VIEW OF HELICAL LOCATIONS MOUNTED
IN FROM THE CORNERS OF THE PLATFORM**

84 [2133.6] MIN

(24 [609.6] MAX)

72 [1828.8] MIN

111 [2810.1]

PLATFORM

COMMSCOPE, INC. OF NORTH CAROLINA				
TITLE				
8X10 PLATFORM, 2-STEP, (4) 15' HLCL				
SIZE	SCALE	DOCUMENT NO.		
C	1:12	MTC39791512		
		DRAWING		SHEET
		VERSION	STATUS	REVISION
				B
				4 OF 4

© 2015 CommScope, Inc. Confidential

4

3

2

1