

4

3

2

1

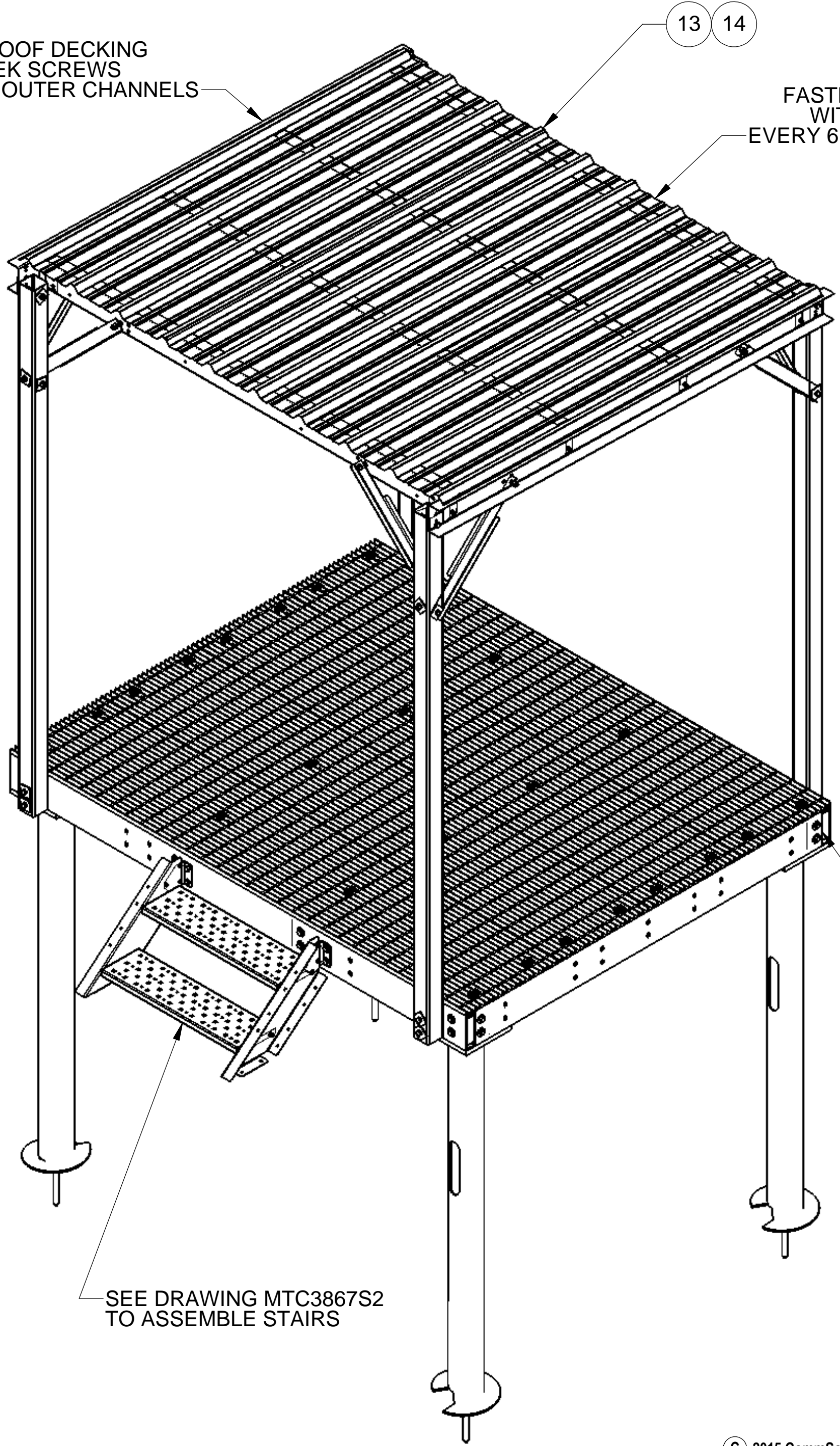
NOTES:

1.0 ALL METRIC DIMENSIONS ARE IN BRACKETS.

REVISIONS				
REV.	ECN	DESCRIPTION	BY	DATE
A	8000028318	INITIAL RELEASE	RDLS	02/14/18
B	8000029849	ADDED SHEETS FOR DETAILS	RJC	06/01/18

FASTEN ROOF DECKING WITH TEK SCREWS EVERY 12" ON OUTER CHANNELS

FASTEN ROOF DECKING WITH TEK SCREWS EVERY 6" ON INNER CHANNELS



ITEM	PART NO.	DESCRIPTION	QTY.	WEIGHT	NOTE NO.
1	EQ-P0810-B	8' X 10' Platform Base	1	1219.87 LBS	
2	MTC3867S2	STAIR ASSEMBLY, TWO STEP	1	63.05 LBS	
3	ST-HB07	LIGHTING FOUNDATION 7 FT	4	173.71	
4	MTC397902	PINCH PLATE, LONG	4	2.84 LBS	
5	MTC397901	PINCH PLATE	4	0.90 LBS	
6	GB-0828A	1"-8 X 3-1/2" GALV BOLT KIT (A325)	12	1.10 LBS	
7	GSF-08	1" Galv Flat Washer	12	0.09 LBS	
8	MTC397903	POST, 4 X 4 X 120	4	60.656 LBS	
9	MTC397904	CHANNEL, 6 X 2.8 X 104", 11 GA	6	39.33 LBS	
10	MTC396602	BRACKET, CANOPY - ANGLE	8	1.13 LBS	
11	MTC3813C14	CANOPY BRACE, 11 GA, 30"	8	4.18 LBS	
12	GB-03105	3/8" X 1" GALV BOLT KIT	32	0.05 LBS	
13	RDR2636100	ROOF DECKING PBR 24 GA 36" X 144"	3	29.54 LBS	
14	TS1275	TEK SCREW #12 X 3/4, WITH NEOPRENE WASHER	100	0.02 LBS	
15	GB-05165	5/8" X 1-3/4" GALV BOLT KIT	8	0.24 LBS	
16	GB-05545	5/8" X 5-1/2" GALV BOLT KIT	20	0.56 LBS	
17	SW-58	BACKING PLATE, .188" X 2.5" X 2.5" W/ 11/16" HOLE	36	0.31 LBS	

SEE DRAWING EQ-P0810-B TO ASSEMBLE PLATFORM

SEE DRAWING MTC3867S2 TO ASSEMBLE STAIRS

COMMScope, INC. OF NORTH CAROLINA

TOLERANCES		SAP MATERIAL MASTER	
0 PLACE X ± .25	2 PLACE .XX ± .06	MTC3979C	
1 PLACE .X ± .12	ANGLES ± 2°		
FINISH		MATERIAL	
GALV A123		A1011/A1018, A500, A529, A572	
UNLESS OTHERWISE SPECIFIED DIMENSIONS ARE IN MILLIMETERS INTERPRET PER ISO STANDARDS HANDBOOK TECHNICAL DRAWINGS VOLUMES 1 & 2, THIRD EDITION (2002)	NAME	DATE	TITLE
	CE RDLS	02/14/18	8X10 PLATFORM, 2-STEP, (4) 7' HLCL, CNPY
	RW		
	RV		SCALE 1:18 DOCUMENT NO. MTC3979C
	AD		
RE TP	02/14/18		
ECN 8000028318			
SIZE	WORK AREA	MODEL	DRAWING
C		VERSION STATUS REVISION	VERSION STATUS REVISION
			B
			SHEET 1 OF 4

DENSITY	lbs/in ³
MASS	2650 lbs
VOLUME	in ³
SURFACE AREA	in ²
HEIGHT	
LENGTH	
WIDTH	

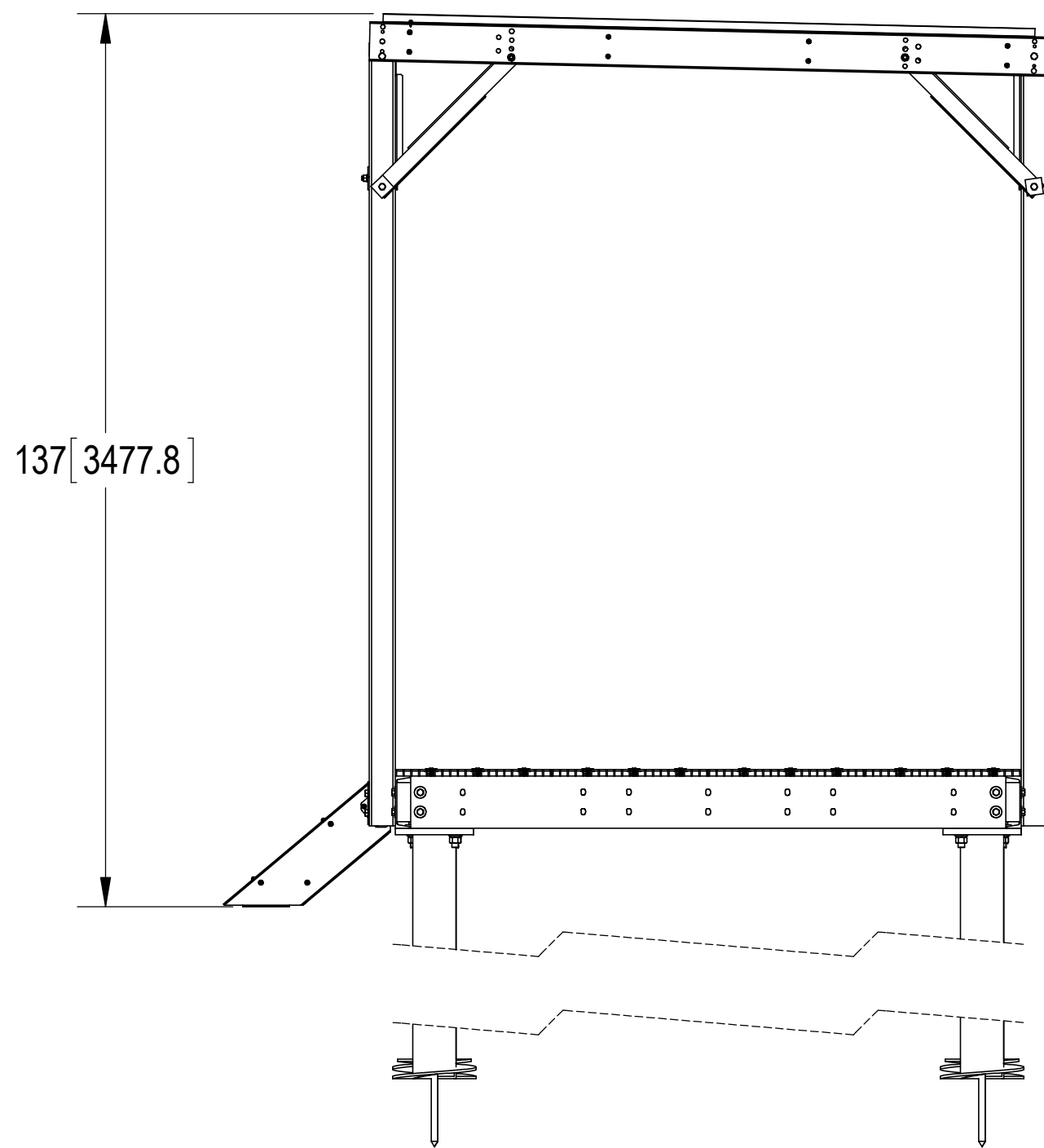
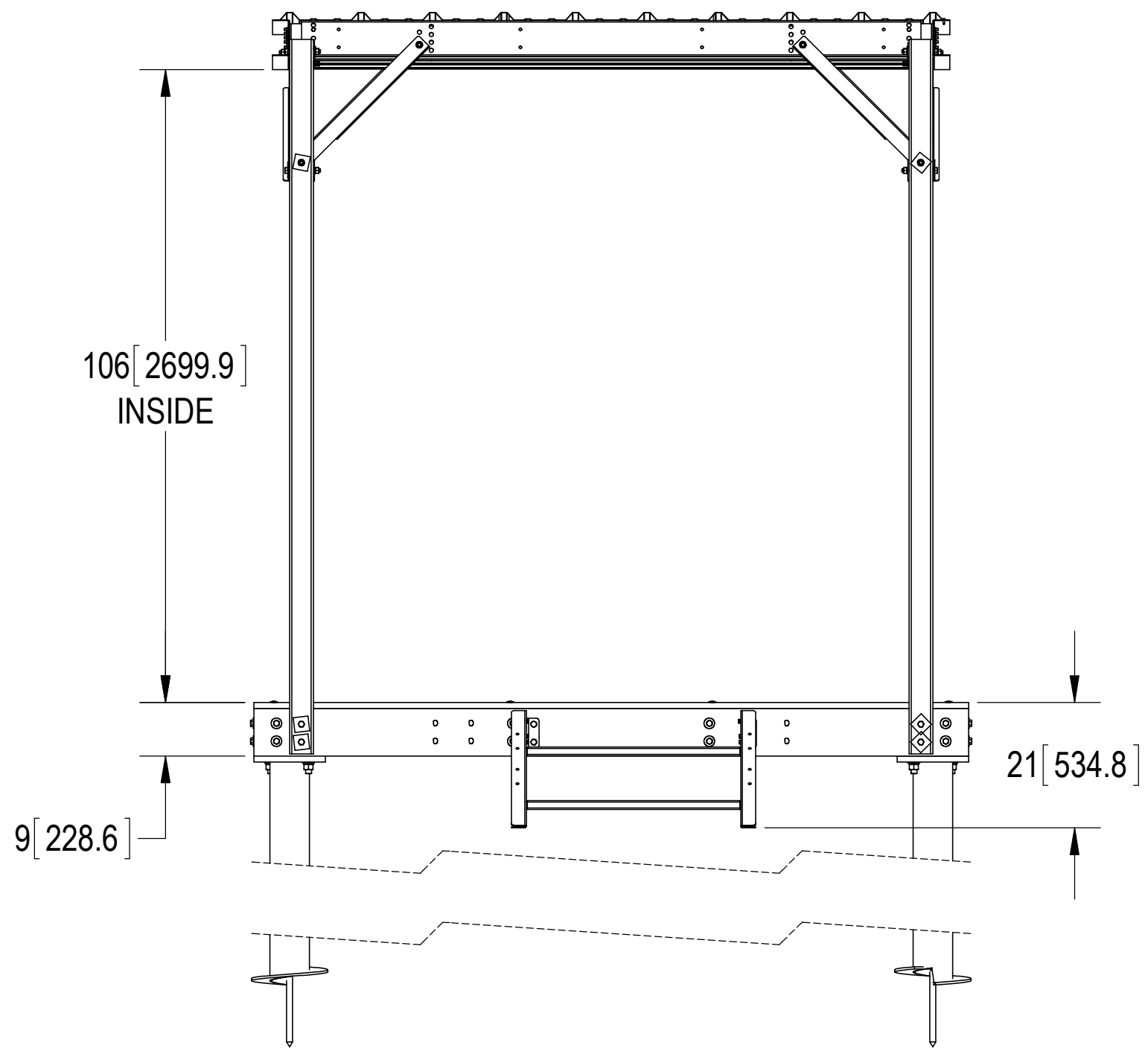
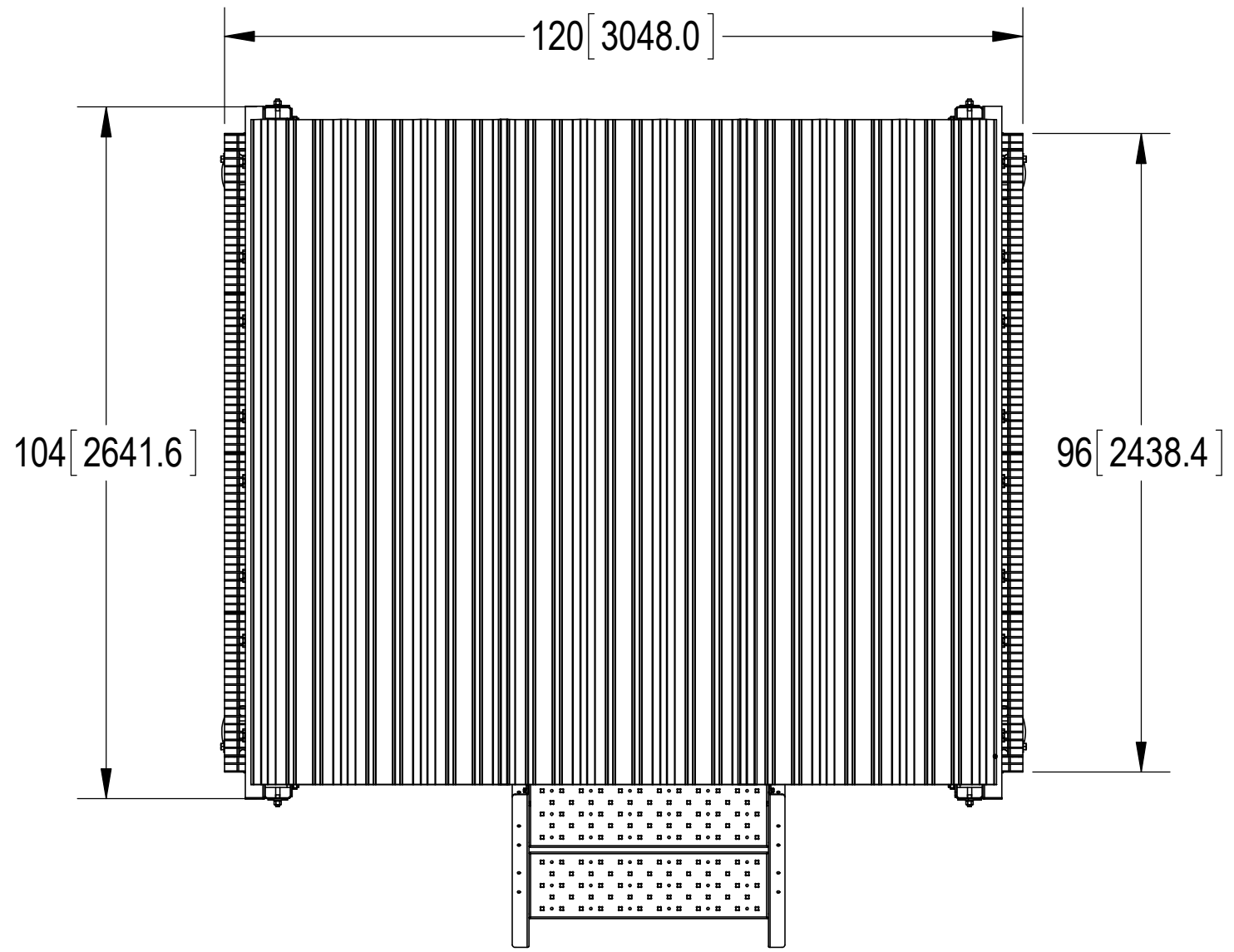
4

3

2

1

NOTES:



COMMSCOPE, INC. OF NORTH CAROLINA				
TITLE				
8X10 PLATFORM, 2-STEP, (4) 7' HLCL, CNPY				
SIZE	SCALE	DOCUMENT NO.		
C	1:24	MTC3979C		
		DRAWING		SHEET
		VERSION	STATUS	REVISION
				B
				2 OF 4

© 2015 CommScope, Inc. Confidential

4

3

2

1

4

3

2

1

NOTES:

D

D

C

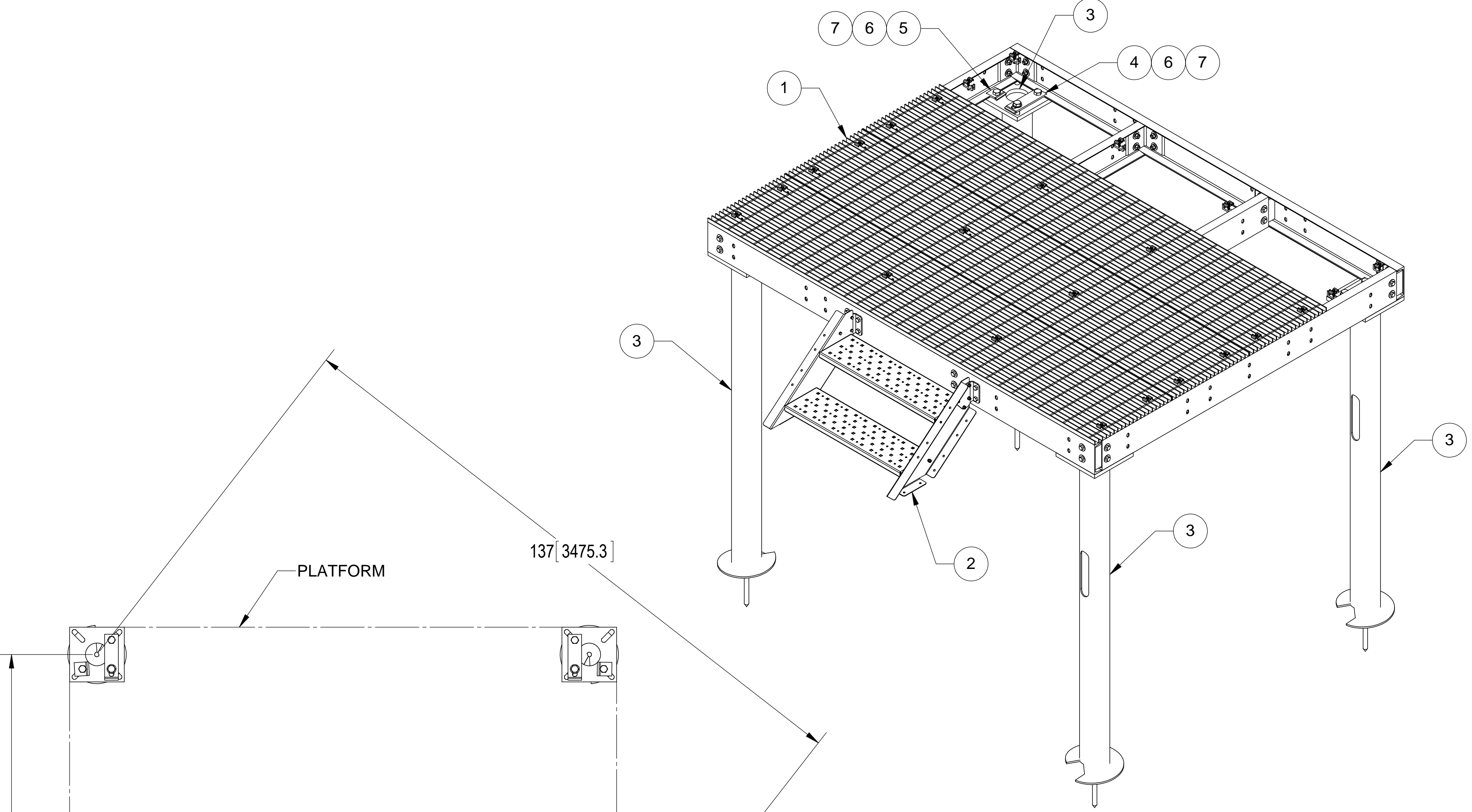
C

B

B

A

A



PLATFORM

137 [3475.3]

TOP VIEW OF HELICAL LOCATIONS MOUNTED IN THE CORNERS OF THE PLATFORM

84 [2133.3]

108 [2743.2]

4

3

2

1

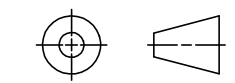
COMMScope, INC. OF NORTH CAROLINA

TITLE
8X10 PLATFORM, 2-STEP, (4) 7' HLCL, CNPY

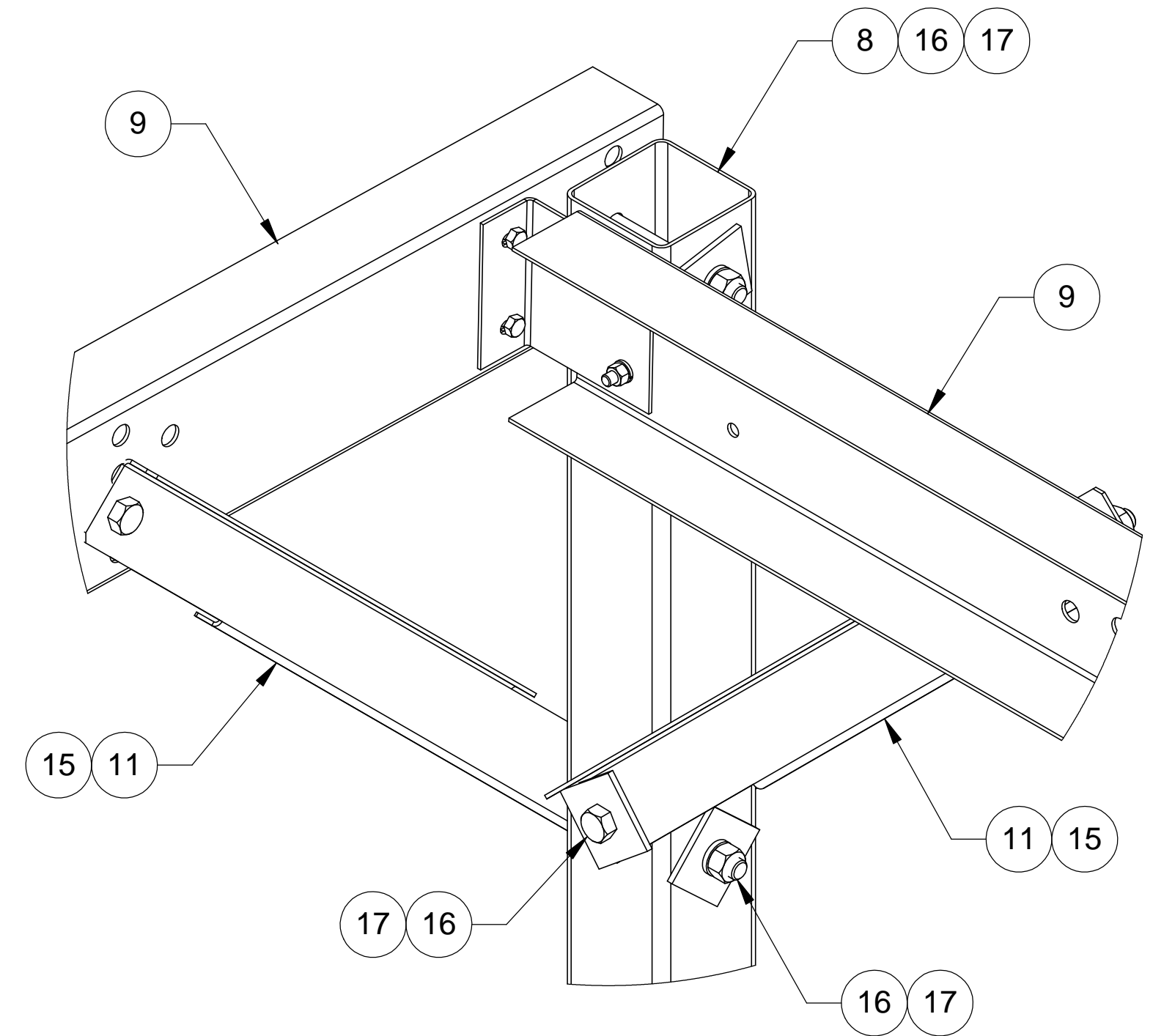
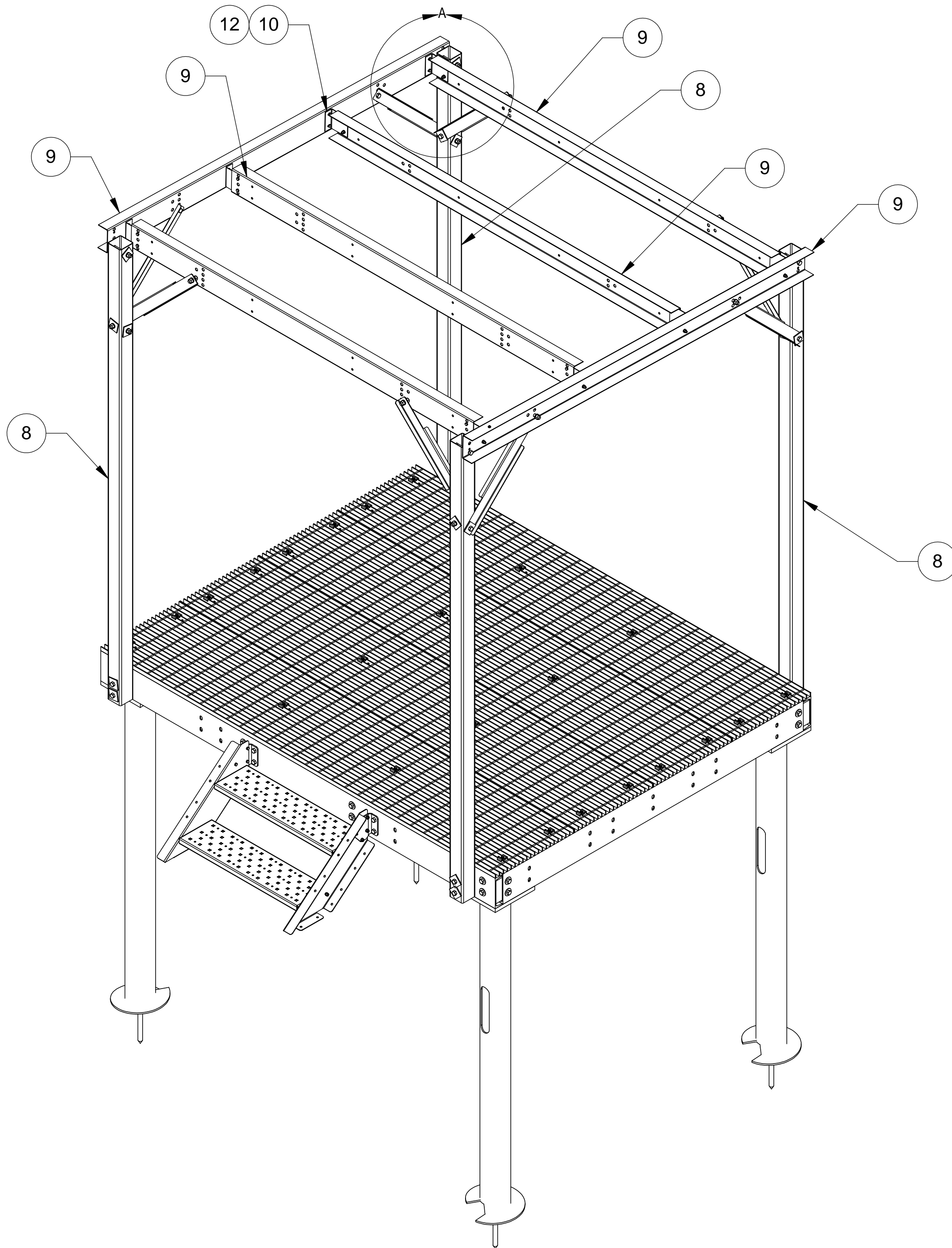
SIZE C	SCALE 1:16	DOCUMENT NO. MTC3979C
------------------	----------------------	---------------------------------

DRAWING			SHEET 3 OF 4
VERSION	STATUS	REVISION B	

© 2015 CommScope, Inc. Confidential



NOTES:



DETAIL A
SCALE 1:4

COMMScope, INC. OF NORTH CAROLINA					
TITLE					
8X10 PLATFORM, 2-STEP, (4) 7' HLCL, CNPY					
SIZE	SCALE	DOCUMENT NO.			
C	1:18	MTC3979C			
		DRAWING			SHEET
		VERSION	STATUS	REVISION	4 OF 4
				B	