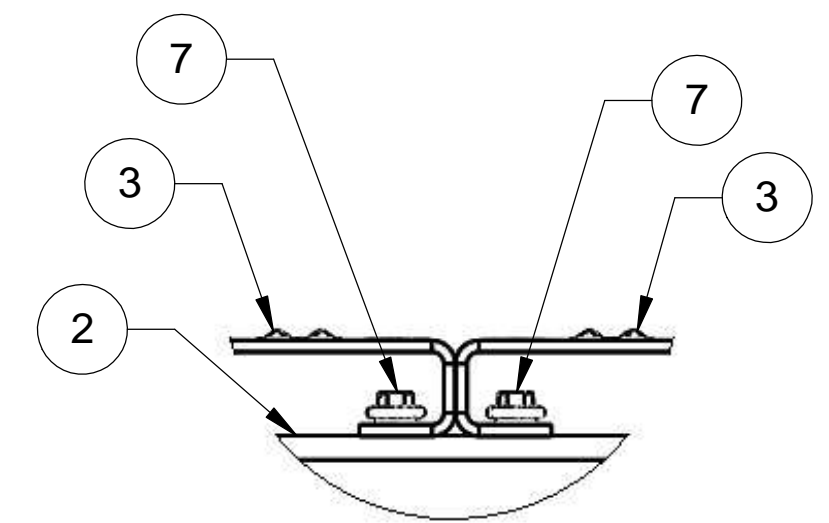
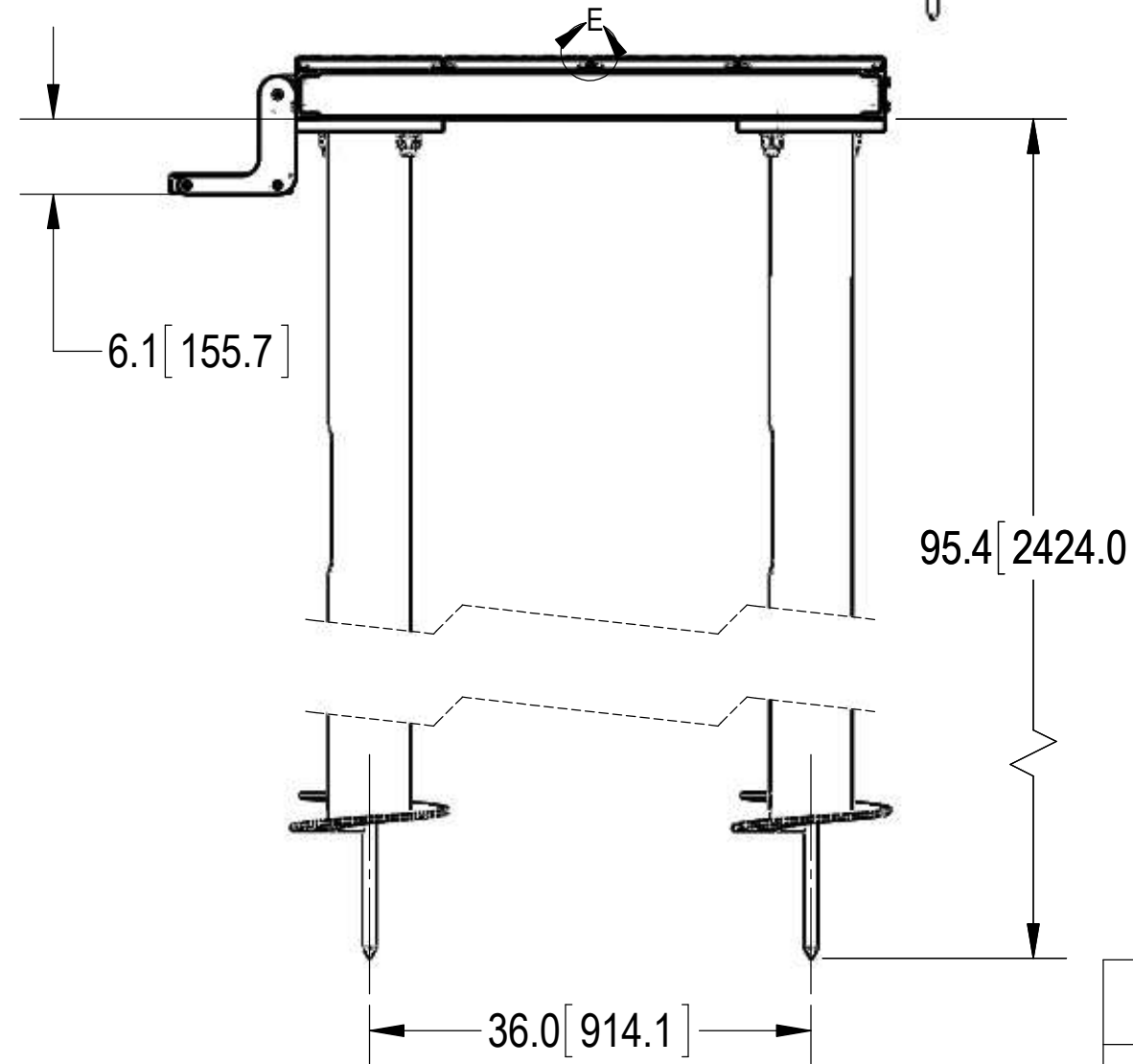
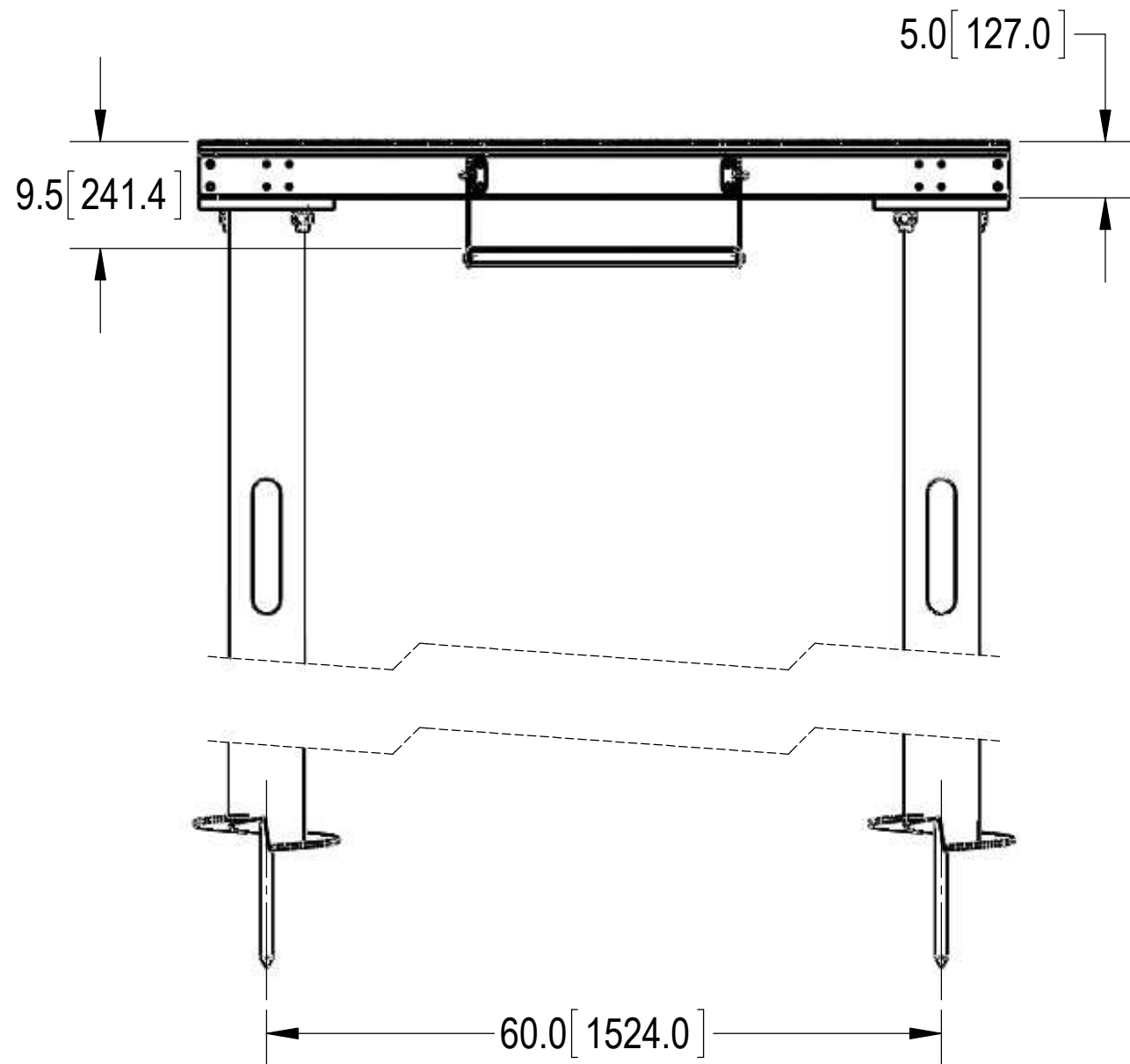
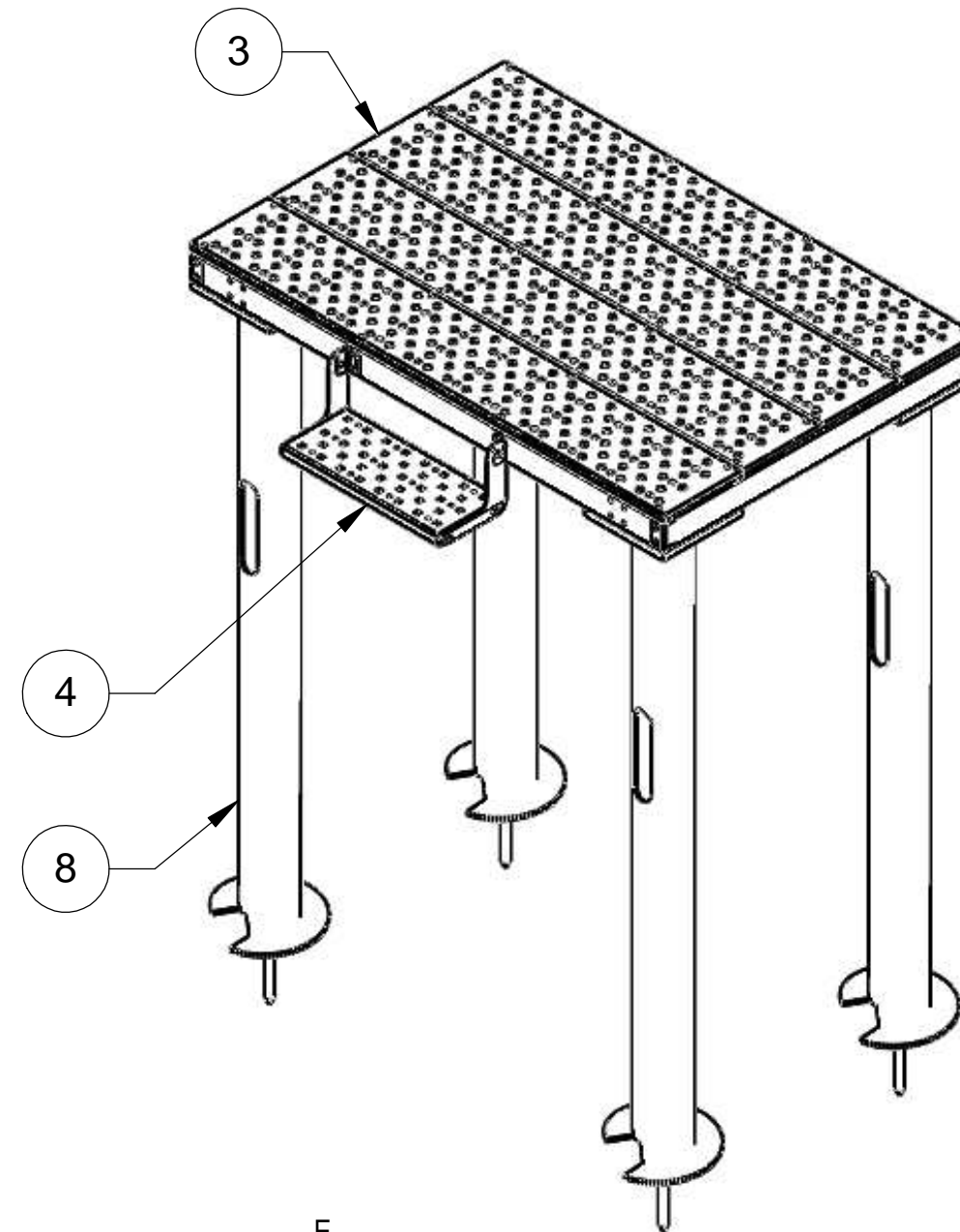
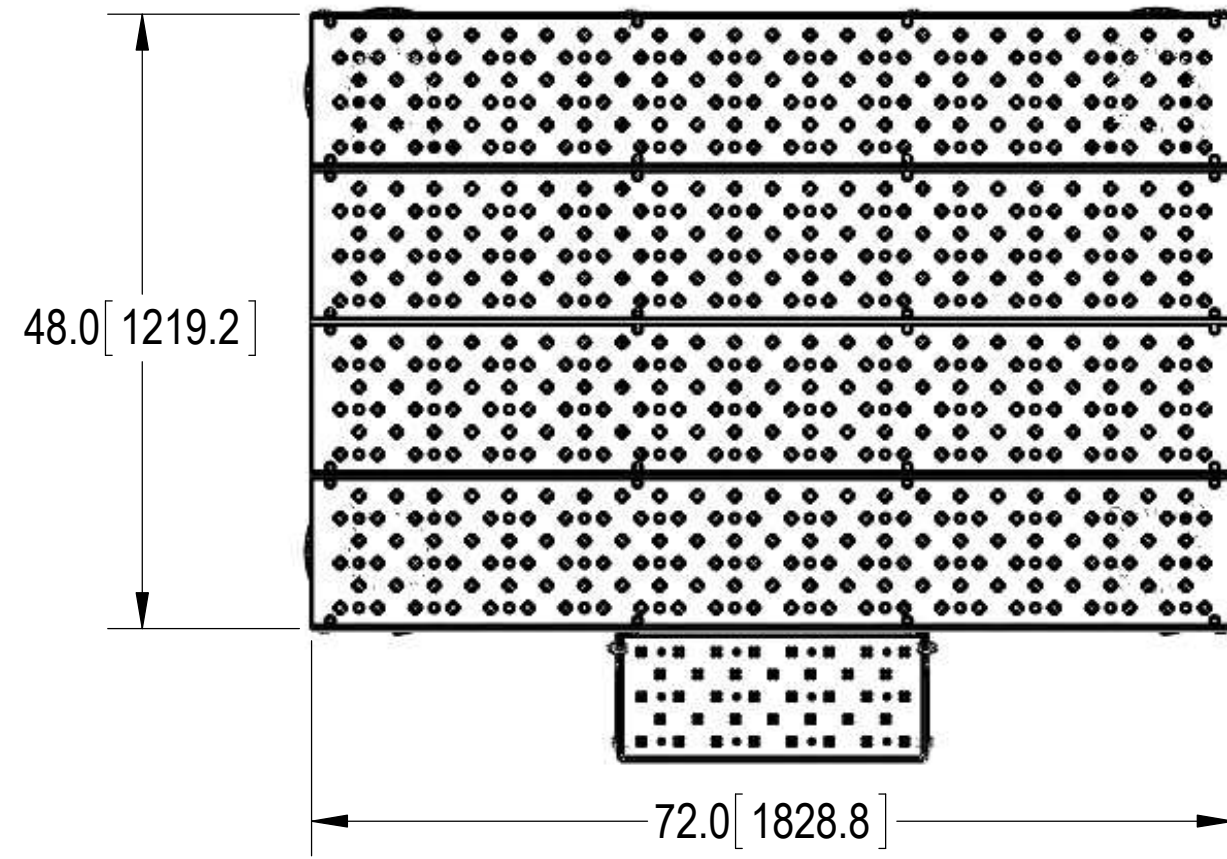


NOTES:
1.0 ALL METRIC DIMENSIONS ARE IN BRACKETS.

REVISIONS				
REV.	ECN	DESCRIPTION	BY	DATE
A	8000028141	INITIAL RELEASE	RJC	01/25/18



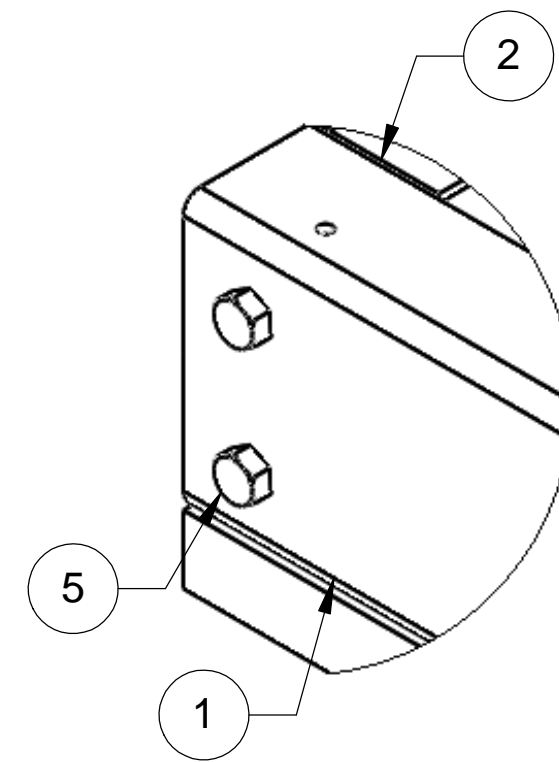
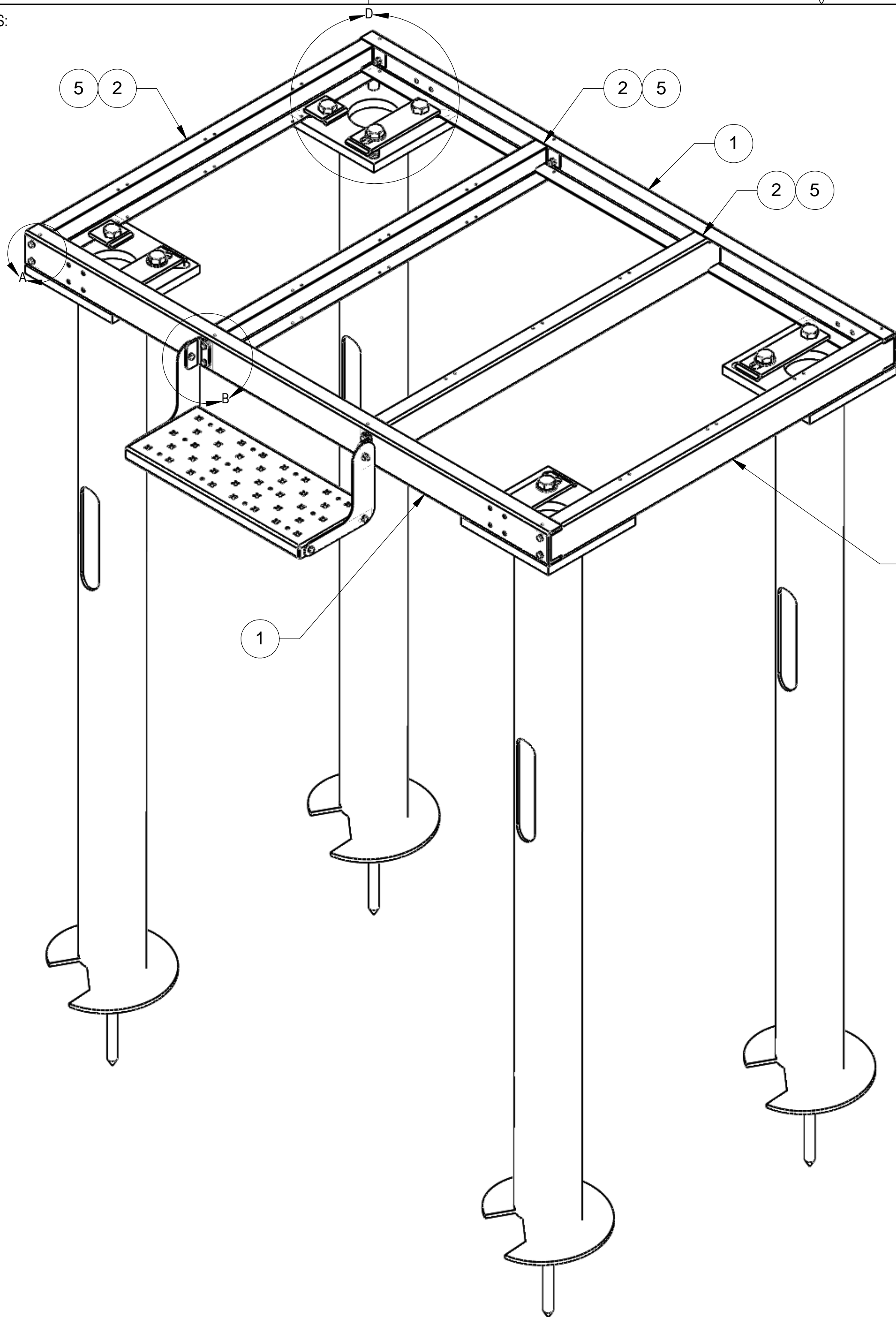
DETAIL E
SCALE 1:2

ITEM	PART NO.	DESCRIPTION	QTY.	WEIGHT	NOTE NO.
1	MTC398701	CHANNEL, PLATFORM LONG	2	17.76 LBS	
2	MTC398702	CHANNEL, PLATFORM SHORT	4	11.62 LBS	
3	MTC398972	DECK, FORMED	4	35.60 LBS	
4	MTC3922S	STEP FOR LIGHT DUTY PLATFORM	1	15.801	
5	GB-03105	3/8" X 1" GALV BOLT KIT	13	0.05 LBS	
6	GB-03145	3/8" X 1-1/2" GALV BOLT KIT	4	0.07 LBS	
7	TS1275	TEK SCREW #12 X 3/4, WITH NEOPRENE WASHER	32	0.02 LBS	
8	ST-HB07	LIGHTING FOUNDATION 7 FT	4	173.71	
9	MTC397901	PINCH PLATE	4	0.90 LBS	
10	MTC397902	PINCH PLATE, LONG	4	2.84 LBS	
11	GB-0828A	1"-8 X 3-1/2" GALV BOLT KIT (A325)	12	1.10 LBS	
12	GWF-08	1" Galv Flat Washer	16	0.09 LBS	

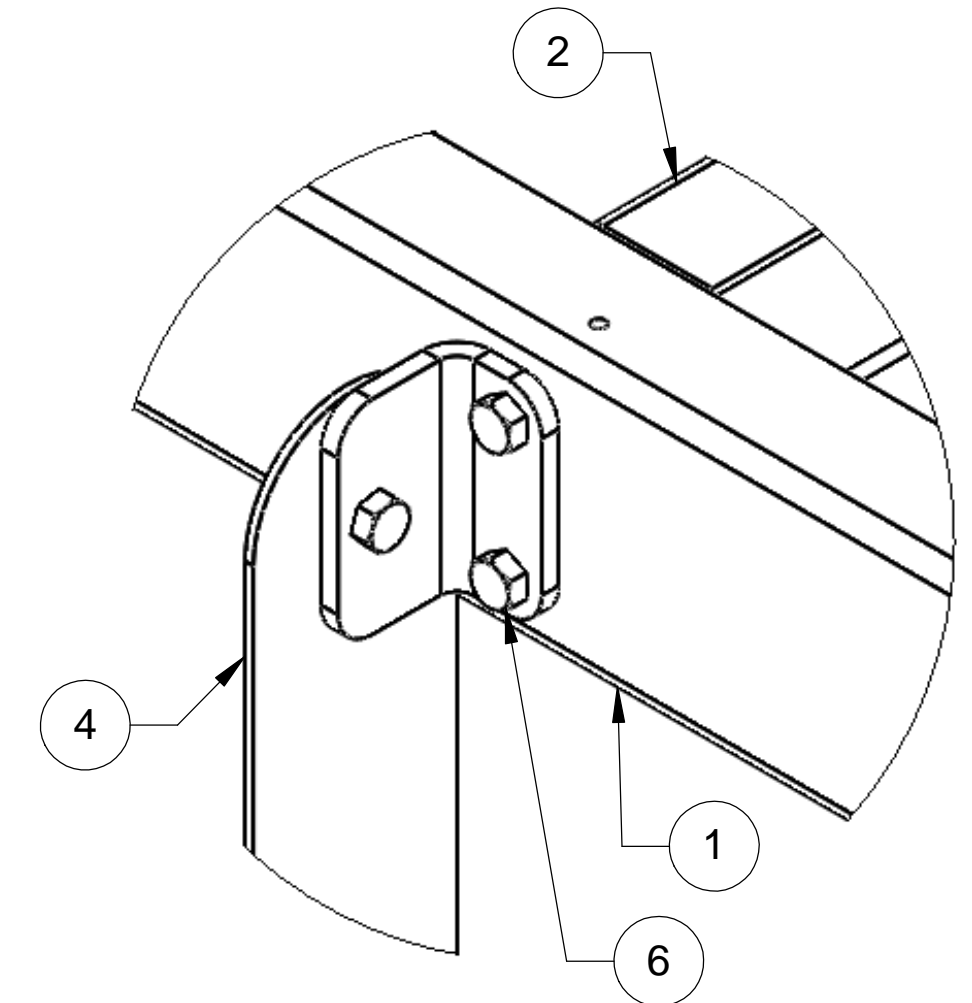
DENSITY	0.28	lbs/in ³
MASS	971.70	lbs
VOLUME		in ³
SURFACE AREA	30942.09	in ²
HEIGHT		
LENGTH		
WIDTH		

COMMSCOPE, INC. OF NORTH CAROLINA				
TOLERANCES		SAP MATERIAL MASTER		
0 PLACE	X ± .25	2 PLACE	.XX ± .06	MTC3987AR
1 PLACE	.X ± .12	ANGLES	± 2°	
FINISH		MATERIAL		
GALV A123		A1011/A1018		
UNLESS OTHERWISE SPECIFIED DIMENSIONS ARE IN MILLIMETERS INTERPRET PER ISO STANDARDS HANDBOOK TECHNICAL DRAWINGS VOLUMES 1 & 2, THIRD EDITION (2002)	NAME	DATE	TITLE	
	CE RJC	01/23/18	4X6 PLATFORM, HELICAL ANCHORS	
	RW		SCALE	DOCUMENT NO.
	AD		1:15	MTC3987AR
	RE TP	01/23/18	ECN	8000028141
SIZE	WORK AREA	MODEL	DRAWING	
C		VERSION	STATUS	REVISION
			VERSION	STATUS
			REVISION	A
				SHEET 1 OF 2

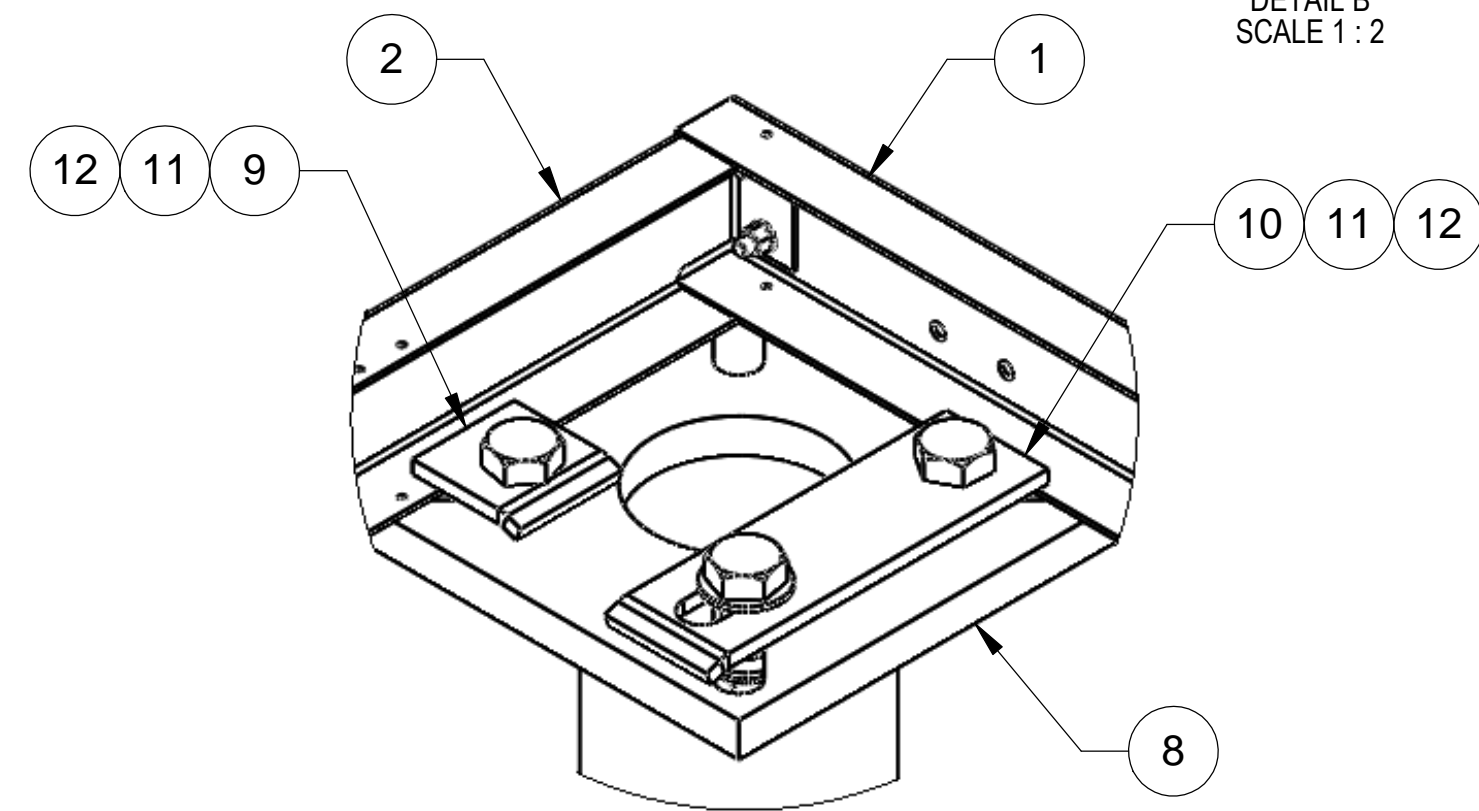
NOTES:



DETAIL A
SCALE 1:2



DETAIL B
SCALE 1:2



DETAIL D
SCALE 1:4

COMMSCOPE, INC. OF NORTH CAROLINA				
TITLE				
4X6 PLATFORM, HELICAL ANCHORS				
SIZE	SCALE	DOCUMENT NO.		
C	1:8	MTC3987AR		
		DRAWING		SHEET
		VERSION	STATUS	REVISION
				A
				2 OF 2

D

C

B

A

D

C

B

A

4

3

2

1

4

3

2

1