

4

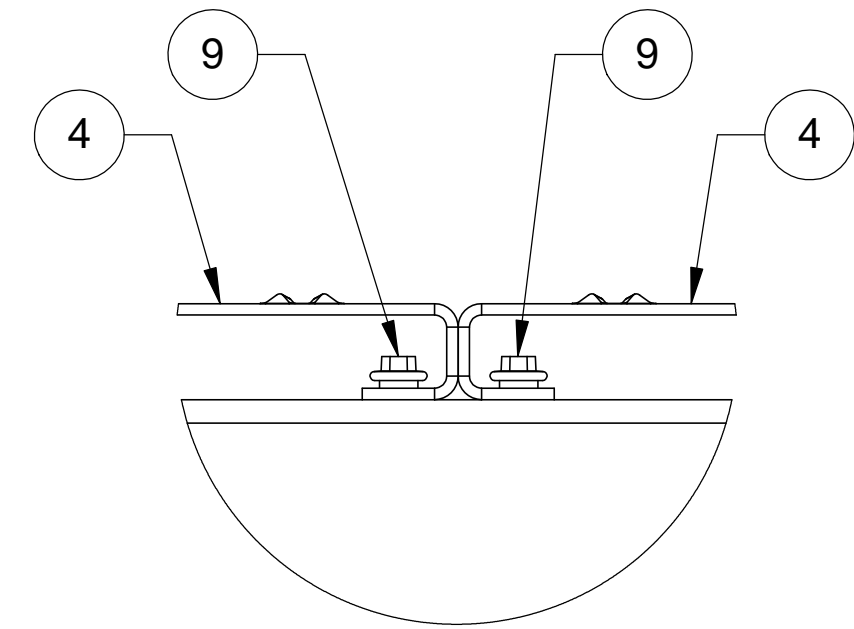
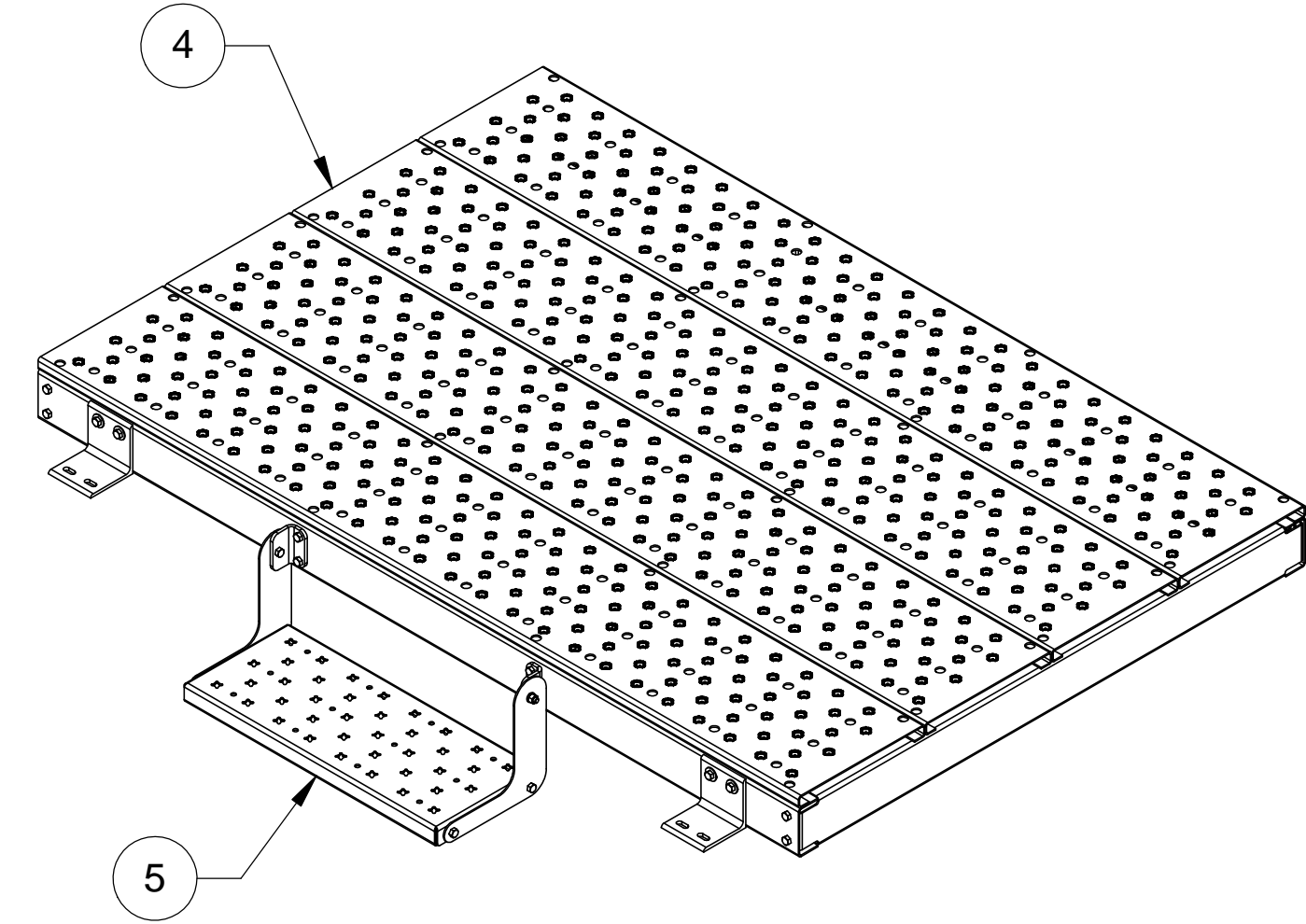
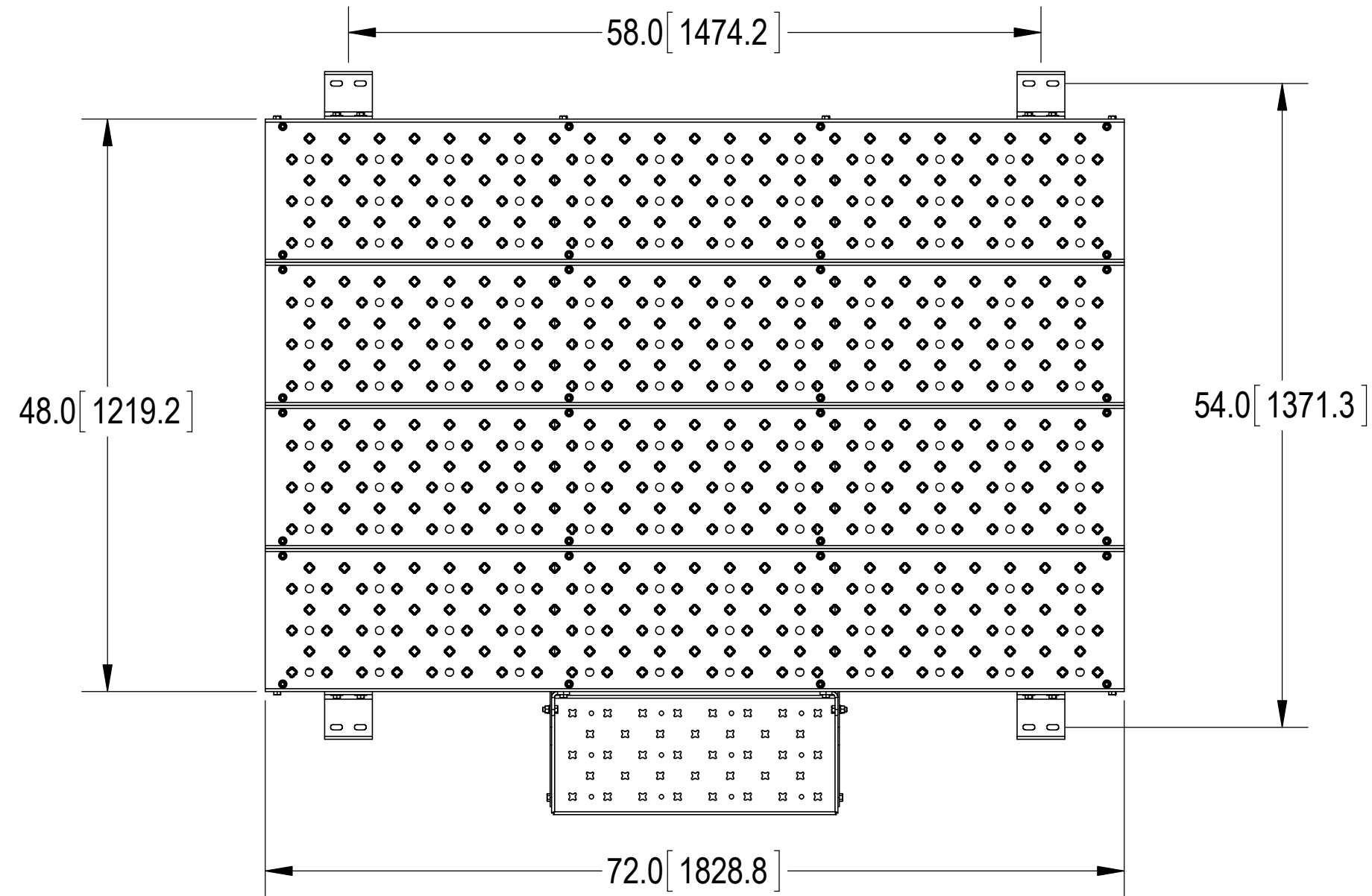
3

2

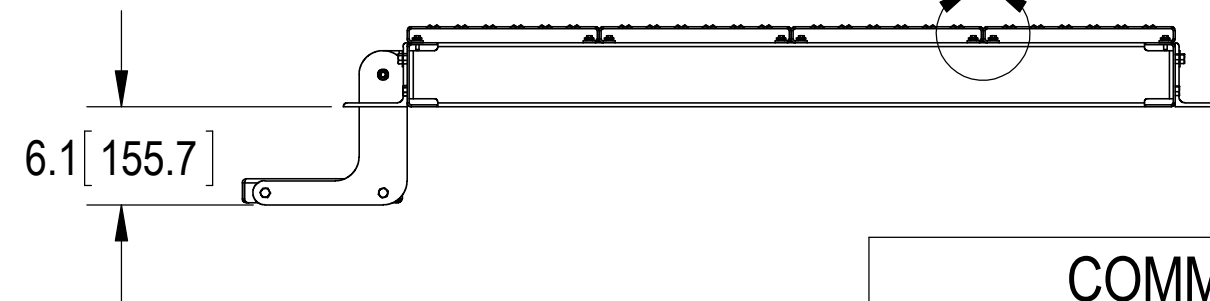
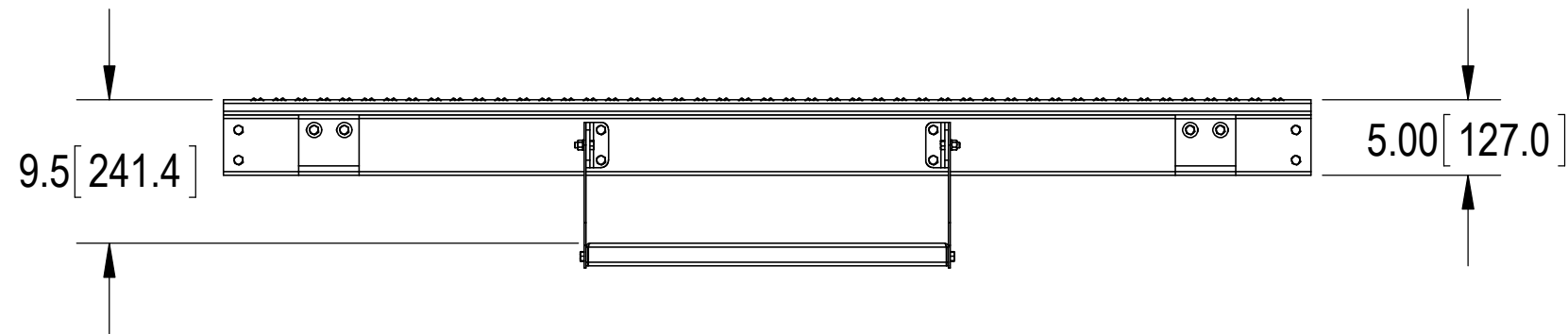
1

NOTES:
1.0 ALL METRIC DIMENSIONS ARE IN BRACKETS.

REV.		ECN		REVISIONS		BY	DATE
A		8000028141		INITIAL RELEASE		RJC	01/24/18



DETAIL C
SCALE 1:2



ITEM	PART NO.	DESCRIPTION	QTY.	WEIGHT	NOTE NO.
1	MTC398701	CHANNEL, PLATFORM LONG	2	17.76 LBS	
2	MTC398702	CHANNEL, PLATFORM SHORT	4	11.62 LBS	
3	MTC398703	BRACKET, ANGLE MOUNTING	4	2.08 LBS	
4	MTC398972	DECK, FORMED	4	35.60 LBS	
5	MTC3922S	STEP FOR LIGHT DUTY PLATFORM	1	15.801	
6	GB-03105	3/8" X 1" GALV BOLT KIT	21	0.05 LBS	
7	GB-03145	3/8" X 1-1/2" GALV BOLT KIT	4	0.07 LBS	
8	GWF-03	3/8" FLAT WASHER	8	0.01 LBS	
9	TS1275	TEK SCREW #12 X 3/4, WITH NEOPRENE WASHER	32	0.02 LBS	

COMMSCOPE, INC. OF NORTH CAROLINA

TOLERANCES		SAP MATERIAL MASTER		
0 PLACE X ± .25	2 PLACE .XX ± .06	MTC3987PF		
1 PLACE X ± .12	ANGLES ± 2°			
FINISH		MATERIAL		
GALV A123		A1011/A1018, A529		
UNLESS OTHERWISE SPECIFIED DIMENSIONS ARE IN MILLIMETERS INTERPRET PER ISO STANDARDS HANDBOOK TECHNICAL DRAWINGS VOLUMES 1 & 2, THIRD EDITION (2002)	NAME	DATE	TITLE	
	CE RJC	01/22/18	4X6 PLATFORM, PIER ATTACHMENTS	
	RW			
	AD		SCALE	DOCUMENT NO.
	RE TP	01/22/18	1:12	MTC3987PF
ECN 8000028141	SIZE		WORK AREA	
HEIGHT	LENGTH		WIDTH	
C				
VERSION		MODEL		
VERSION	STATUS	REVISION	VERSION	
DRAWING		REVISION		
VERSION	STATUS	REVISION	VERSION	
A		A		
SHEET			1 OF 2	

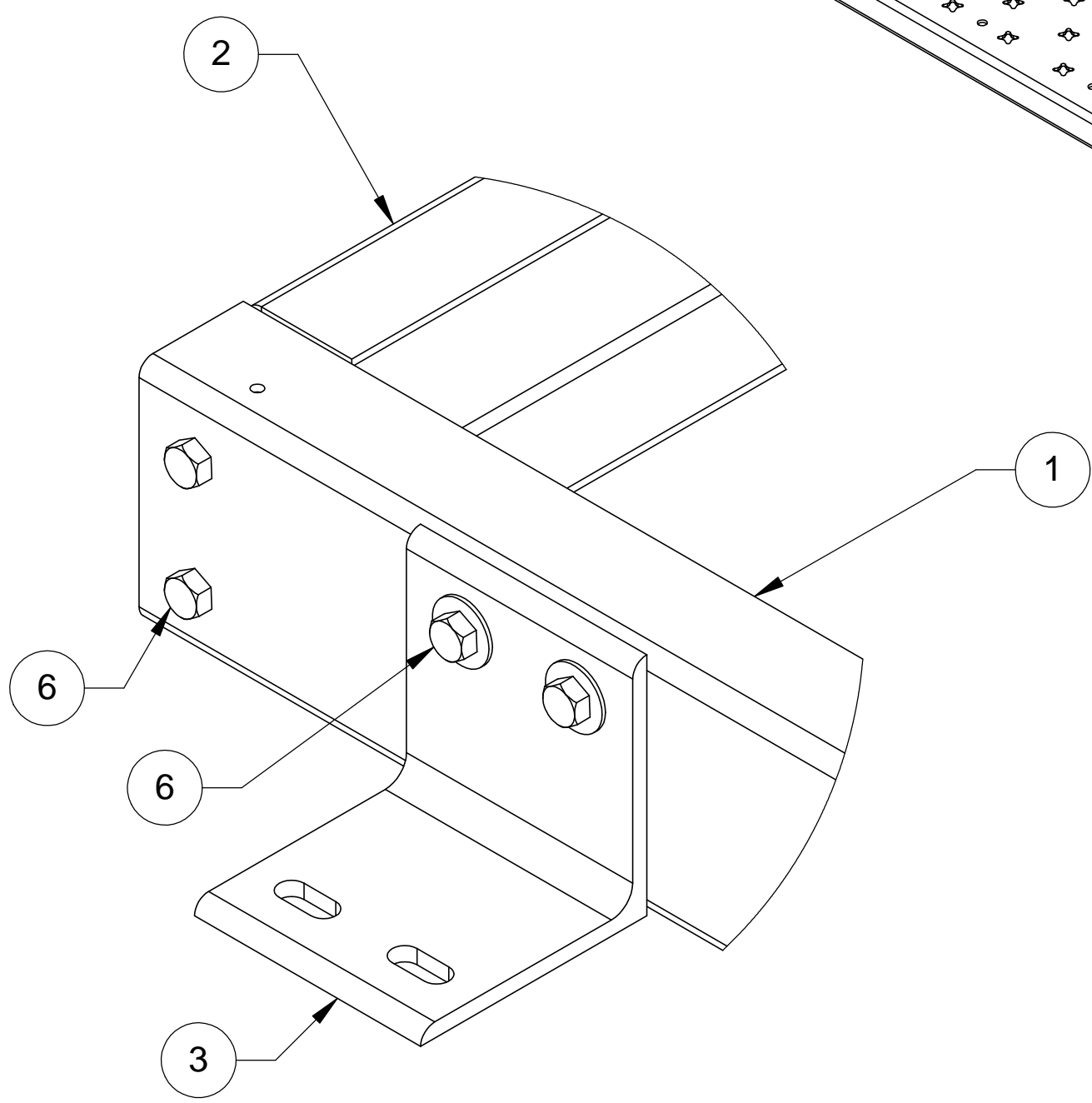
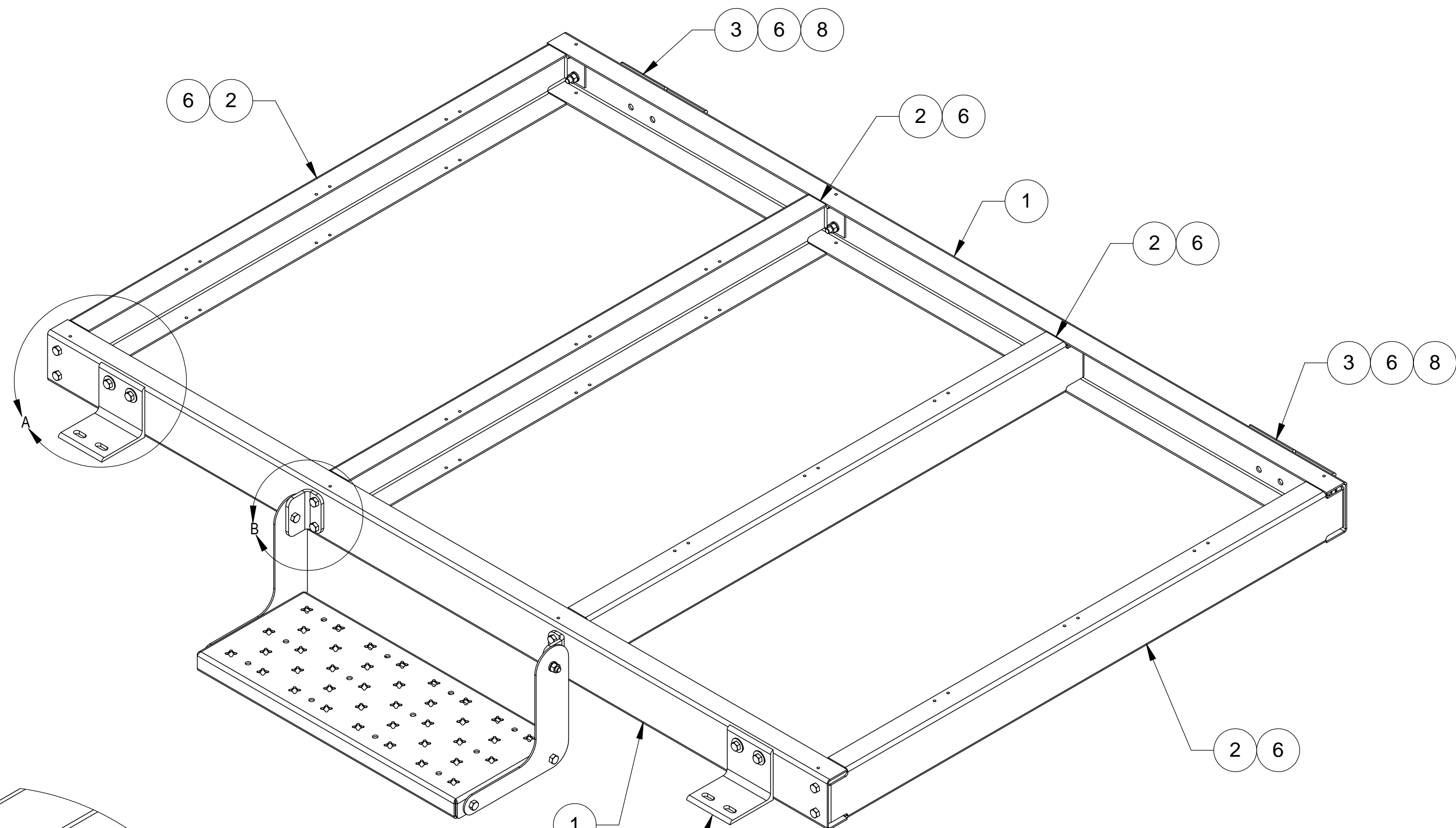
4

3

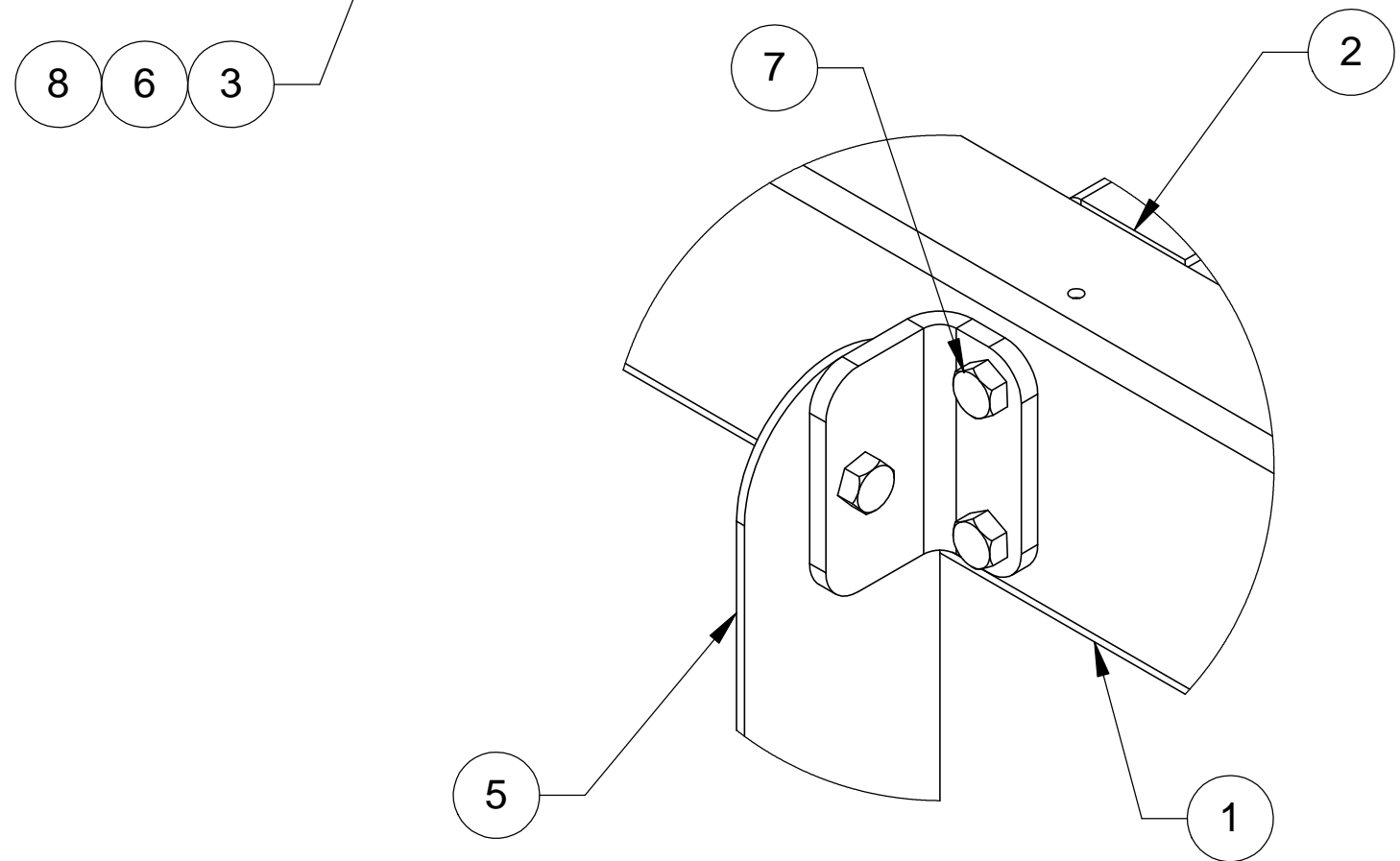
2

1

NOTES:



DETAIL A
SCALE 1 : 2



DETAIL B
SCALE 1 : 2

© 2015 CommScope, Inc. Confidential

COMMSCOPE, INC. OF NORTH CAROLINA				
TITLE				
4X6 PLATFORM, PIER ATTACHMENTS				
SIZE	SCALE	DOCUMENT NO.		
C	1:6	MTC3987PF		
		DRAWING		SHEET
		VERSION	STATUS	REVISION
				A
				2 OF 2

4

3

2

1

4

3

2

1

D

D

C

C

B

B

A

A