

4

3

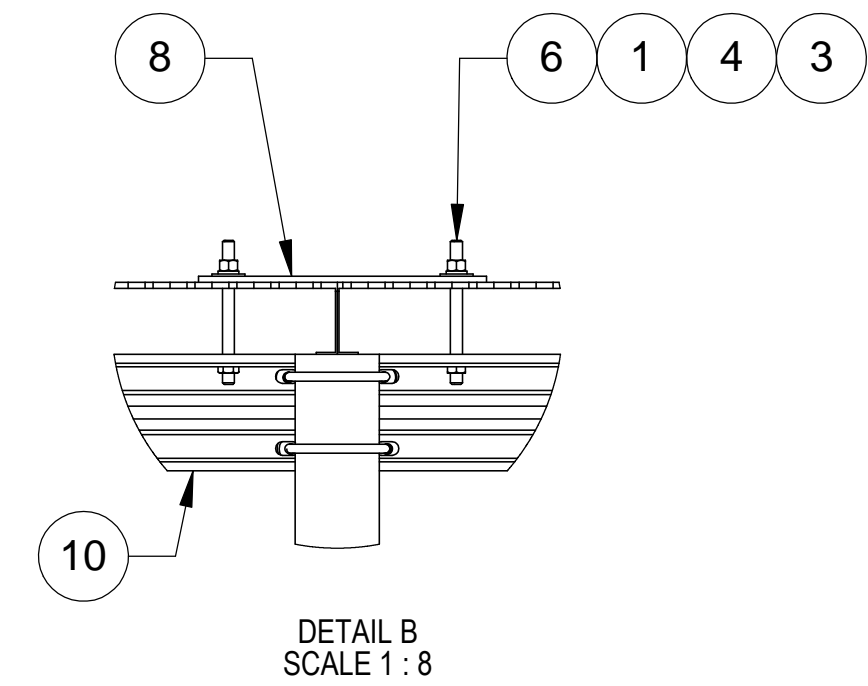
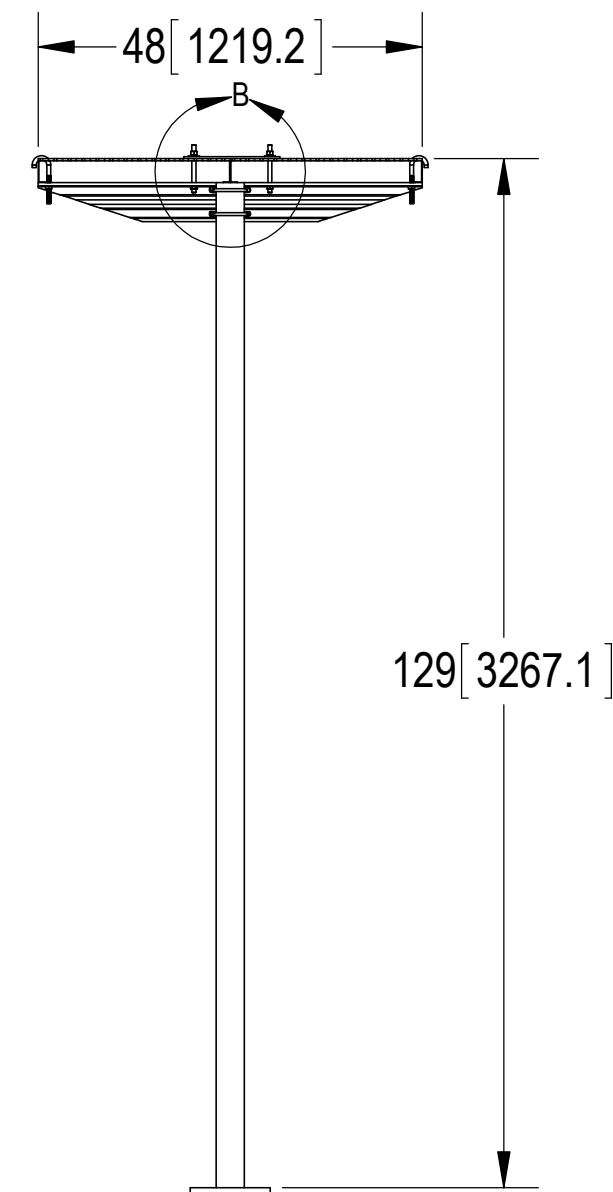
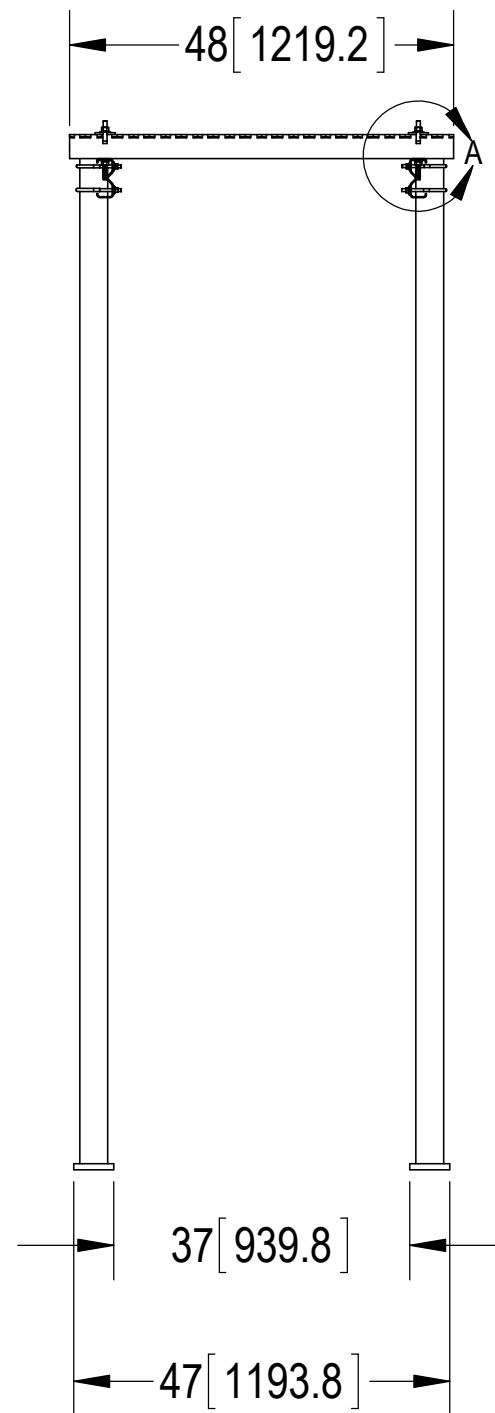
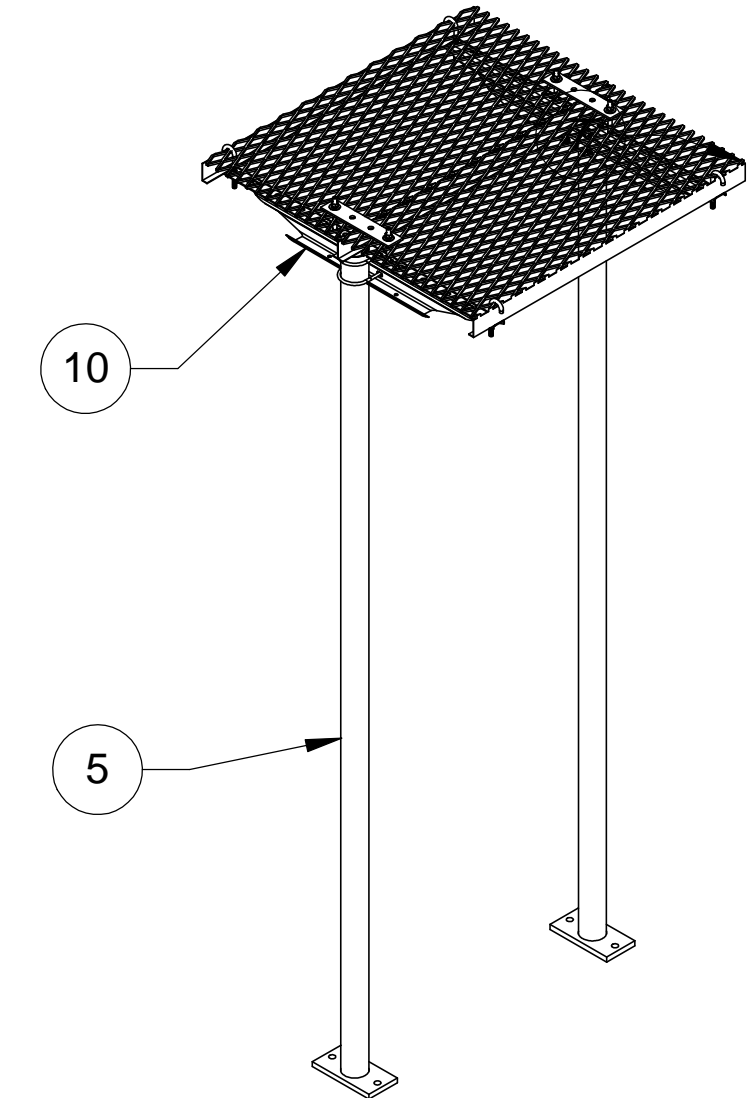
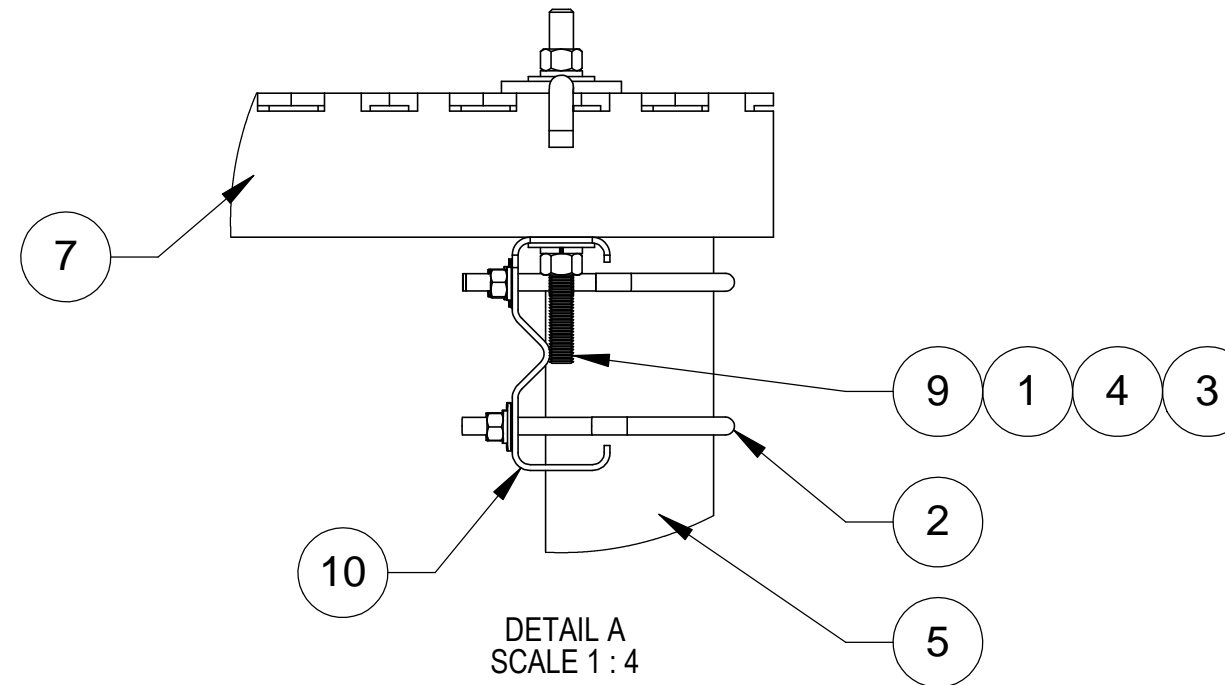
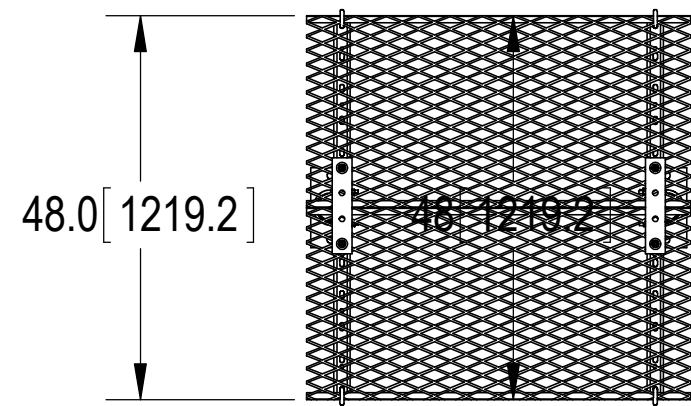
2

1

NOTES:

1.0 ALL METRIC DIMENSIONS ARE IN BRACKETS.

REVISIONS	REVISIONS	DESCRIPTION	BY	DATE
REV.	ECN			
A	8000028694	INITIAL RELEASE	MRC	03/01/18



ITEM	PART NO.	DESCRIPTION	QTY.	WEIGHT	NOTE NO.
1	GN-04	1/2" GALV HEX NUT	12	0.04 LBS	
2	GUB-3355	3/8" X 3-5/8" X 5-1/4" GALV U-BOLT	4	0.40 LBS	
3	GW-04	1/2" GALV FLAT WASHER	12	0.03 LBS	
4	GWL-04	1/2" GALV LOCK WASHER	12	0.01 LBS	
5	MF12616510	PIPE COLUMN KIT	2	69.59 LBS	
6	MT-379-6	1/2" X 6" GALV THREADED ROD	4	0.33 LBS	
7	MTC329120	SAFTEY GRATING 24"X48"	2	32.01 LBS	
8	SB4	SPLICE PLATE, 4 HOLES	2	2.01 LBS	
9	WBJB6	1/2" J-BOLT	4	0.41 LBS	
10	WBLB48301	48" WAVE GUIDE BRIDGE SUPPORT BRACKET	2	10.91 LBS	

DENSITY	0.28	lbs/in ³
MASS	234.95	lbs
VOLUME	831.71	in ³
SURFACE AREA		in ²
HEIGHT		
LENGTH		
WIDTH		

COMMSCOPE, INC. OF NORTH CAROLINA

TOLERANCES		SAP MATERIAL MASTER						
0 PLACE X ± .25	2 PLACE .XX ± .06	MTC401548C						
1 PLACE .X ± .12	ANGLES ± 2°							
FINISH		MATERIAL						
GALV A123		A500, A1011/1018						
UNLESS OTHERWISE SPECIFIED DIMENSIONS ARE IN MILLIMETERS INTERPRET PER ISO STANDARDS HANDBOOK TECHNICAL DRAWINGS VOLUMES 1 & 2, THIRD EDITION (2002)	NAME	DATE	TITLE					
	CE MRC	11/13/17	ICE CANOPY, 2 POSTS					
	RW							
	AD		SCALE	DOCUMENT NO.				
	RE TP	11/13/17	1:24	MTC401548C				
ECN 8000028694								
SIZE	WORK AREA	MODEL	DRAWING					
C		VERSION	STATUS	REVISION	VERSION	STATUS	REVISION	SHEET
								A

4

3

2

1

NOTES:

1.0 ALL METRIC DIMENSIONS ARE IN BRACKETS.

D

D

C

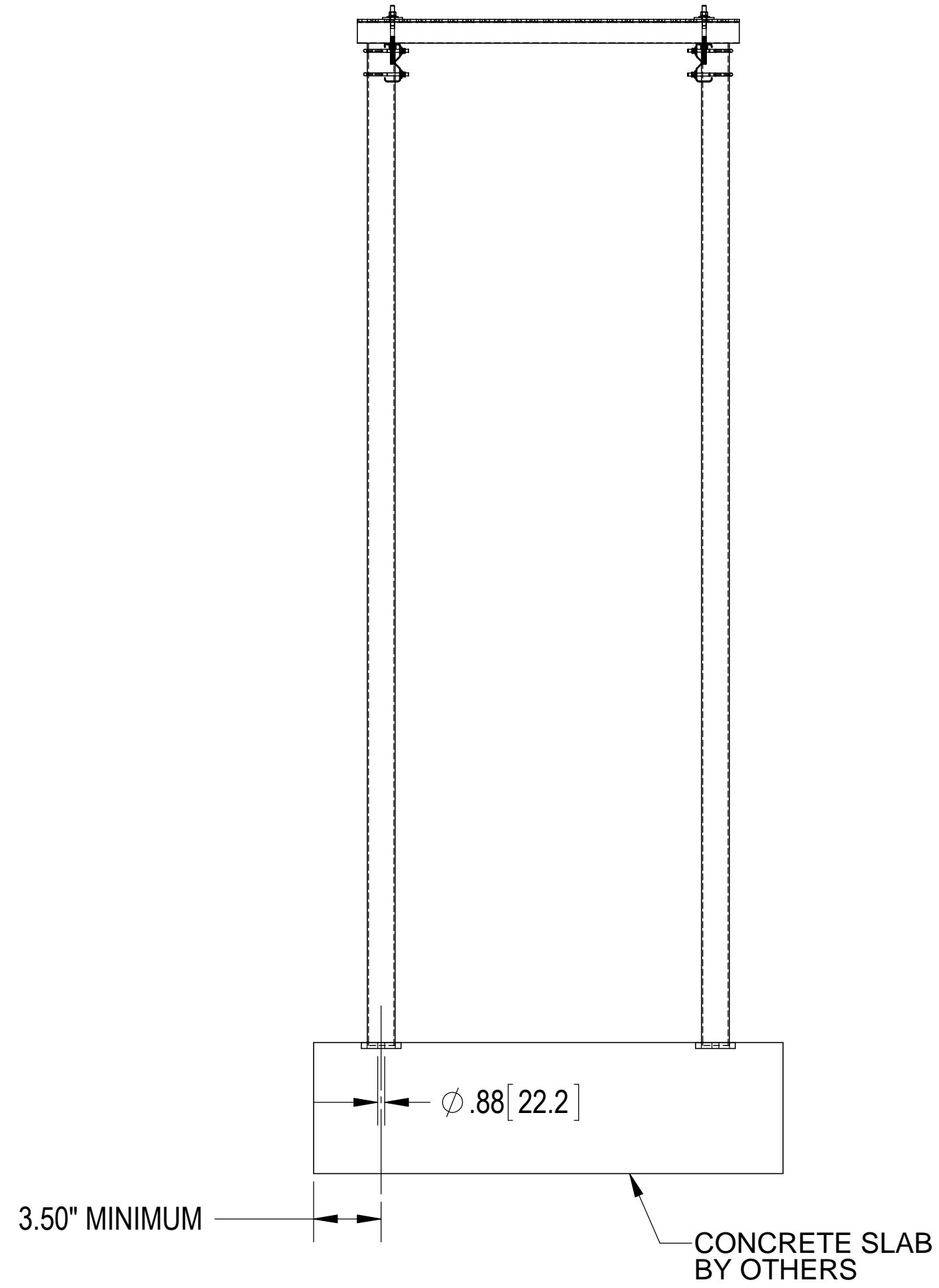
C

B


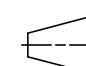
B

A

A



© 2015 CommScope, Inc. Confidential

COMMSCOPE, INC. OF NORTH CAROLINA				
TITLE				
ICE CANOPY, 2 POSTS				
SIZE	SCALE	DOCUMENT NO.		
C	1:16	MTC401548C		
 	DRAWING			SHEET
	VERSION	STATUS	REVISION	2 OF 2
			A	

4

3

2

1