

4

3

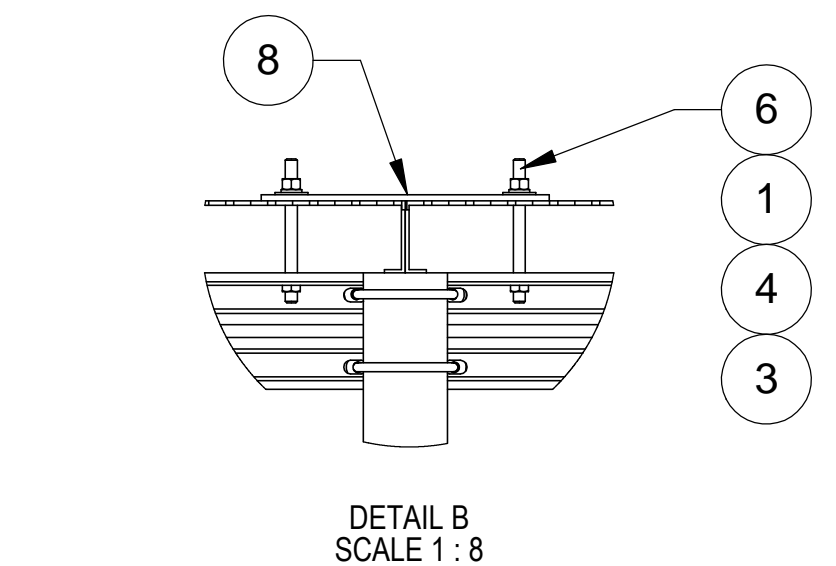
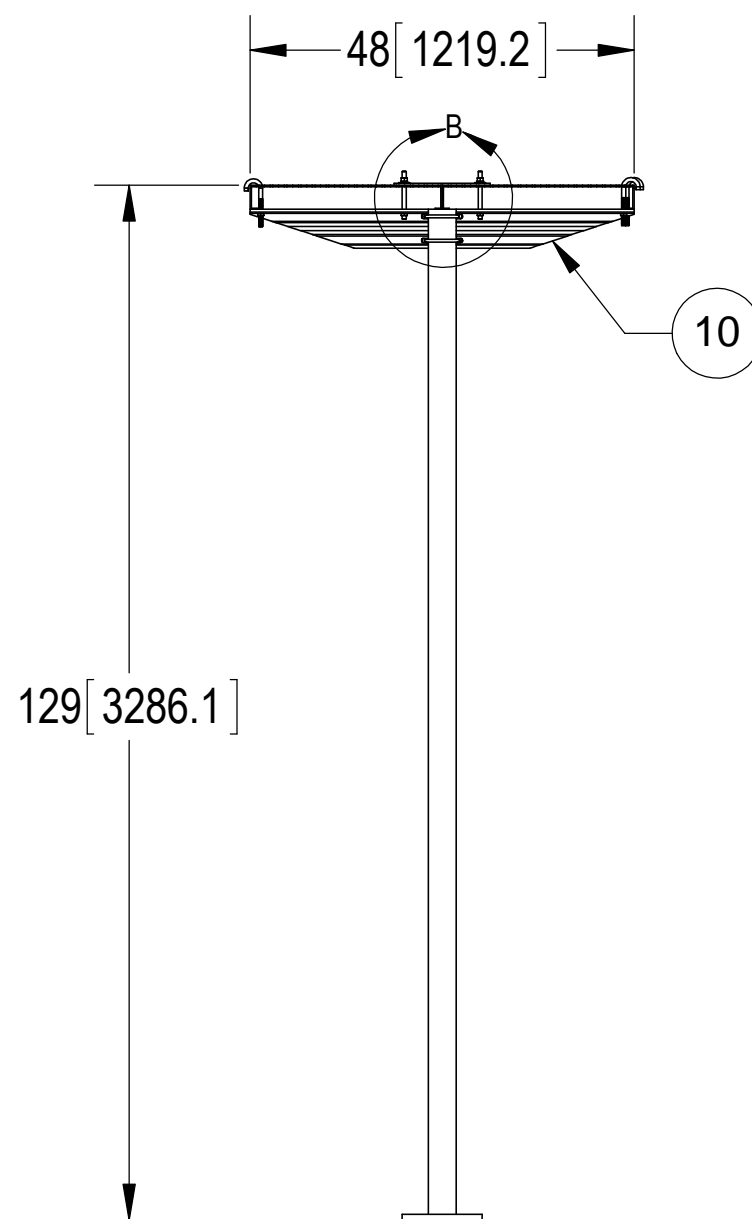
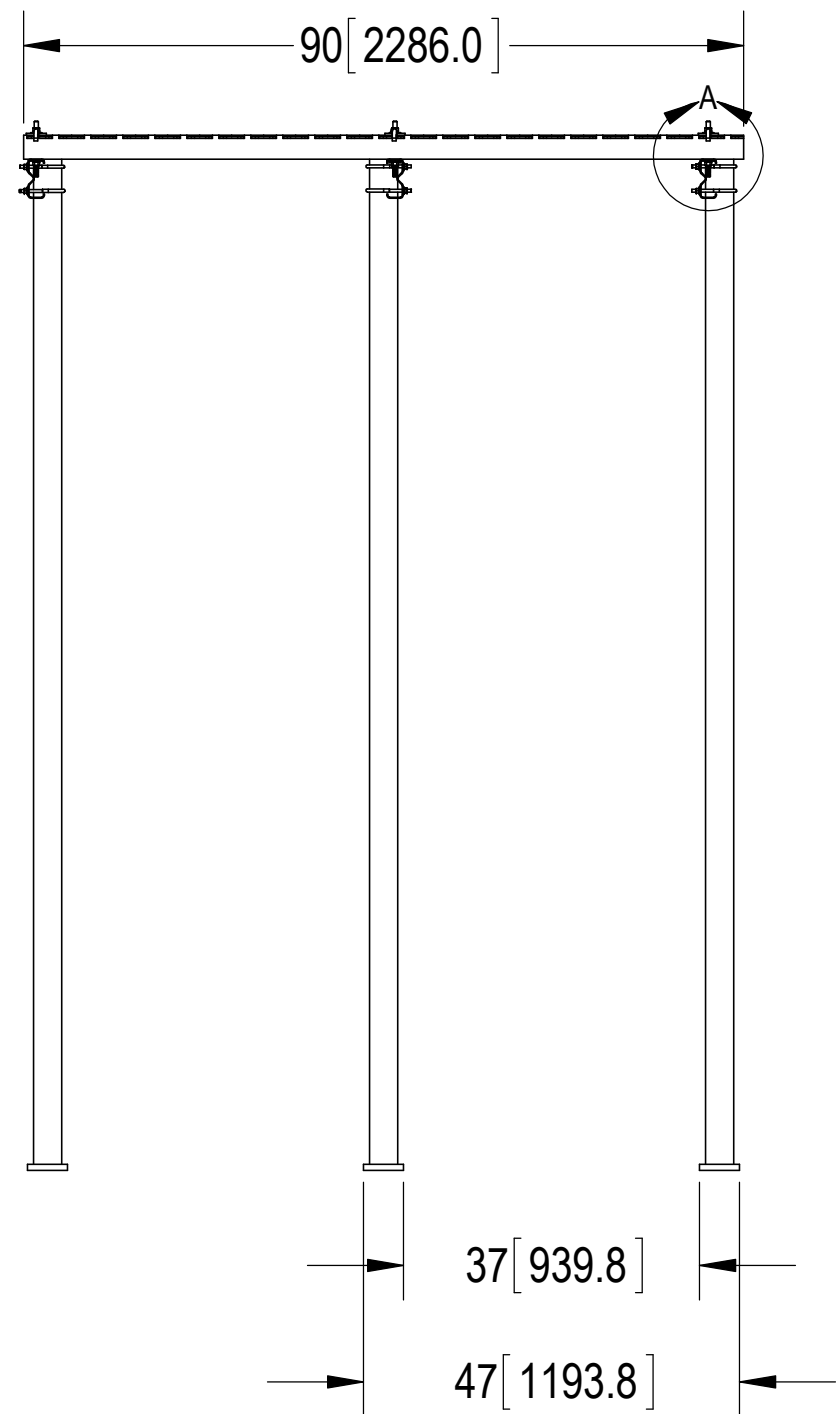
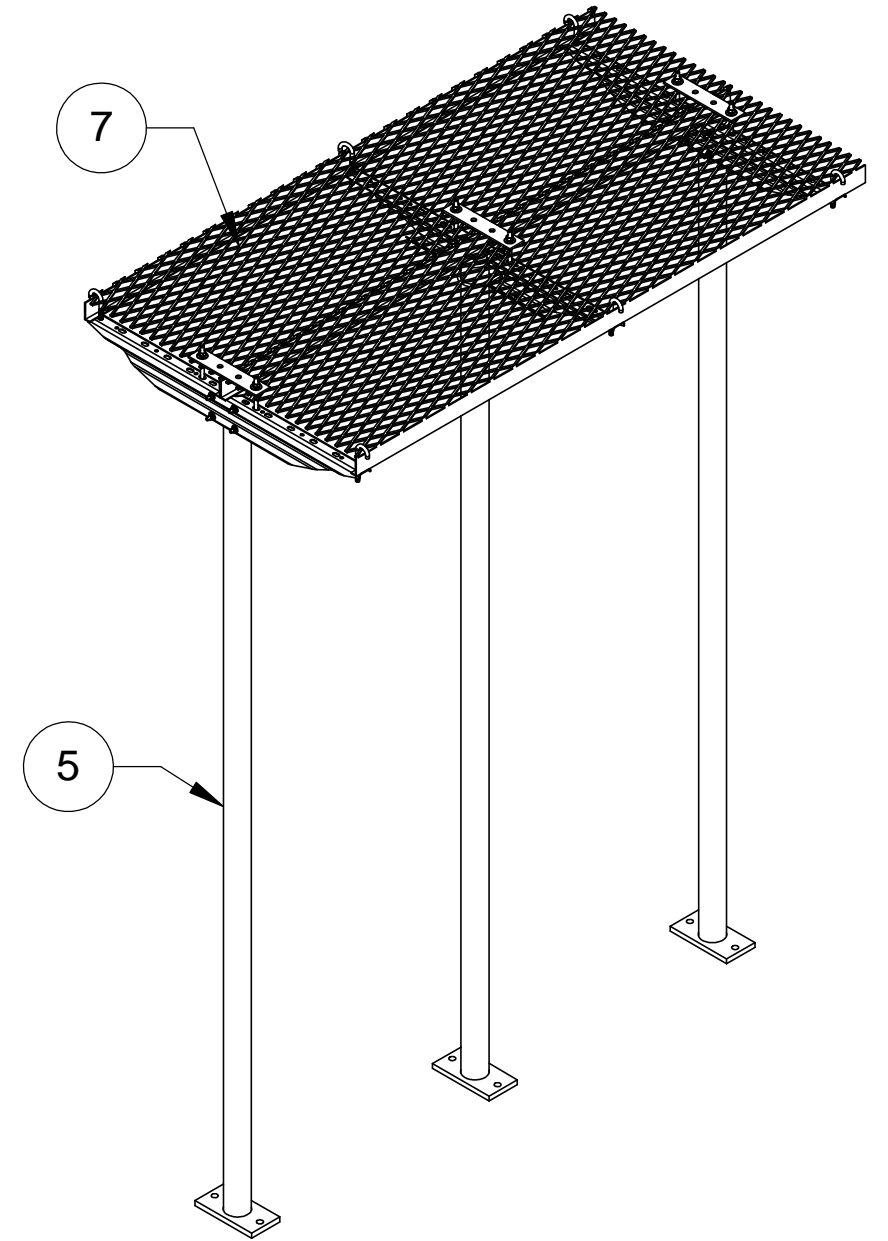
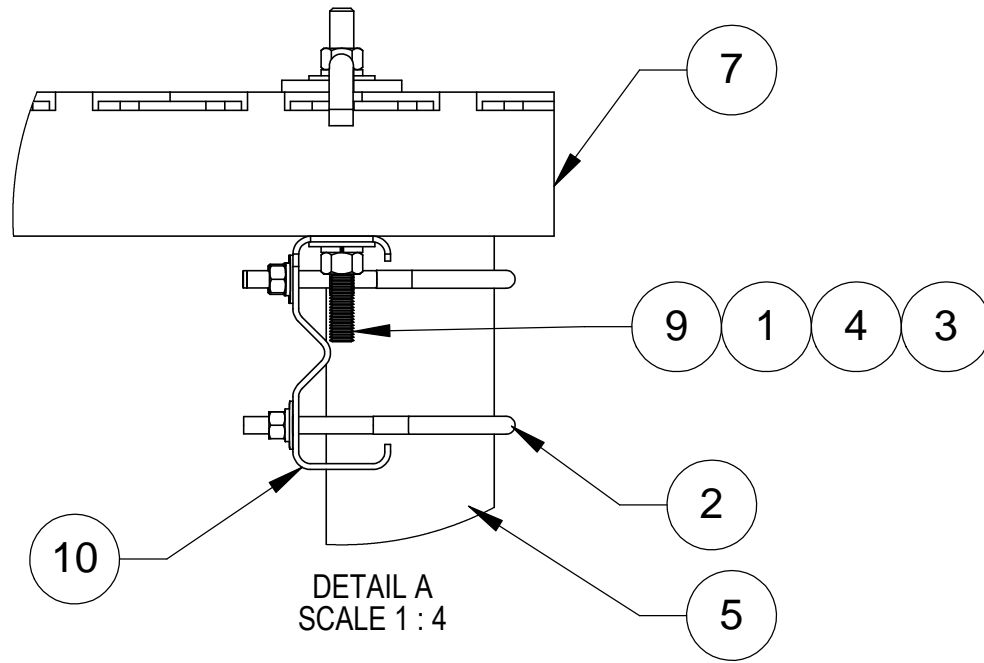
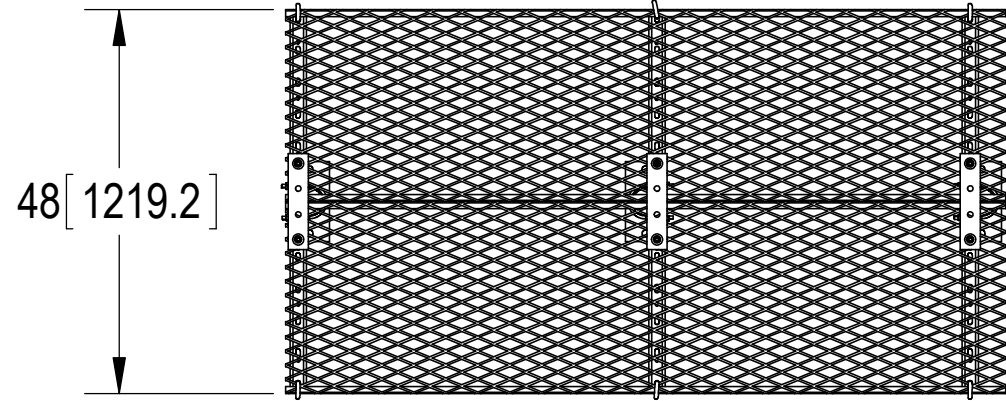
2

1

NOTES:

1.0 ALL METRIC DIMENSIONS ARE IN BRACKETS.

REVISIONS				
REV.	ECN	DESCRIPTION	BY	DATE
A	8000028694	INITIAL RELEASE	MRC	03/01/18



ITEM	PART NO.	DESCRIPTION	QTY.	WEIGHT	NOTE NO.
1	GN-04	1/2" GALV HEX NUT	18	0.04 LBS	
2	GUB-3355	3/8" X 3-5/8" X 5-1/4" GALV U-BOLT	6	0.40 LBS	
3	GWF-04	1/2" GALV FLAT WASHER	18	0.03 LBS	
4	GWL-04	1/2" GALV LOCK WASHER	18	0.01 LBS	
5	MF12616510	PIPE COLUMN KIT	3	69.59 LBS	
6	MT-379-6	1/2" X 6" GALV THREADED ROD	6	0.33 LBS	
7	MTC401511	SAFETY GRATING 24" X 90"	2	88.80 LBS	
8	SB4	SPLICE PLATE, 4 HOLES	3	2.01 LBS	
9	WBJB6	1/2" J-BOLT	6	0.41 LBS	
10	WBLB48301	48" WAVE GUIDE BRIDGE SUPPORT BRACKET	3	10.91 LBS	

**COMMScope, INC. OF NORTH CAROLINA**

TOLERANCES		SAP MATERIAL MASTER	
0 PLACE X ± .25	2 PLACE .XX ± .06	<b>MTC401590C</b>	
1 PLACE .X ± .12	ANGLES ± 2°		
FINISH		MATERIAL	
<b>GALV A123</b>		<b>A500, A1011/1018</b>	
UNLESS OTHERWISE SPECIFIED DIMENSIONS ARE IN MILLIMETERS INTERPRET PER ISO STANDARDS HANDBOOK TECHNICAL DRAWINGS VOLUMES 1 & 2, THIRD EDITION (2002)	CE	NAME	DATE
	RW	<b>MRC</b>	11/13/17
	RV		
	AD		
	RE	<b>TP</b>	11/13/17
ECN	<b>8000028694</b>	SCALE	DOCUMENT NO.
		<b>1:24</b>	<b>MTC401590C</b>
SIZE	WORK AREA	MODEL	DRAWING
<b>C</b>		VERSION	STATUS
		REVISION	VERSION
		REVISION	STATUS
		REVISION	REVISION
			<b>A</b>
			SHEET
			1 OF 2

4

3

2

1

NOTES:

1.0 ALL METRIC DIMENSIONS ARE IN BRACKETS.

D

D

C

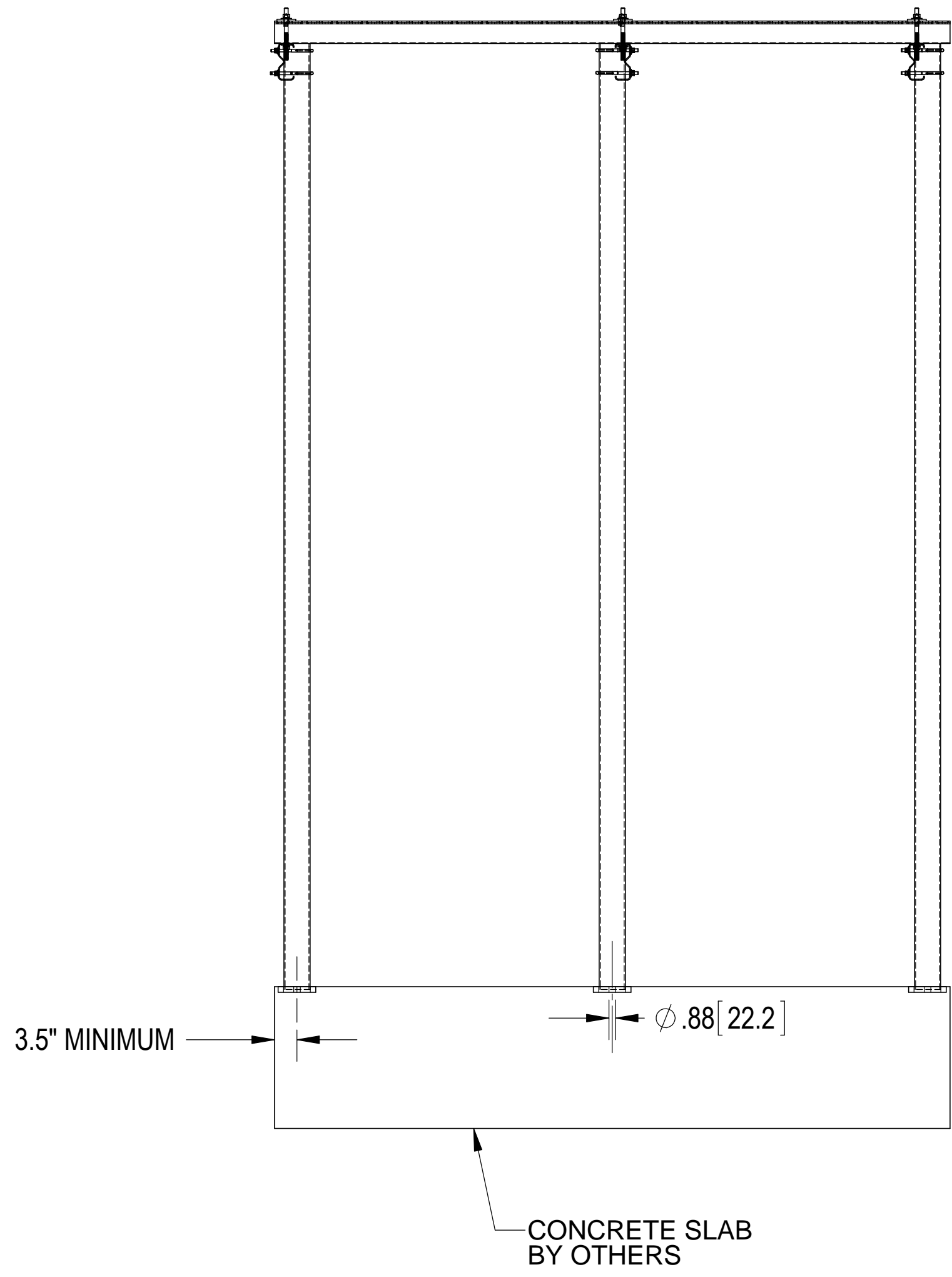
C

B


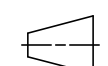
B

A

A



© 2015 CommScope, Inc. Confidential

COMMSCOPE, INC. OF NORTH CAROLINA				
TITLE <b>ICE CANOPY, 3 POSTS</b>				
SIZE <b>C</b>	SCALE <b>1:16</b>	DOCUMENT NO. <b>MTC401590C</b>		
 		DRAWING		SHEET
		VERSION	STATUS	REVISION
		A		

4

3

2

1