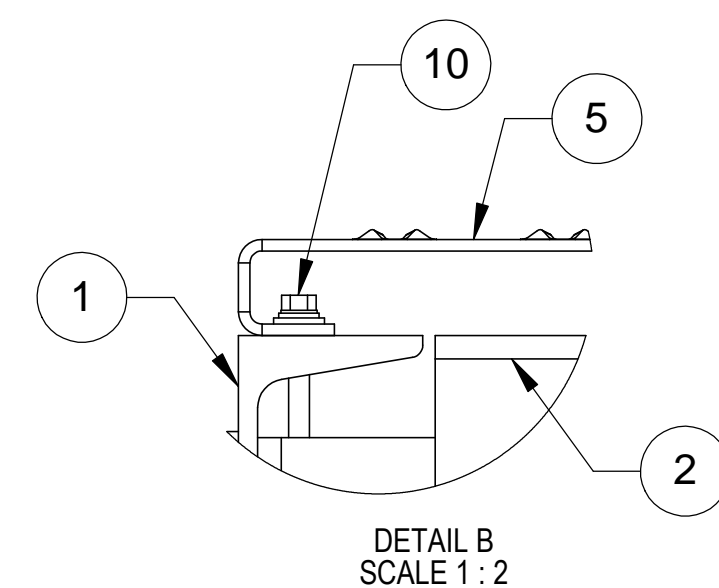
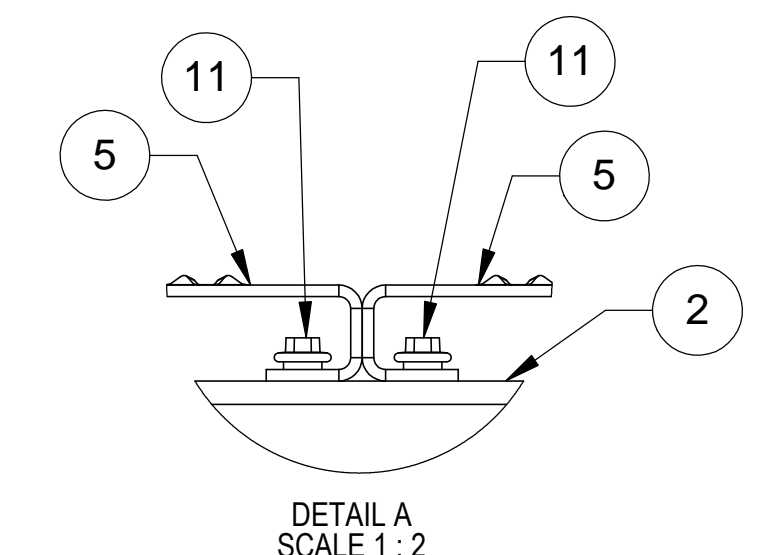
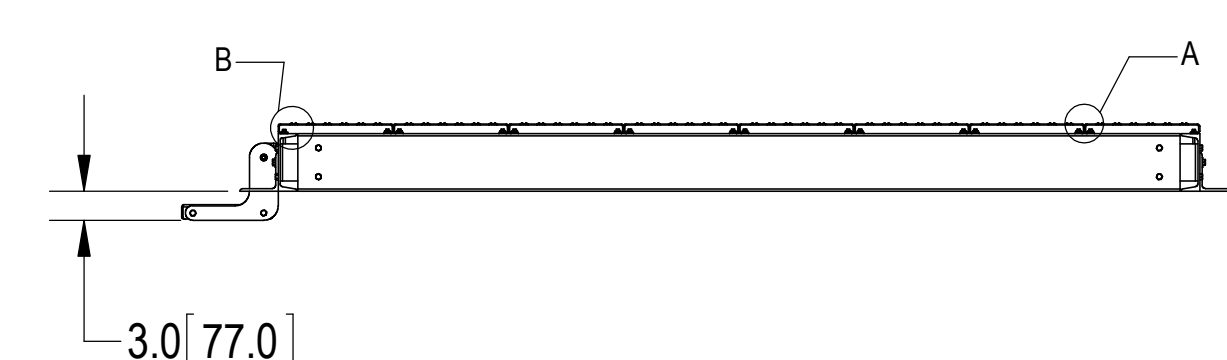
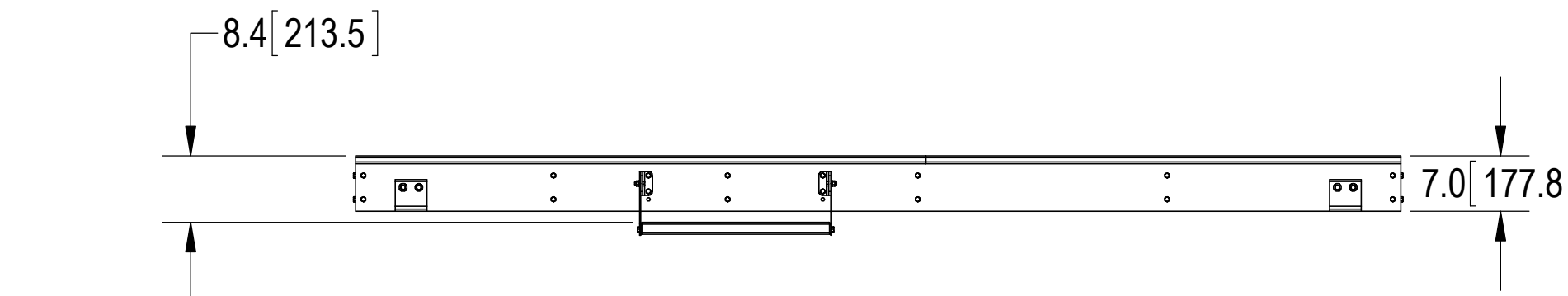
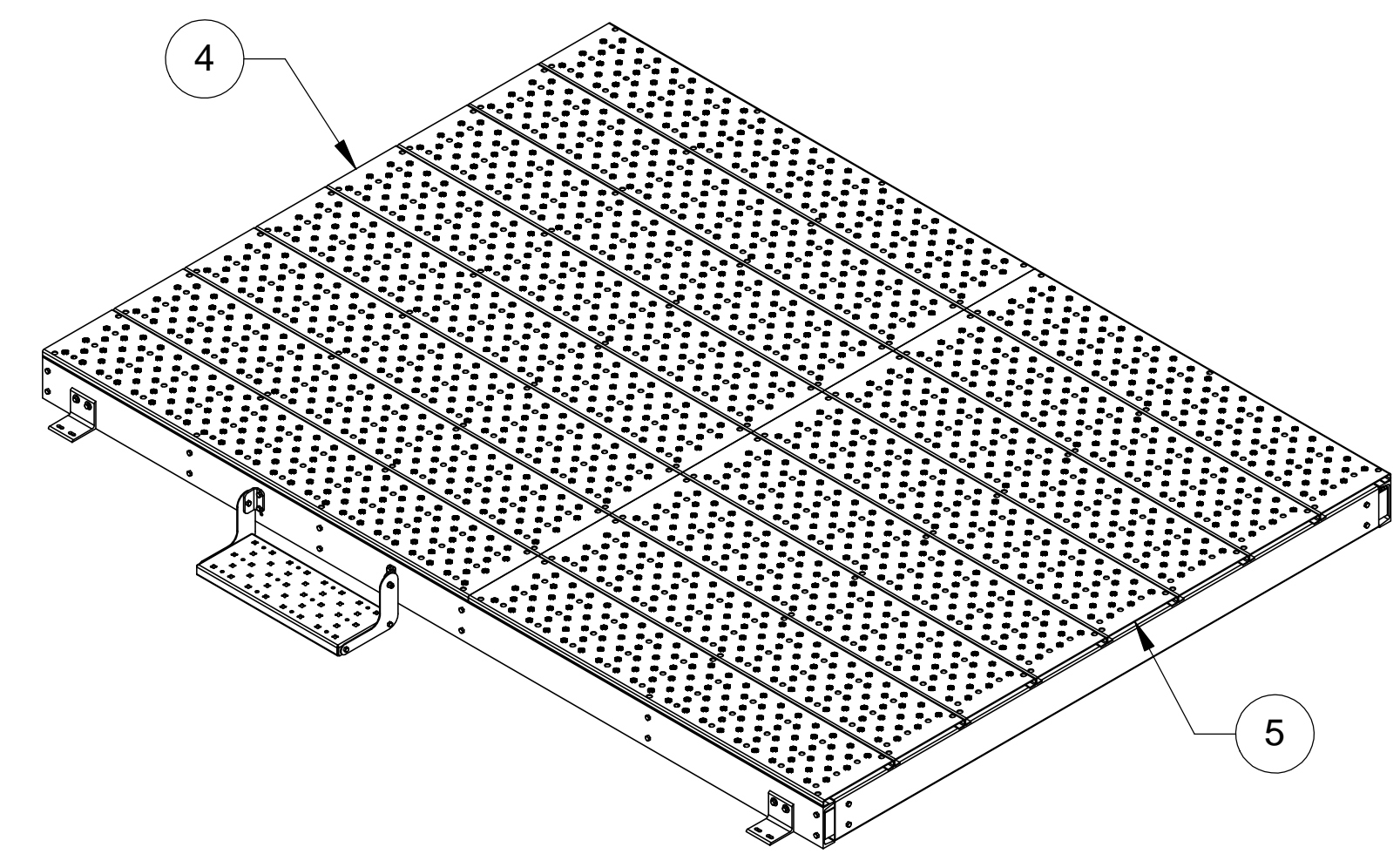
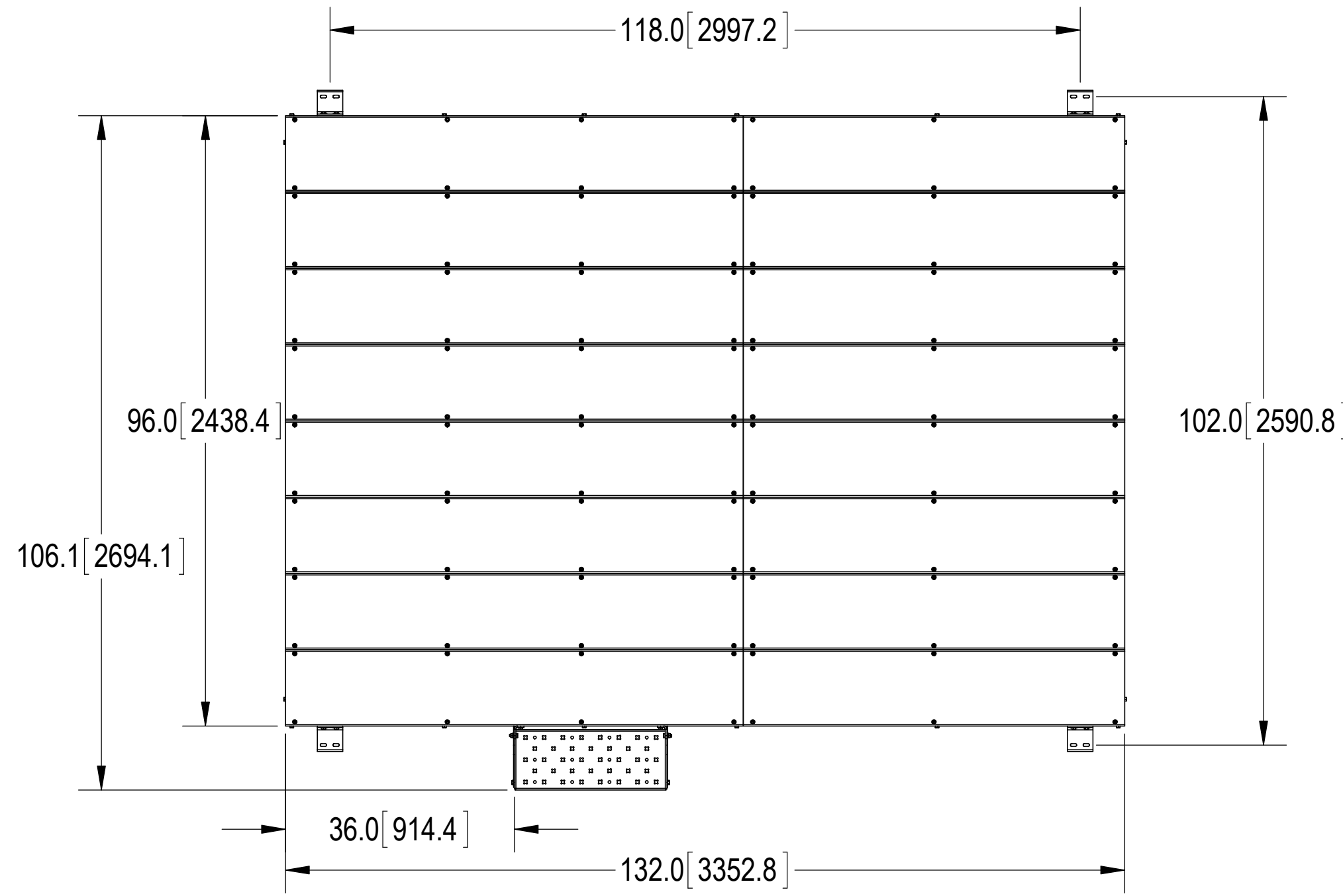


NOTES:  
1.0 ALL METRIC DIMENSIONS ARE IN BRACKETS.

| REVISIONS |            |                 |     |          |
|-----------|------------|-----------------|-----|----------|
| REV.      | ECN        | DESCRIPTION     | BY  | DATE     |
| A         | 8000028419 | INITIAL RELEASE | RJC | 02/20/18 |

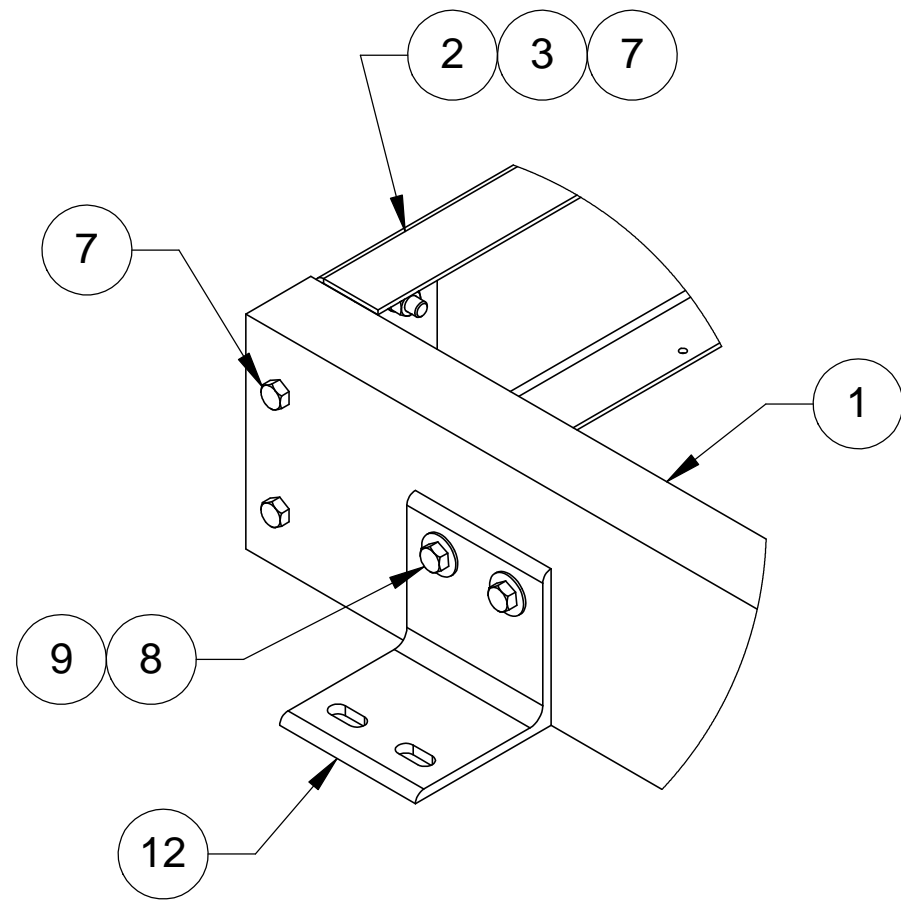


| ITEM | PART NO.  | DESCRIPTION                               | QTY. | WEIGHT    | NOTE NO. |
|------|-----------|---|------|-----------|----------|
| 1    | MTC398903 | CHANNEL, 11' PLATFORM                     | 2    | 90.51 LBS |          |
| 2    | MTC398904 | CHANNEL, FORMED 6" X 8' PLATFORM          | 7    | 28.99 LBS |          |
| 3    | MTC398905 | BRACKET, CHANNEL ADAPTER                  | 12   | 0.82 LBS  |          |
| 4    | MTC398972 | DECK, FORMED                              | 8    | 35.60 LBS |          |
| 5    | MTC398960 | DECK, 5' FORMED                           | 8    | 29.70 LBS |          |
| 6    | MTC3922S  | STEP FOR LIGHT DUTY PLATFORM              | 1    | 15.01 LBS |          |
| 7    | GB-03105  | 3/8" X 1" GALV BOLT KIT                   | 48   | 0.05 LBS  |          |
| 8    | GB-03145  | 3/8" X 1-1/2" GALV BOLT KIT               | 12   | 0.07 LBS  |          |
| 9    | GWF-03    | 3/8" FLAT WASHER                          | 8    | 0.01 LBS  |          |
| 10   | TS1220    | 12-24 X 2" SELF DRILLING SCREW            | 14   | 0.03 LBS  |          |
| 11   | TS1275    | TEK SCREW #12 X 3/4, WITH NEOPRENE WASHER | 98   | 0.02 LBS  |          |
| 12   | MTC398703 | BRACKET, PIER MOUNTING                    | 4    | 2.08 LBS  |          |

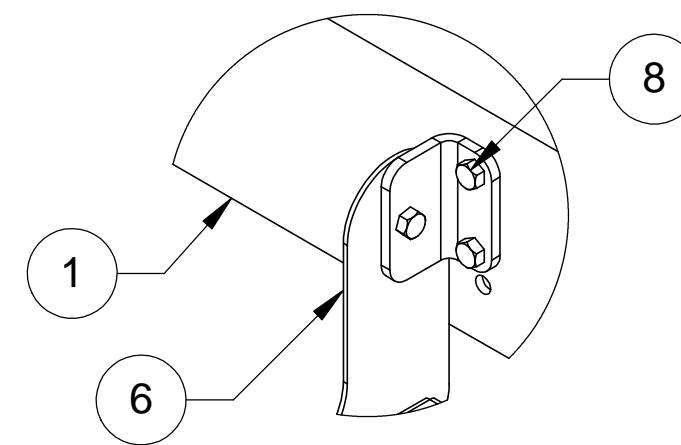
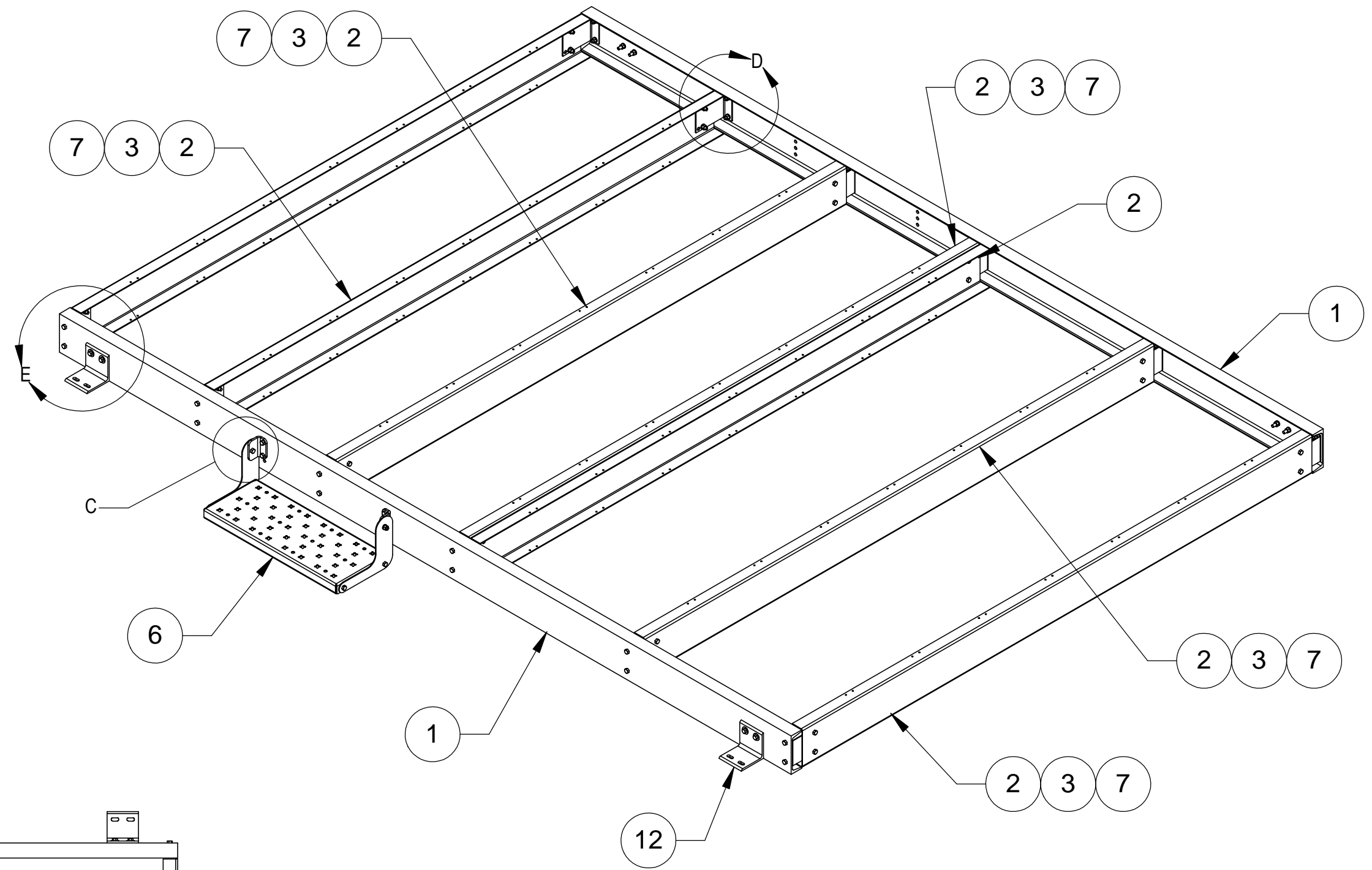
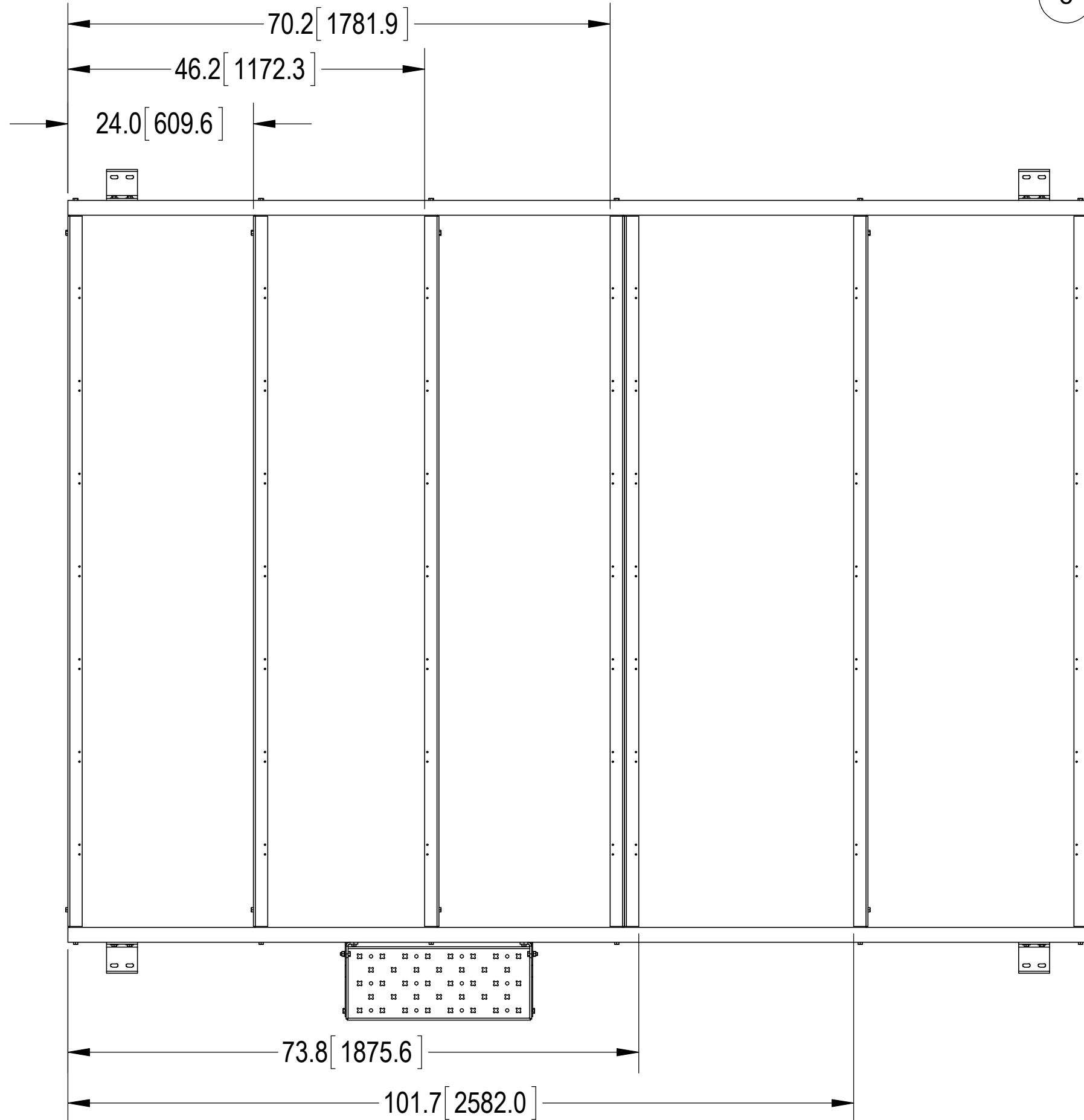
**COMMScope, INC. OF NORTH CAROLINA**

|  |                   |                          |  |
|--|-------------------|--------------------------|--|
| TOLERANCES   |                   | SAP MATERIAL MASTER      |  |
| 0 PLACE X ± .25  | 2 PLACE .XX ± .06 | <b>MTC4018PF</b>         |  |
| 1 PLACE .X ± .12   | ANGLES ± 2°       |                          |  |
| FINISH   |                   | MATERIAL                 |  |
| <b>GALV A123</b>   |                   | <b>A1011/A1018, A529</b> |  |
| UNLESS OTHERWISE SPECIFIED DIMENSIONS ARE IN MILLIMETERS INTERPRET PER ISO STANDARDS HANDBOOK TECHNICAL DRAWINGS VOLUMES 1 & 2, THIRD EDITION (2002) |                   | NAME                     | DATE                                       |
| CE   | RJC               | 11/14/17                 | TITLE                                      |
| RW   |                   |                          | <b>8' X 11' PLATFORM, PIER ATTACHMENTS</b> |
| AD   |                   |                          |  |
| RE   | TP                | 11/14/17                 | SCALE                                      |
| ECN  | 8000028419        |                          | DOCUMENT NO.                               |
|  |                   |                          | <b>1:20 MTC4018PF</b>                      |
| SIZE   | WORK AREA         | MODEL                    | DRAWING                                    |
| <b>C</b>   |                   | VERSION                  | STATUS                                     |
|  |                   | REVISION                 | VERSION                                    |
|  |                   | REVISION                 | STATUS                                     |
|  |                   | REVISION                 | REVISION                                   |
|  |                   |                          | <b>A</b>                                   |
|  |                   |                          | SHEET                                      |
|  |                   |                          | <b>1 OF 2</b>                              |

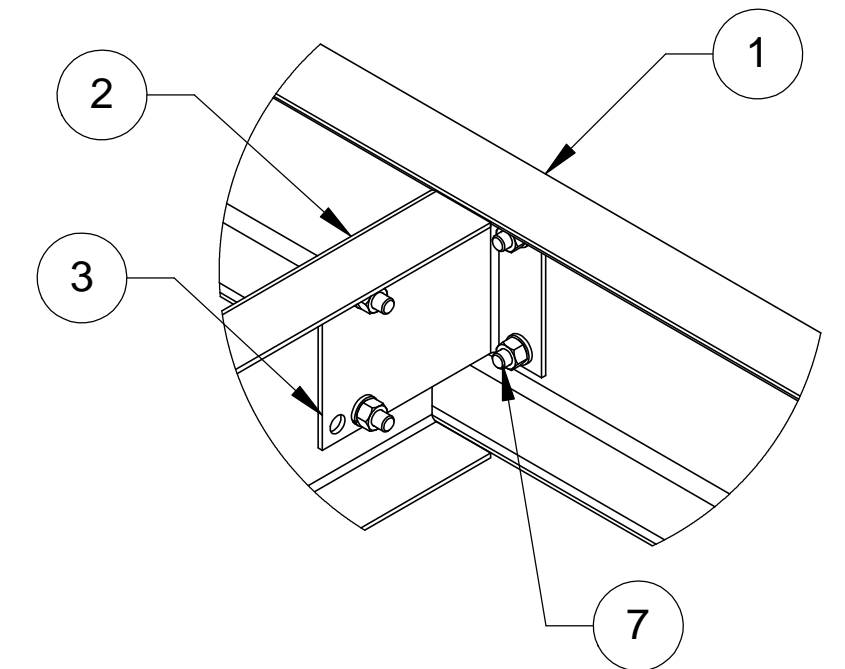
NOTES:  
1.0 ALL METRIC DIMENSIONS ARE IN BRACKETS.



DETAIL E  
SCALE 1:4



DETAIL C  
SCALE 1:4



DETAIL D  
SCALE 1:4

|   |                      |                                  |        |                 |
|---|----------------------|----------------------------------|--------|-----------------|
| COMMSCOPE, INC. OF NORTH CAROLINA                   |                      |                                  |        |                 |
| TITLE<br><b>8' X 11' PLATFORM, PIER ATTACHMENTS</b> |                      |                                  |        |                 |
| SIZE<br><b>C</b>                                    | SCALE<br><b>1:15</b> | DOCUMENT NO.<br><b>MTC4018PF</b> |        |                 |
| DRAWING   |                      | VERSION                          | STATUS | REVISION        |
|   |                      |                                  |        | <b>A</b>        |
|   |                      |                                  |        | SHEET<br>2 OF 2 |