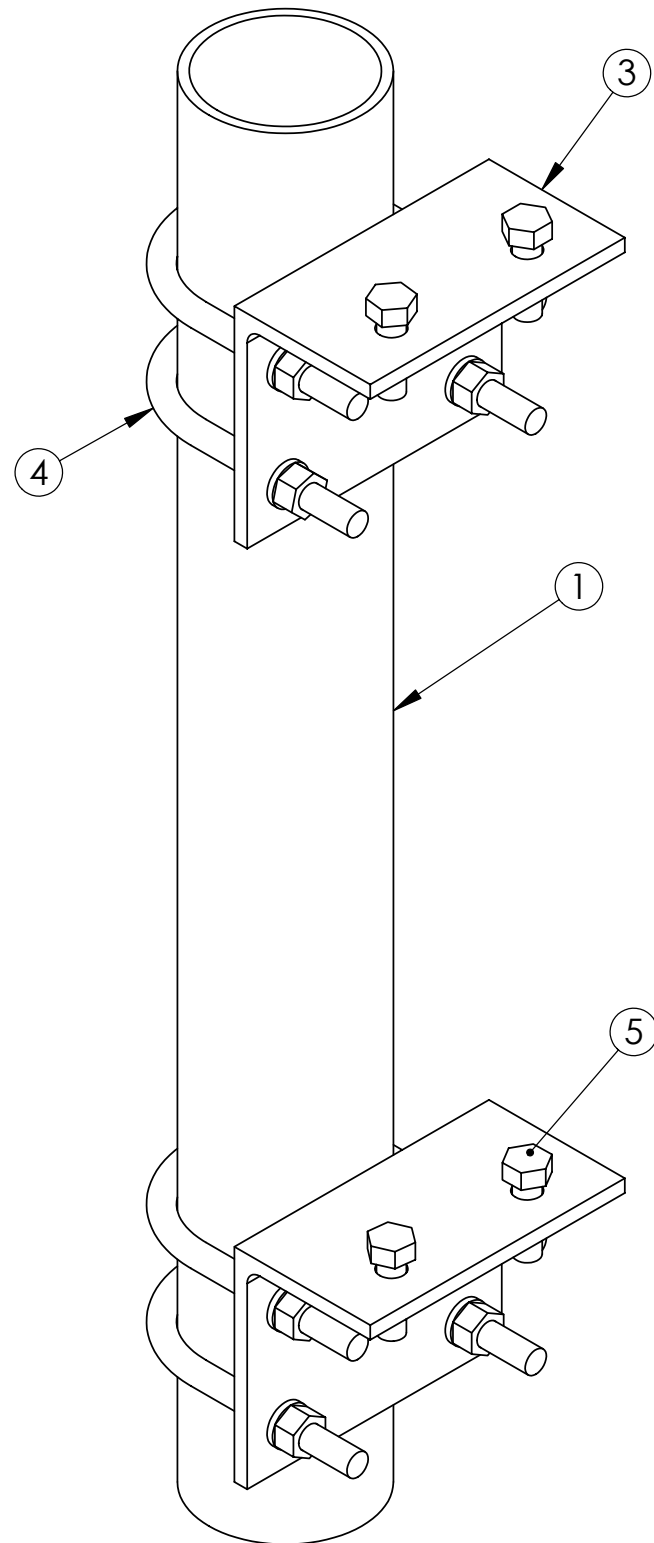



ITEM NO.	PART NO.	DESCRIPTION	QTY.	WEIGHT
1	MT-XXX	PLAIN END PIPE (SEE TABLE)	1	
2	PM-412-B	BASE KIT ITEM#3 - 5	1	
3	PM412.01	4-1/2" PIPE MOUNT	2	7.49
4	GUB-5456	5/8" X 4-5/8" X 6-1/2" GALV U-BOLT	4	1.53
5	GB-0520A	5/8" X 2" GALV BOLT (A325)	4	0.27

REVISIONS				
REV.	ZONE	DESCRIPTION	BY	DATE
A		INITIAL RELEASE	AW	11/10/04

BASE KIT WEIGHT: 23.32lbs



CATALOG NO.	PIPE PART NO.	DESCRIPTION	WEIGHT
PM-412-48	MT-653	PLAIN END PIPE 4-1/2" OD x 48"	44
PM-412-63	MT-653-63	PLAIN END PIPE 4-1/2" OD x 63"	57
PM-412-96	MT-654-96	PLAIN END PIPE 4-1/2" OD x 96"	88

These drawings and specifications are the proprietary property of ANDREW CORPORATION and may be used only for the specific purpose authorized in writing by Andrew Corporation.  ALL DIMENSIONS ARE IN INCHES U.O.S. TOLERANCES UNLESS OTHERWISE SPECIFIED: .X = .06      ANGLES 2° .XX = .03      FRACTIONS 1/32 .XXX = .010  REMOVE BURRS AND BREAK EDGES .005  DO NOT SCALE THIS PRINT	DRAWN BY: AW	SHEET: 1 of 1	PART NUMBER: PM-412 SERIES
	CHECKED BY: TP	SCALE: NTS	DESCRIPTION: 4- 1/2" PIPE MOUNT SERIES
	DATE: 11/10/04	MATERIAL: A36	DRAWING TYPE: ASSEMBLY DRAWING
	REVISION: A	FINISH: GALV A123	 ORLAND PARK, IL. 60462 U.S.A.
	WEIGHT: -		